

POWERPLAY™

---



-ENG-FR-GER-IT

## Table of contents

---

Introduction	1	Riding the bike	18
Register	1	Battery	21
Warning	2	Motor	27
Shrediquette	3	Rider screens	31
Getting to know your bike	4	Reset	33
Basic Setup	7	Service	35
Spring Chart	8	Cable routing	37
Shock eyelet bearing	11	Brake hose	40
RIDE-4	12	General maintenance	43
Critical dimensions	13	Transport	45
Images	14	Warranty information	46
Jumbotron	17	Declaration of conformity	48
Display	17	Patterns	49

## Table des matières

---

Introduction	51	Utilisation du vélo	68
Enregistrement	51	Batterie	71
Avertissements	52	Moteur	77
Étiquette de la montagne	53	Écran du rider	81
Survol de votre vélo	54	Réinitialisation	83
Configuration de base	57	Entretien	85
Tableaux de ressorts	58	Passage des câbles	87
Paliers d'amortisseur à oeillet	61	Câble de frein	90
RIDE-4	62	Entretien général	93
Guide des dimensions	63	Transport	95
Images	64	Garantie	96
Jumbotron	67	Déclaration de conformité	98
Écran	67	Brevets	99

# Inhaltsverzeichnis

---

Einleitung	101	Einstellung der Unterstützung	118
Registrieren	101	Akku	120
Warnungen	102	Motor	127
Verhaltensregeln	103	Fahrerbildschirme	131
Lerne Dein Bike Kennen	104	Zurücksetzen	133
Grundeinstellung	107	Service	135
Federtabelle	108	Kabelführung	137
OcchielloAmmortizzatore	111	Bremsleitung	140
RIDE-4	112	Allgemeine Wartung	143
Wichtige Abmessungen	113	Transport	145
Bilder	114	Garantieinformationen	146
Jumbotron	117	Konformitätserklärung	148
Anzeige	117	Patente	149

# Indice

---

Introduzione	151	Uso della bicicletta	168
Registrazione	151	Batteria	171
Avvertenze	152	Motore	177
Shrediquette	153	Schermate di guida	181
Conoscere La Tua Bicicletta	154	Reimpostazione	183
Configurazione Di Base	157	Interventi	185
Tabella Molle	158	Passaggio dei cavi	187
Occhiello Ammortizzatore	161	Tube del freno	190
RIDE-4	162	Manutenzione generale	193
Guida Alle Misure	163	Trasporto	195
Immagini	164	Informazioni sulla garanzia	196
Jumbotron	167	Dichiarazione di conformità	198
Display	167	Brevetti	199

## Introduction

---

This manual contains important safety, maintenance, and use information. Be sure to read it carefully and understand it thoroughly before your first ride on your new Powerplay™ bicycle.

This material applies only to the Powerplay™ Drive and should be used in conjunction with your Rocky Mountain Owner's Manual.

Please read the Owner's Manual before your first ride on your Powerplay™ bicycle. If you do not have a copy of your Owner's Manual, you can get it from your nearest authorized Rocky Mountain dealer.

## Register

---

Registering your bike is the official way for us to welcome you into the Rocky Mountain family. It's also an important step in activating your bike's warranty. If you ever have an issue, we'll be able to handle your case efficiently and get you back riding as soon as possible. It's easy and only takes a few minutes.

Register your bike: [bikes.com/register](https://bikes.com/register)

## Warnings

---

### **Power**

Your Powerplay™ bicycle features a powerful pedal assist when force is applied to the pedals. Familiarize yourself with your bike's ride and pedal assist characteristics in safe, flat surroundings before riding it off road.

### **Instant start**

Your Powerplay™ bicycle features "Instant Start" technology, which uses a sophisticated torque sensing circuit to deliver smooth, instant, natural feeling power. This circuit is very sensitive, so care must be taken to ensure the bike does not accelerate from a stop in an unexpected or uncontrolled manner.

### **Use caution on trails**

Your Powerplay™ bicycle accelerates more quickly and handles differently than traditional non-assist bicycles. Use appropriate caution on trails and be aware of your bike's unique handling and acceleration characteristics.

### **Keep your fingers away**

Do not place your fingers or tools near the Drive unit. Maintenance and repair of the drive unit should only be performed by an Authorized Rocky Mountain Service Centre.

### **Do not modify**

Do not modify the Powerplay™ Drive unit or any components directly connected to the drive unit. Maintenance and repair of the drive unit should only be performed by an Authorized Rocky Mountain Service Centre. Any attempt to modify the Powerplay™ Drive unit may result in serious personal injury or death, and will immediately void the bicycle's warranty.

# Shrediquette

---

## Users

Always be courteous to other trail users. Use extra caution around domestic animals, such as dogs and horses. Give other trail users right-of-way in all situations, during both climbing and descending.

## Trail

Only ride your Powerplay™ bicycle on trails and paths sanctioned for motorized vehicle use. Follow all local laws and regulations. As with all trail users, care should be taken by all cyclists to avoid impacts to the trail or environment. Do not skid on or modify trails.

## Getting to know your bike



### Technical details

- Reduced size and weight
  - The Dynamine 4.0 motor is 18.5% lighter than the previous generation, Dynamine 3.0.
  - We've given our motor a weight reduction while also increasing reliability. The Dynamine 4.0 motor features oversized bearings for increased drive durability.
- A quiet drive system
  - The Dynamine 4.0 features a reduced motor rpm that lowers the amount of the electrical whine compared to other systems.
  - We've removed the upper chain slider that was seen on the Dynamine 3.0 drive system to reduce the mechanical noise, as well as the drag when pedalling.
- A responsive, natural power delivery
  - Our system's torque sensor reads the tension that is being applied directly to the chain, and removes unwanted lag time to give an instantaneous and natural response when the power is applied.
  - We've developed a new torque curve that is designed to gradually apply power that achieves a maximum power of 770w at optimal cadence (85rpm). By having a variable power curve, you'll have more control of your bike on the trail including scenarios like steep, technical hill starts.
- Torque and power
  - The Dynamine 4.0 drive system packs the same 108Nm of class-leading torque that the Dynamine 3.0 brought to our previous generation of bikes.
  - Our drive system has 770W of peak output, meaning that more watts are delivered when you really need them.
- Jumbotron
  - The Jumbotron is our display screen, seamlessly integrated into the top tube of our new Powerplay bikes. Positioned to show all key data and information in a convenient, easy to see location, the screens can be navigated through using the handlebar remote or the buttons on the Jumbotron itself.
- Battery Size
  - We've increased the capacity of the Powerplay battery from 672Wh to 720Wh, allowing you to spend more time riding.

## Getting to know your bike



### Technical details

- **Smaller Remote**
  - We've replaced the iWoc that was featured on our previous generation of Powerplay's with a new, smaller remote. Designed by us, our new remote has better ergonomics for you as the rider and is focused on keeping the cockpit clean and uncluttered. The smaller design also allows it to be used in combination with more shifter and brake options.
- **Charging**
  - We have a 4-amp charger and a 2-amp charger for the all-new Powerplay models, both of which quickly refuel your battery to get you back out there, faster. The less powerful of the two, the 2-amp charger, will charge the battery from 0-100% in 7 hours and 35 minutes which out paces the competition.
- **Mid-High Pivot Kinematics and Wheelpath**
  - Our revised suspension design features a mid-high main pivot location that seamlessly integrates with our Dyname 4.0 drive. The kinematics have better support in both leverage rate and anti-squat, this translates to smoother power delivery to the ground with less energy loss. The mid-high main pivot also creates a more rearward wheel trajectory which all but eliminates small to medium trail chatter.
- **RIDE-4 adjustment system**
  - The RIDE-4 adjustment system allows riders to quickly fine-tune their geometry and suspension with a single Allen key. Four configurations are possible thanks to two small chips.
- **Adjustable Chainstay Length**
  - The chainstay length is adjustable by 10mm, achieve by flipping the axle chips and 200mm direct mount brake adapter. The short position encourages a playful and agile setting while the longer position favours high speed stability. The Rocky Mountain hanger is UDH compatible in the long position as well.
- **Secure and Internal Routing** - There are internal cable trays with secure tie downs to ensure a rattle free ride while making it easy to run cables and housing, even if you prefer a Moto-Style setup with the front brake on the right hand side.



## Getting to know your bike



### Technical details

- Added protection, guards, and chainguide
  - The frames feature downtube protection, noise cancelling chainstay protection, and downtube shuttle guards.
- Modular shock mount - Our modular shock mount, available only on the carbon models, allows for future suspension kinematic updates.
- Updated Pivot Design
  - Our chainstay and seatstay pivots feature dual bearings for increased stiffness and durability. There are shielded bearings featured on all pivots including at the lower shock mount (compatible with aftermarket shocks as well).

## Basic Setup

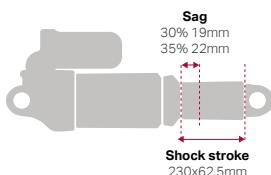
There are several variables that can be modified to fine-tune the setup of your suspension. These are some basic guidelines to get you in the ballpark, and you can experiment to see what suits you best from there. The first step is to set your sag. Sag refers to how much the suspension moves under just the weight of the rider (including all riding accessories). Air pressure or coil spring rate and preload is adjusted until the desired amount of sag is measured.

Please observe the minimum and maximum amount of preload recommended by the manufacturer for a given coil spring. If you need to change the spring rate, please note you must remove the eyelet bearings to remove the coil spring.

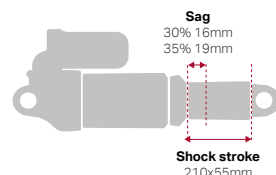
### Shock sag

We recommend approximately 30–35% sag for this platform.

#### ALTITUDE POWERPLAY



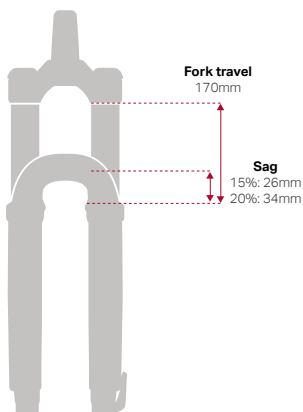
#### INSTINCT POWERPLAY



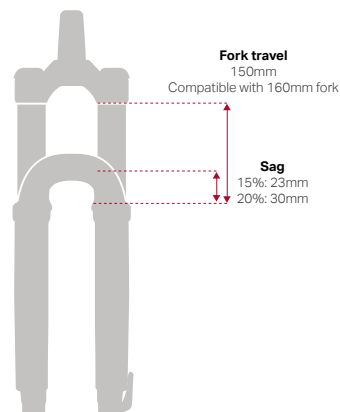
### Fork sag

We recommend approximately 15–20% sag for this platform.

#### ALTITUDE POWERPLAY



#### INSTINCT POWERPLAY



# Altitude Powerplay Spring Chart

## Rebound

Rebound damping adjustment controls how quickly your suspension returns to full extension after it hits a bump. Too much rebound damping, which means clicking the rebound knob towards the slow setting, the fork or shock will move too slowly. This will cause the suspension to sink deeper and deeper into its travel under repeated hits, which will feel harsh. Too little rebound damping, which means clicking the rebound knob towards the fast setting, and the suspension can spring back too quickly, causing a loss of traction and control. Follow the manufacturer's recommendations for base settings, and experiment to find your happy place.

## Compression

Low speed compression (LSC) controls rider weight shifts, pumping through terrain, G-outs, and other slow inputs. Too much LSC will result in a harsher ride feel; too little LSC will result in a ride feel that's too soft and unresponsive.

### 2022 ALTITUDE POWERPLAY 230x62.5 FOX DHX2 COIL SHOCK \*Count clicks from Closed: 0 Clicks = Closed\*

RIDER WEIGHT LBS / KG	STEEL SPRING WEIGHT	FOX SLS SPRING WEIGHT	SHOCK SAG	RECOMMENDED LSC SETTING *IF AVAILABLE	RECOMMENDED HSR SETTING	RECOMMENDED LSC SETTING	*RECOMMENDED HSC SETTING*
100 / 45	300	300	19 - 22 mm	10-11	6-7	14-15	6-7
110 / 50	300	325	19 - 22 mm	9-11	6-7	14-15	6-7
120 / 55	350	350	19 - 22 mm	8-9	6-7	14-15	6-7
130 / 59	350	375	19 - 22 mm	8-10	6-7	13-14	6-7
140 / 64	400	400	19 - 22 mm	6-7	5-6	12-13	5-6
150 / 68	400	425	19 - 22 mm	6-7	5-7	11-13	5-6
160 / 73 *Size MD	450	450	19 - 22 mm	5-6	4-5	9-10	5-6
170 / 77	450	475	19 - 22 mm	5-6	4-5	9-11	4-6
180 / 82 *Size LG	500	500	19 - 22 mm	4-5	4-5	9-10	4-5
190 / 86	500	525	19 - 22 mm	4-5	3-5	7-9	3-4
200 / 91 *Size XL	550	550	19 - 22 mm	3-4	3-4	6-7	3-4
210 / 95	600	Not Available	19 - 22 mm	2-3	2-3	5-6	2-3
220 / 100	600		19 - 22 mm	2-3	2-3	5-6	2-3
230 / 105	650		19 - 22 mm	1-2	1-2	4-5	1-2
240 / 109	700		19 - 22 mm	1-2	0-1	3-4	0-1
250 / 114	Not Available		19 - 22 mm	Not Available	Not Available	Not Available	Not Available

### 2022 ALTITUDE POWERPLAY 230x62.5 FOX FLOAT X2 AIR SHOCK \*Count clicks from Closed: 0 Clicks = Closed\*

RIDER WEIGHT LBS / KG	FOX FLOAT X2 PSI	SHOCK SAG	RECOMMENDED LSR SETTING	RECOMMENDED HSR SETTING	RECOMMENDED LSC SETTING	RECOMMENDED HSC SETTING
100 / 45	135	19 - 22 mm	11-14	5-6	14-16	6-7
110 / 50	145	19 - 22 mm	11-13	5-6	14-16	6-7
120 / 55	155	19 - 22 mm	10-12	5-6	13-15	6-7
130 / 59	165	19 - 22 mm	9-11	4-5	13-15	6-7
140 / 64	175	19 - 22 mm	8-10	4-5	12-14	5-6
150 / 68	190	19 - 22 mm	7-9	4-5	11-13	5-6
160 / 73	200	19 - 22 mm	7-9	3-4	10-12	5-6
170 / 77	210	19 - 22 mm	6-8	3-4	9-11	4-5
180 / 82	220	19 - 22 mm	6-8	3-4	8-10	4-5
190 / 86	230	19 - 22 mm	5-7	2-3	7-9	4-5
200 / 91	240	19 - 22 mm	4-6	2-3	6-8	4-5
210 / 95	255	19 - 22 mm	3-5	2-3	5-7	3-4
220 / 100	265	19 - 22 mm	2-4	2-3	4-6	3-4
230 / 105	275	19 - 22 mm	2-4	1-2	2-4	3-4
240 / 109	285	19 - 22 mm	1-3	1-2	2-4	3-4
250 / 114	295	19 - 22 mm	1-3	1-2	2-4	2-3

# Altitude Powerplay Spring Chart

## 2022 ALTITUDE POWERPLAY 230x62.5 FOX FLOAT X AIR SHOCK \*Count clicks from Closed: 0 Clicks = Closed\*

RIDER WEIGHT LBS / KG	FOX FLOAT X PSI	SHOCK SAG	RECOMMENDED LSR SETTING	RECOMMENDED LSC SETTING *IF AVAILABLE
100 / 45	140	19 - 22 mm	12	Start open / Adjust to suit
110 / 50	145	19 - 22 mm	11-12	Start open / Adjust to suit
120 / 55	155	19 - 22 mm	11	Start open / Adjust to suit
130 / 59	165	19 - 22 mm	10-11	Start open / Adjust to suit
140 / 64	175	19 - 22 mm	10	Start open / Adjust to suit
150 / 68	185	19 - 22 mm	8-10	Start open / Adjust to suit
160 / 73	190	19 - 22 mm	8	Start open / Adjust to suit
170 / 77	200	19 - 22 mm	7-8	Start open / Adjust to suit
180 / 82	210	19 - 22 mm	7	Start open / Adjust to suit
190 / 86	220	19 - 22 mm	7	Start open / Adjust to suit
200 / 91	230	19 - 22 mm	7	Start open / Adjust to suit
210 / 95	240	19 - 22 mm	5-6	Start open / Adjust to suit
220 / 100	250	19 - 22 mm	5	Start open / Adjust to suit
230 / 105	260	19 - 22 mm	2-3	Start open / Adjust to suit
240 / 109	270	19 - 22 mm	2	Start open / Adjust to suit
250 / 114	280	19 - 22 mm	2	Start open / Adjust to suit

## 2022 ALTITUDE POWERPLAY 230x62.5 FOX DHX2 COIL SHOCK \*Count clicks from Closed: 0 Clicks = Closed\*

RIDER WEIGHT LBS / KG	STEEL SPRING WEIGHT	*FOX SLS SPRING	SHOCK SAG	RECOMMENDED LSR SETTING	RECOMMENDED HSR SETTING	RECOMMENDED LSC SETTING	RECOMMENDED HSC SETTING
100 / 45	300	300	19 - 22 mm	11-12	Not Available	14-15	Not Available
110 / 50	300	325	19 - 22 mm	10-11		14-15	
120 / 55	350	350	19 - 22 mm	9-11		14-15	
130 / 59	350	350	19 - 22 mm	8-9		14-15	
140 / 64	400	400	19 - 22 mm	8-10		14-15	
150 / 68	400	425	19 - 22 mm	6-7		13-14	
160 / 73 *Size MD	450	450	19 - 22 mm	6-7		12-13	
170 / 77	450	475	19 - 22 mm	5-6		11-13	
180 / 82 *Size LG	500	500	19 - 22 mm	5-6		9-10	
190 / 86	500	525	19 - 22 mm	4-5		9-11	
200 / 91 *Size XL	550	550	19 - 22 mm	4-5		9-10	
210 / 95	600	Not Available	19 - 22 mm	3-4		7-9	
220 / 100	600		19 - 22 mm	2-3		6-7	
230 / 105	650		19 - 22 mm	2-3		5-6	
240 / 109	700		19 - 22 mm	1-2		5-6	
250 / 114	Not Available		19 - 22 mm	Not Available	6-7		

## Instinct Powerplay Spring Chart

### 2022 INSTINCT POWERPLAY 210X55 FOX FLOAT X AIR SHOCK \*Count clicks from Closed: 0 Clicks = Closed\*

RIDER WEIGHT LBS / KG	FOX FLOAT X PSI	SHOCK SAG	RECOMMENDED LSR SETTING	RECOMMENDED LSC SETTING *IF AVAILABLE
100 / 45	130	16 - 19 mm	12	Start open / Adjust to suit
110 / 50	140	16 - 19 mm	11-12	Start open / Adjust to suit
120 / 55	150	16 - 19 mm	11	Start open / Adjust to suit
130 / 59	160	16 - 19 mm	10-11	Start open / Adjust to suit
140 / 64	170	16 - 19 mm	10	Start open / Adjust to suit
150 / 68	180	16 - 19 mm	8-10	Start open / Adjust to suit
160 / 73	190	16 - 19 mm	8	Start open / Adjust to suit
170 / 77	200	16 - 19 mm	7-8	Start open / Adjust to suit
180 / 82	210	16 - 19 mm	7	Start open / Adjust to suit
190 / 86	220	16 - 19 mm	7	Start open / Adjust to suit
200 / 91	230	16 - 19 mm	7	Start open / Adjust to suit
210 / 95	240	16 - 19 mm	5-6	Start open / Adjust to suit
220 / 100	250	16 - 19 mm	5	Start open / Adjust to suit
230 / 105	260	16 - 19 mm	2-3	Start open / Adjust to suit
240 / 109	270	16 - 19 mm	2	Start open / Adjust to suit
250 / 114	280	16 - 19 mm	2	Start open / Adjust to suit

### 2022 INSTINCT POWERPLAY 210X55 ROCK SHOX DELUXE AIR SHOCK \*Count clicks from Closed: 0 Clicks = Closed\*

RIDER WEIGHT LBS / KG	FOX FLOAT X PSI	SHOCK SAG	RECOMMENDED LSR SETTING	RECOMMENDED LSC SETTING *IF AVAILABLE
100 / 45	110	16 - 19 mm	8	Start open / Adjust to suit
110 / 50	120	16 - 19 mm	7-8	Start open / Adjust to suit
120 / 55	130	16 - 19 mm	7-8	Start open / Adjust to suit
130 / 59	140	16 - 19 mm	7	Start open / Adjust to suit
140 / 64	150	16 - 19 mm	6-7	Start open / Adjust to suit
150 / 68	160	16 - 19 mm	6-7	Start open / Adjust to suit
160 / 73	170	16 - 19 mm	6	Start open / Adjust to suit
170 / 77	180	16 - 19 mm	5-6	Start open / Adjust to suit
180 / 82	190	16 - 19 mm	5-6	Start open / Adjust to suit
190 / 86	200	16 - 19 mm	5	Start open / Adjust to suit
200 / 91	210	16 - 19 mm	4-5	Start open / Adjust to suit
210 / 95	220	16 - 19 mm	4-5	Start open / Adjust to suit
220 / 100	230	16 - 19 mm	4	Start open / Adjust to suit
230 / 105	240	16 - 19 mm	3-4	Start open / Adjust to suit
240 / 109	250	16 - 19 mm	3-4	Start open / Adjust to suit
250 / 114	260	16 - 19 mm	3	Start open / Adjust to suit

## Shock Eyelet Bearing

### Service

Your frame is equipped with cartridge bearings in the rear eyelet, allowing for better small-bump compliance. These bearings are carried by cups that have a very firm press fit into the shock shaft.



If you have your shock serviced, we highly recommend removing these components, as suspension service centres cannot guarantee they will be returned. To remove the system, follow these steps:

- Use the Rocky Mountain Bearing Eyelet Tool Kit (Part# 1810031)
- Install the top hat piece on one side of the bearing eyelet
- Next, install one of the cup removal tools over the bearing cup with the top hat piece installed.
- Thread the M8 screw snugly against the top hat piece
- Install the other cup removal tool over the other bearing cup
- Thread the M8 screw all the way in until it starts pushing on the other side. It is contacting the inside of the top hat piece.
- Keep threading until one of the cups is full pushed out.
- Next insert the drift tool through the shock eyelet and rest it firmly against the bearing cup that is still pressed in the shock eyelet.
- Gently, but firmly, hammer the drift tool until the bearing cup is fully removed from the shock eyelet.

If you do not have the Rocky Mountain Bearing Eyelet Tool Kit, use a blind bearing puller:

- Use a blind bearing puller (8 mm extension) to remove both bearings.
- Remove the centre sleeve.
- Use the blind bearing puller (10 mm extension) to remove the empty cups.

**NOTE:** the inner diameter of the cups is 11 mm, which means the 12 mm extension won't fit (So don't force it); Use the 10 mm extension.

To install new cups, use a bearing press or vice with soft jaws installed, making sure to press on the outer edge of the cups, and don't forget the centre spacer sleeve between the cups.

## RIDE-4

The RIDE-4™ adjustment system allows riders to quickly fine-tune their geometry with a single 5-mm Allen key. Four configurations are possible thanks to a pair of rotating chips. Geometry setup is a complex art form with huge variables in rider style, preference, terrain and ability. We do recommend the use of professional services, but we also believe that learning to dial in your own bike is the best way to fully understand its performance. When adjusting your RIDE-4 position, make gradual, incremental changes, take notes and be methodical. Don't adjust in a hurry before a big ride. Take your time and enjoy the process.

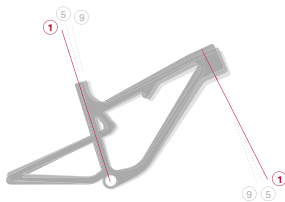
### READY FOR ANY TRAIL

The RIDE-4™ adjustment system allows you to quickly fine-tune your geometry and suspension with a single 5-mm Allen key

STEEPER  
HEAD-TUBE ANGLE  
LESS  
PROGRESSIVE  
SUSPENSION



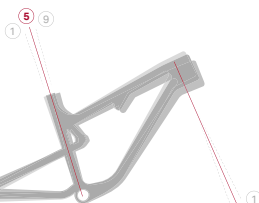
SLACKER  
HEAD-TUBE ANGLE  
MORE PROGRESSIVE  
SUSPENSION



### Position

SLACK

The lower bottom bracket and progressive suspension increase stability at higher speeds. Recommended for more aggressive trail riding



### Position 3

NEUTRAL

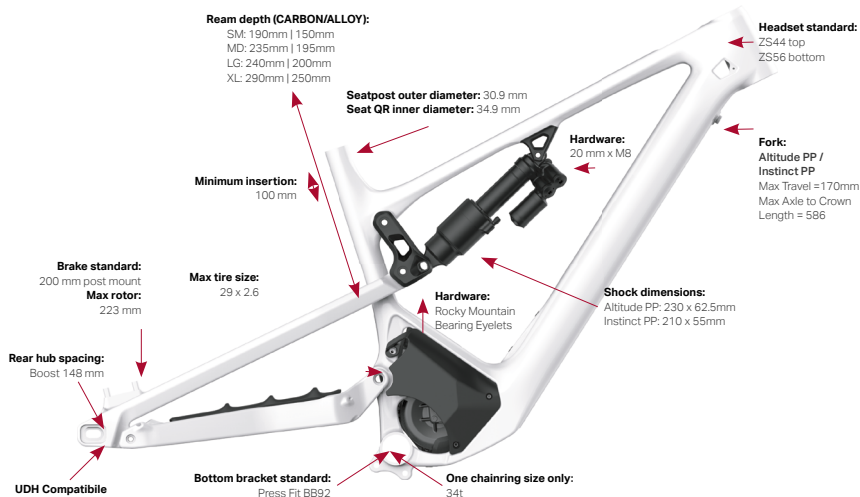
This position offers a balanced blend of geometry and suspension performance to cater to a wide variety of trails

### Position 4

STEEP

The higher bottom bracket and linear suspension allow for better pedal clearance, a more supportive initial suspension rate, and a position on the bike better suited for climbing.

## Critical Dimensions



### Shock fitment

We check clearances for many shocks but cannot guarantee compatibility with all makes and models. Please contact your local dealer if you have a specific question regarding shock fitment.

### Approved shocks for Altitude Powerplay and Instinct Powerplay

#### Fox

- FLOAT DPS
- FLOAT X
- FLOAT X2
- DHX
- DHX2

#### Marzocchi

- Bomber RC

#### RockShox

- Deluxe
- Super Deluxe
- Super Deluxe Coil
- \*SiDLuxe not approved

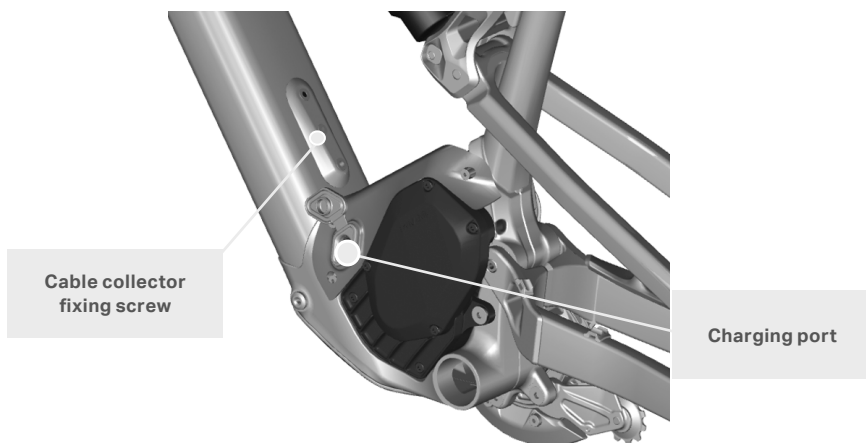
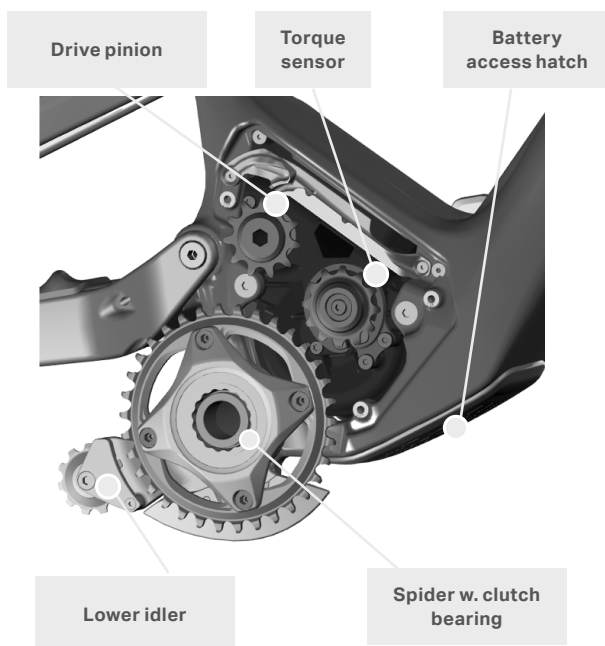
#### Can Creek

- DB Coil
- DBiL Coil
- DB Air
- DBiL Air



## Images





## Rider Controls

**TMI** (Thumb – Machine Interface, aka the remote)



## Jumbotron

The Jumbotron display is the communication centre of your Powerplay™ bike. It serves to operate the system, display information and diagnose and repair issues. Firmware updates will be carried out through the USB module and computer as required.



## Display



# Riding the bike

## Warning

Make sure the brakes are applied before putting any pressure on the pedals, or even resting your foot on the pedals. The Powerplay™ Drive uses a sophisticated torque sensing circuit to deliver smooth, instant, natural feeling power. This circuit is very sensitive, so you must be careful to ensure the bike does not accelerate away from you when stopped.

## Power ON

To power up the Powerplay™ Drive, use the button on the Jumbotron to turn the bike on, by holding it for 2 seconds. Note: The Powerplay™ Drive will always power up in the second lowest assistance mode. The rider can then increase the assistance using the remote, or the Jumbotron.

## Power levels

The Powerplay™ Drive provides several levels of power assistance:

### Level 1: Eco

This is the lowest power setting, used for maximum battery life and rider input.

### Level 2: Trail

This level balances assistance and battery life for all around trail riding .


### Level 3: Trail+

This level gives the rider sufficient boost for an exciting ride, and good speed to get you to the downhills, without leaving the battery drained.

### Level 4: Ludicrous

For maximum speed and assistance, this level delivers a huge amount of power to the rear wheel. Note that prolonged use of Ludicrous Mode will drain the battery relatively quickly.

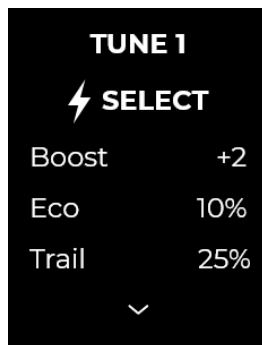
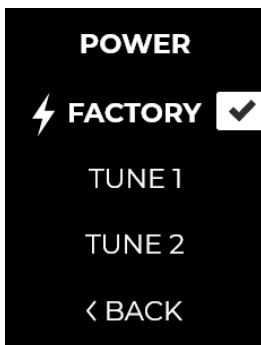
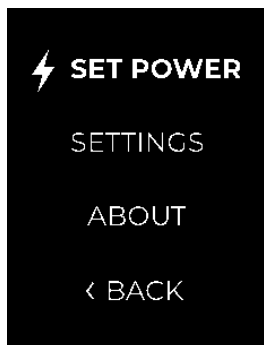
To change assist levels, use the remote (up or down button) or click the button on the Jumbotron.

NOTE: THE RIDER CAN CUSTOMIZE BOTH THE POWER SETTINGS OF ALL 4 MODES, AS WELL AS THE MOTOR BOOST (TORQUE SENSITIVITY) IN THE MAIN MENU. HOLD  TO ACCESS.

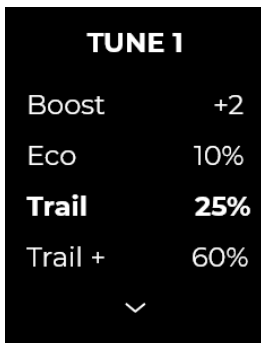
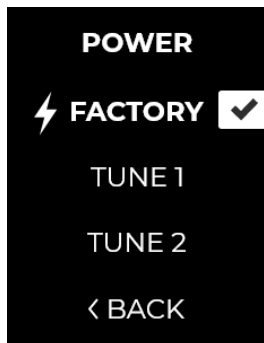
## Assistance adjustment

Assist levels can be adjusted at the start or at any time during the ride. The DynamE™ 4.0 system can hold 3 different assistance maps in its memory: a default FACTORY map and two customizable tunes. The rider can select between the maps depending on how they want the drive system to react.

### Select Tune



### Adjust Tune

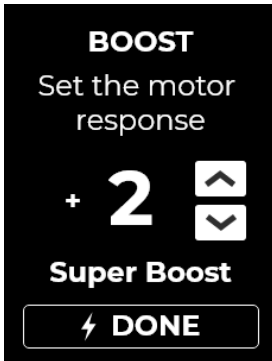


#### 2 adjustable parameters

- Boost: How the motor responds to rider input (torque sensitivity, or % boost)

- Assistance power: % of available power for each of the 4 assistance levels

## Motor boost



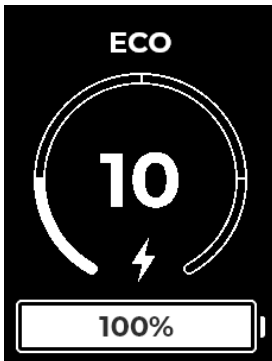
### Adjust from +2 to -2

**+2** Very little effort required from the rider. Maximum boost, minimum battery range: BRAAAAAAP

**0** Balanced performance, good response and battery range

**-2** Significant pedalling input required from rider, maximized battery range, best workout.

## Assistance power



### Adjust from 1% to 100%

For each of the 4 assistance modes (Eco, Trail, Trail +, Ludicrous), you can select the power output. It represents a percentage of the peak available power. You cannot adjust the power of a high assistance mode to be lower than a lower assistance mode, e.g., Trail mode cannot be adjusted lower than Eco mode.

# Battery

---

Our Powerplay™ models feature proprietary controls, motors, and battery components. Some of these components are sensitive and require extra care. We want to ensure that you have the most information possible. Please take note of the following updated details related to the Rocky Mountain Powerplay™ battery, recharging and care.

Failure to follow the instructions and guidelines in this section may result in damage of electrical components on your bike and will void your warranty. More importantly, failure to follow the instructions may result in serious personal injury or death.

## General

- The batteries used in all Rocky Mountain Powerplay™ devices have all the required certifications and a Battery Management System (BMS) that provides multiple levels of fail-safes to prevent hazards. Despite these safety measures, a charged battery that has reached extreme temperatures or a charging port that has sustained damage can be dangerous, leading to electrical shock, fire, or injury.
- If your battery or charger shows any signs of damage, do not use it, and immediately bring your bike to your authorized Rocky Mountain retailer for inspection.
- The battery and drive unit, along with other proprietary Powerplay™ components, should only be serviced by mechanics that have gone through Rocky Mountain Powerplay™ training.
- Do not allow any small, sharp, and/or metallic objects to come in contact with the battery or the battery's recharging socket.
- Do not modify, open, or disassemble the battery or charger.
- Never clean an Powerplay™ with a high-pressure washer or submerge the bike in water. Rain and normal washing will not cause a problem.
- Undamaged batteries will not release fluids or gases. However, in the event of damage, battery fluid can cause skin irritation and burns, and battery gases can be released and irritate the airways. In the event of skin or eye contact with any fluids or gases from the battery, immediately flush with water and seek medical assistance.
- When transporting the bike on a car, if the battery is removed, ensure all connections are covered to avoid contamination from road grit, water and salt.

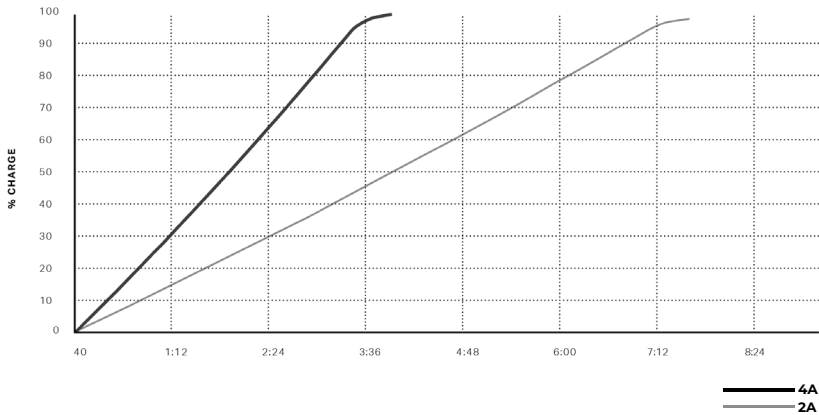


- If a battery fire occurs, do not attempt to directly extinguish it with water. You can use water to extinguish materials surrounding the battery, but not the chemical cells themselves. To properly extinguish a burning battery, **use a Class ABC or BC fire extinguisher**. Sand can also be used to smother the fire effectively. If possible, without exposing yourself to any personal risk of injury, bring any heated or ignited battery or complete bike outside to prevent the fire from spreading. If the battery is connected to a charger, the first action should be to unplug the charger or cut the power from the grid.

## Charging

- Only use the dedicated Powerplay™ chargers for any Powerplay™ battery.
- Do not leave the charger in direct sunlight, especially during recharging.
- **To recharge the battery:**
  1. Find the recharging port on the Powerplay™ bike and open the recharging port protector.
  2. Note the shape of the charging cable connector, and orient it correctly to the charge port on the bike. Connect the charger to the Powerplay™ bike.
  3. Plug the charger into an electrical source. The LED on the charger will illuminate red to indicate charging .
  4. Once charging is complete, the LED will turn green. It is not necessary to disconnect the charger immediately after the recharge is complete; however you should not leave the bike connected to the charger for a period longer than 12 hours.
- Recharge your Powerplay™ bike in an open area with clear access to an outside exit.
- As with all bikes and equipment with lithium-ion batteries, it is recommended to only recharge the bike under supervision.
- If the battery reaches 50 °C (122 °F), the recharge will be stopped until the battery temperature drop to 45 °C (113 °F). If the battery drop to 0 °C (32 °F), the recharge will be stopped until the battery temperature rises to 3 °C(37.4 °F).
- Recharging time will vary depending on remaining energy in the battery.
- Recharging time is as follows:

	4A charger	2A charger
Time to charge from 0–80%	2h55	6h00
Time to charge from 0–95%	3h25	7h00
Total charge time from 0–100%	3h55	7h35



- It is not necessary to fully charge the battery every time. You can also partially charge it, but we recommend fully charging it once every 10 charges.

## Storage

- To store your Powerplay™ bike, keep it in a secure place that is not exposed to extreme temperatures (above 30 °C (86 °F), or below 0 °C (32 °F)), excessive sun exposure, humidity or condensation. If you believe that the bike has been stored in the conditions listed above, please cease usage and contact your authorized Rocky Mountain retailer.
- Storing a fully depleted battery for a prolonged period will cause damage and diminish its capacity. It is recommended to recharge your battery to at least 75% capacity whenever possible, to avoid damage from deep discharge over prolonged periods and thereby voiding your warranty.
- If you store your bike for long periods of time, you must recharge the battery periodically, at least once every three months, to maintain its capacity. Failure to do so may cause damage to the battery, and a loss of its capacity. A good way to manage storage recharging is to set calendar reminders in your computer or mobile device.
- The best practice to maintain the optimum battery capacity over time is to store the bike at temperatures between 10 °C (50 °F) and 25 °C (77 °F) and relative humidity below 65%.
- After 1 month of storage, the battery will enter a protection mode. To revive the battery, please plug into the charger.

## Battery functionality

- The battery will function in cold weather, though at a diminished capacity. Expect 70% of full capacity at -10 °C (14 °F). It is recommended to warm up a cold bike prior to use.
- If the battery reaches 65 °C (149 °F), it will shut itself down for protection until it drops below 60 °C (140 °F). If the battery reaches -20 °C (-4 °F), it will shut itself down for protection until it warms up to at least -15 °C (5 °F)
- When the remaining battery capacity is low, the Powerplay™ drive will progressively reduce power output to maximize its range.
- Please note that lithium-ion batteries gradually lose capacity depending on age and use. A dramatic decrease in capacity may be a sign that the battery is reaching the end of its lifespan and must be replaced. Please visit your authorized Rocky Mountain retailer for battery replacement. Under normal use, you can expect:

### 720 Wh Battery

Will operate at 80% of full capacity after 500 full charging cycles (0% to 100% charge).

## Battery LED

- **During charging**

White : 100% - 75%

Green : 74.9% - 50%

Yellow : 49.9% - 25%

Red : 24.9% - 0%

- **Error codes (Flashing LED)**

Red: Stop riding / visit your dealer

Yellow: Wait 15 mins.

Blue: Too cold! Try again in warmer conditions.

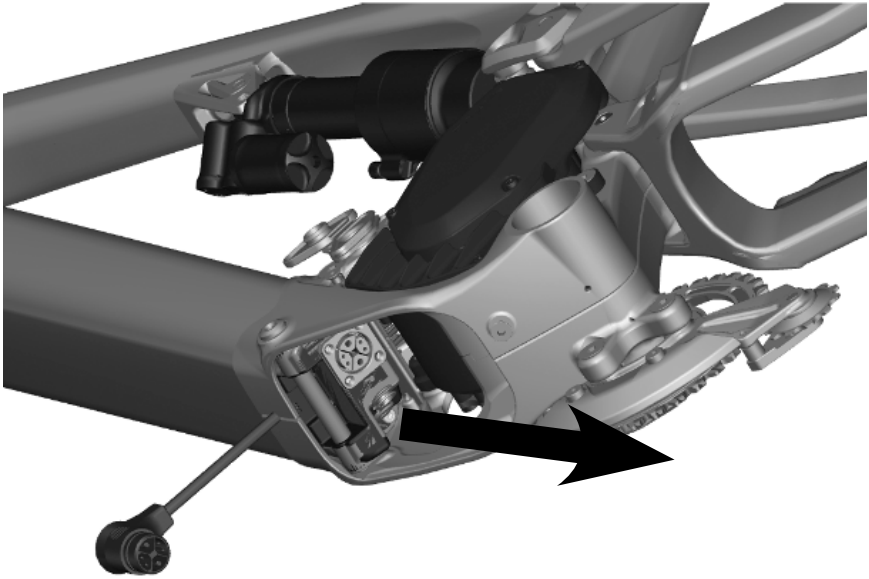
## Removal

Powerplay™ bicycles are equipped with a removable battery. It is fixed with a 4 mm hex retaining bolt, for a solid, rattle-proof attachment.



- Remove the bash cover fixing screw and bash plate.

- Unplug the power connector from the battery.
- Remove battery fixing screw. Warning ! Do not drop the battery.
- Pull the battery from the downtube.



## Installation

Reverse the steps above, taking care to avoid pinching the power cable by moving it clearly out of the path of the sliding battery.

**WARNING:**

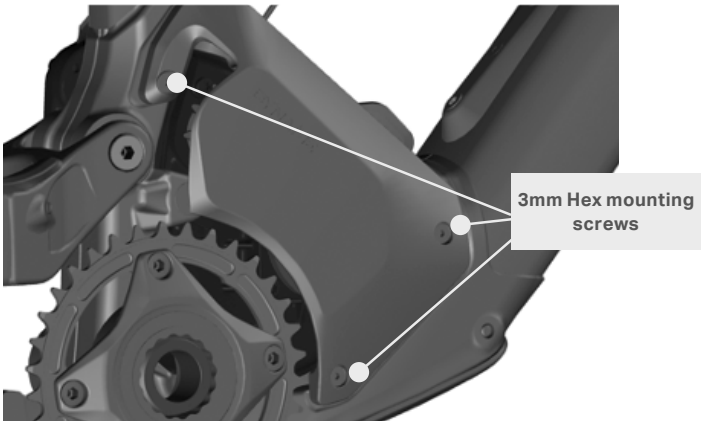
A compromised power cable can be dangerous, leading to electrical shock, fire or injury.

## Motor

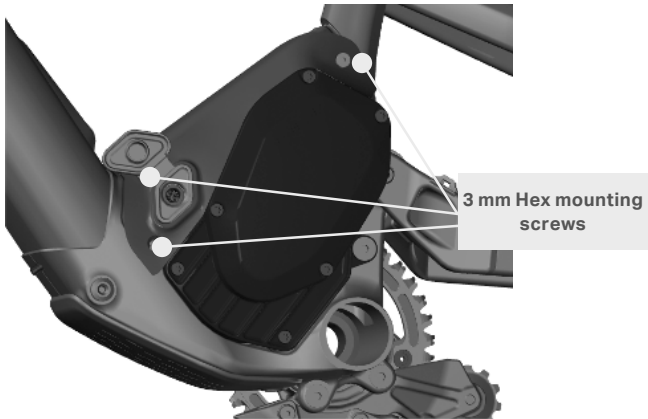
### Drive removal

To remove the motor from the frame, follow these steps.

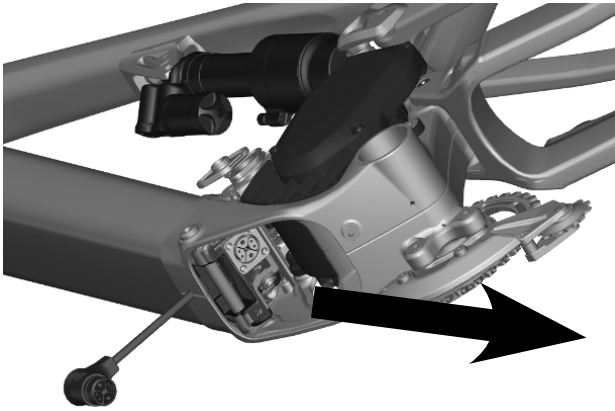
- Turn off bike.
- Unscrew the three mounting screws and remove drive side motor cover



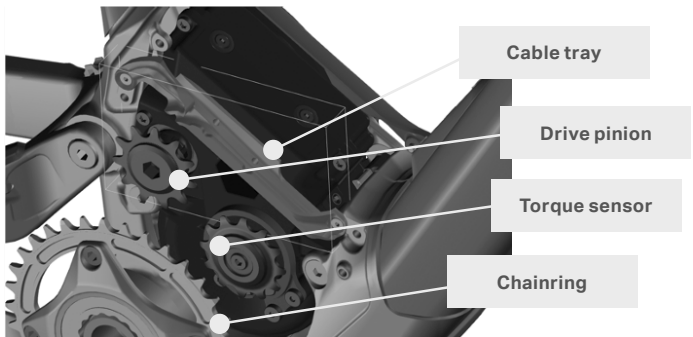
- Unscrew the three mounting screws and remove non-drive side motor cover.



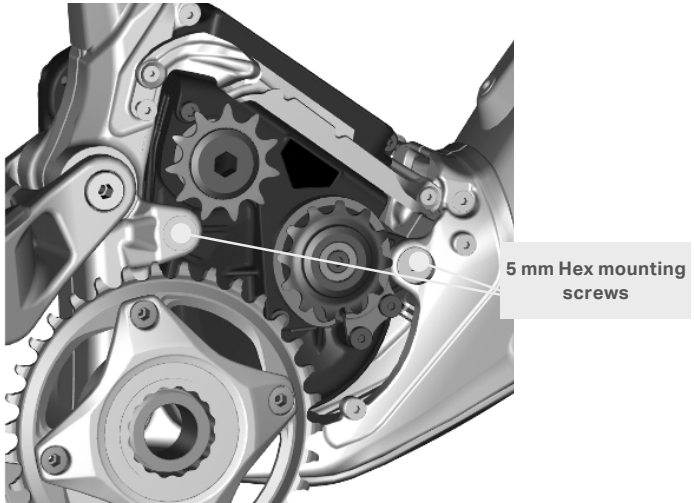
- Remove battery as outlined previously (page 14).



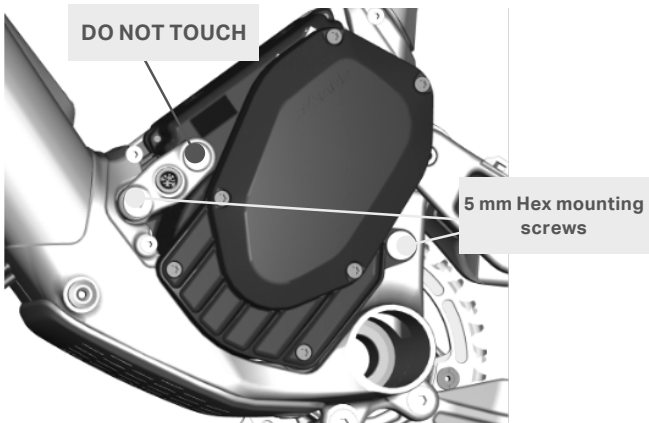
- On the drive side, locate the cable tray. Remove zip ties, and disconnect the speed sensor (YELLOW connector).
- Remove chain from chainring, drive pinion and torque sensor.



- Remove the two mounting screws securing the motor on the non-drive side

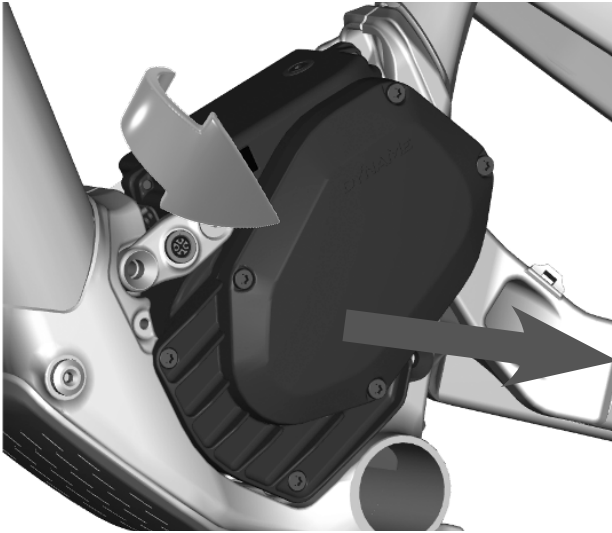


- Remove the two mounting screws securing the motor on the non-drive side. Note the charge port remains on the mounting bracket with the motor. Do not remove this 5 mm hex screw





- Disconnect the remote (RED connector) .
- Remove the entire motor from the non-drive side, rotating slightly to avoid the drive pinion colliding with the frame.



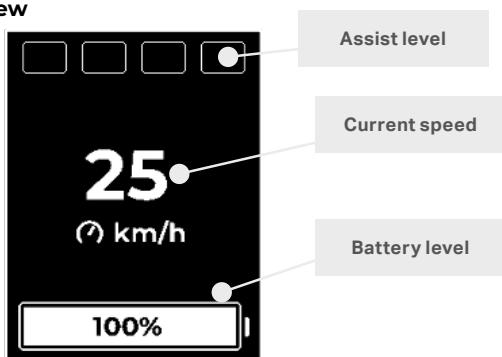
To reinstall the motor, simply reverse all the steps above and refer to the torque specifications below.

- Motor mount screws: 14 Nm
- Cover mount screws: 1.5 Nm

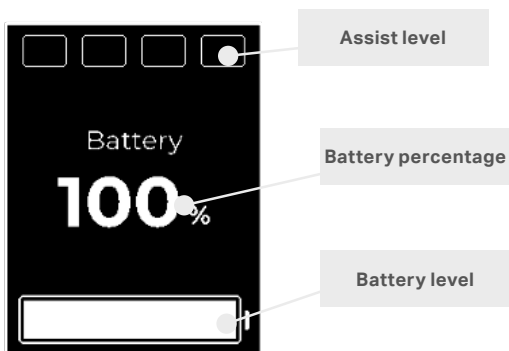
## Rider screens

Depending on the selection, the screen will display one type of information, while still showing critical data.

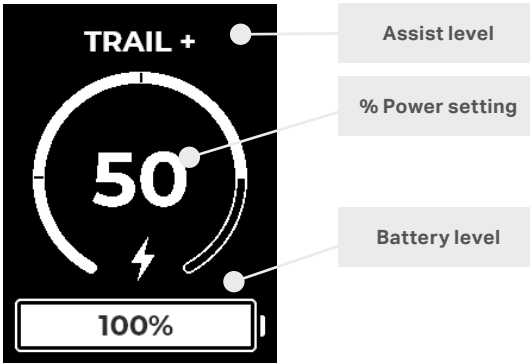
### Speed View



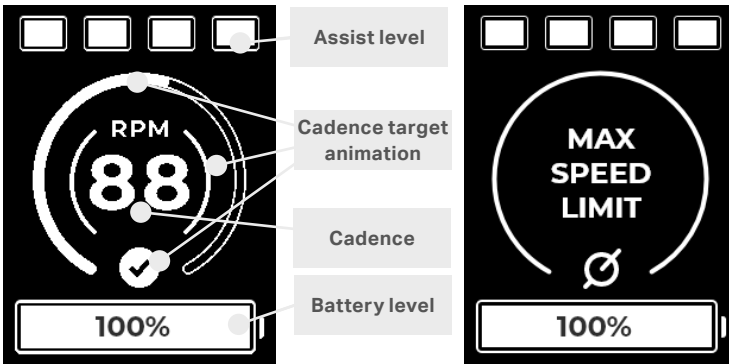
### Battery View



### Assist View

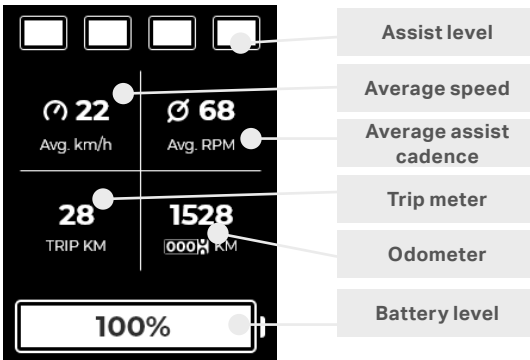


### Cadence View



Note that cadence is interpreted through motor RPM, and is an estimate. That also means that when the motor is stopped (ex: above max speed), there is no cadence reading.

### Odo / Trip View



## Reset

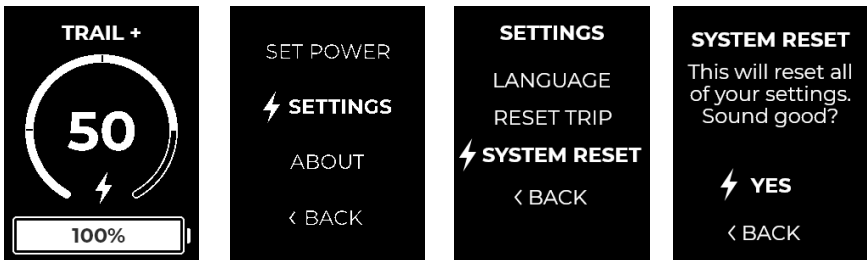
The rider can always reset the trip information (average speed, average cadence, distance), as well as restore the Dynamometer system to original factory settings.

### Trip reset



In the odometer view, hold the UP button on the TMI

or



From any rider screen, enter the main menu by HOLDING **⚡**.  
Go to Settings – System reset.

## Walk Mode

The Powerplay™ has a Walk Mode you can use should the need arise. The Powerplay™ Drive is able to assist the bike at a walking speed. On the remote, push and hold button (A). The bike will slowly power up the climb as you push it.

⚠ The Walk Mode may not be used while a rider is on the bike. The Walk Mode may be used only when walking alongside the bike.

## Power OFF

To power down the Powerplay™ Drive, hold the button on the Jumbotron. If the bike is left idle for 10 minutes, it will automatically shut itself off to conserve battery life.

# Notes

---

## Damage to remote

In the event the remote is damaged and stops working, the rider can continue to use the bike and cycle through the assist modes using the Jumbotron.

NOTE: The menus and adjustments are not accessible via the Jumbotron, without the remote.

## Range

The distance over which the battery will power the drive system varies depending on several factors, such as assist level and boost mode selected, ambient temperature, acceleration, wind resistance, poor maintenance, battery age, hilly and rough terrain, and/or rider weight.

## Riding tips

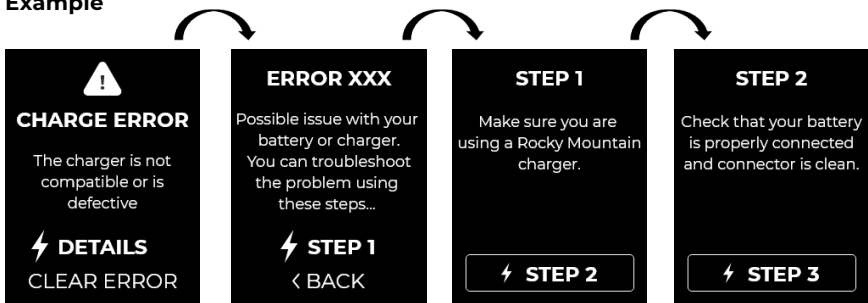
- The Powerplay™ Drive delivers smooth, natural feeling power to the rear wheel and works best under these circumstances.
- Use a smooth, consistent pedal stroke, rather than "mashing" the pedals.
- Shift often, to maintain a cadence between 80 and 120 RPM for optimal motor efficiency, yielding high torque and maximum battery performance. Use the cadence view on the Jumbotron, which informs the rider when they are pedalling in the efficient zone.
- When shifting gears, care should be taken:
  - Ease off pedalling pressure prior to shifting to avoid stressing the chain.
  - Do not shift multiple gears at once.

## Service

### Diagnostics and repair

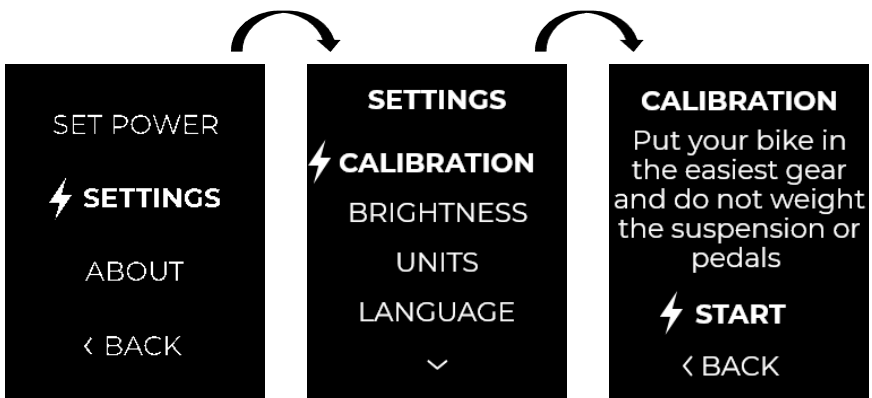
The Jumbotron can display error messages, as well as prompt the rider with instruction for repairing the system in some cases.

#### Example



### Calibrating

A calibration procedure may occasionally be required to maintain the performance of the drive system. Typically this is done any time a drivetrain component is replaced (chain, chainring, drive pinion, etc) or the motor is reinstalled in the frame.



## Troubleshooting

Please work with your local dealer for troubleshooting. Your Jumbotron display can generate error codes for diagnostics. When an error code appears, the system will prompt you with instructions. In some instances a field repair may be possible, in others, the rider may need to see an authorized dealer. Some errors will engage a limp mode, allowing the rider to return home at reduced power.

## Bottom bracket standard

The Powerplay™ Drive uses a Press Fit BB92.

### NOTE:

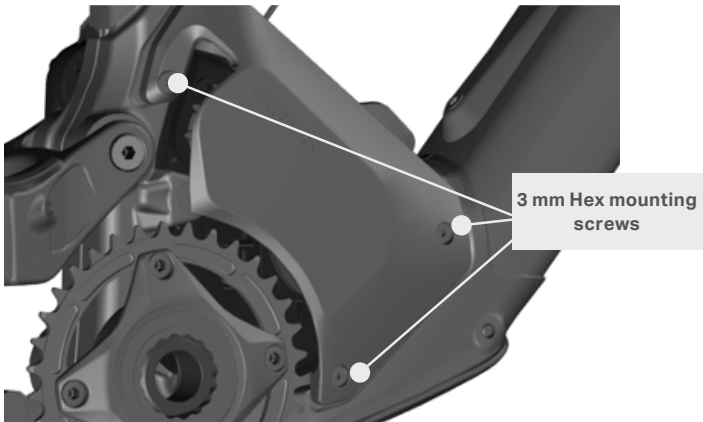
- This allows a gap on the Race Face spindle for the Clutch Spider.
- USE THE CORRECT SPIDER FOR EITHER RACE FACE OR SRAM EAGLE CHAINRINGS. THESE ARE THE ONLY APPROVED CHAINRINGS.

## Cable routing

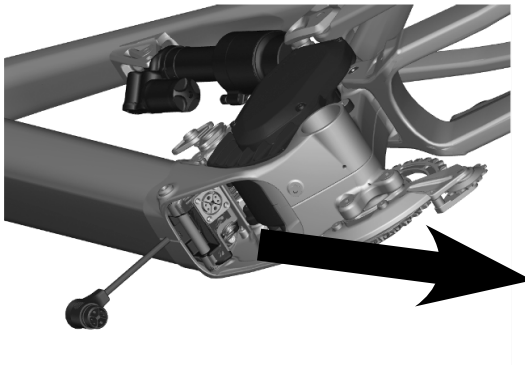
### Shift cable

To replace worn shift cable housing, follow these steps:

- Unscrew the three mounting screws and remove drive-side motor cover.

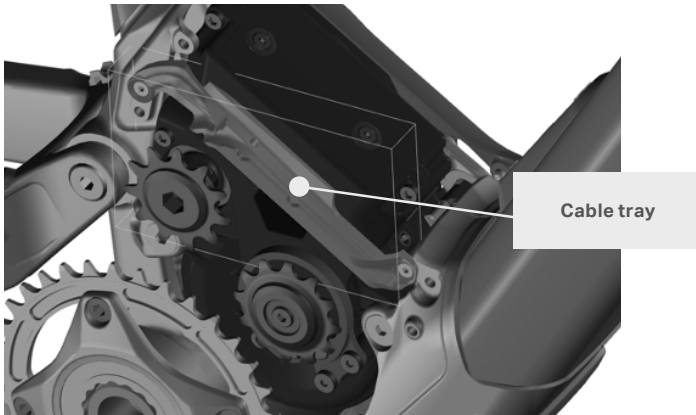


- Remove battery as outlined previously (page 15).

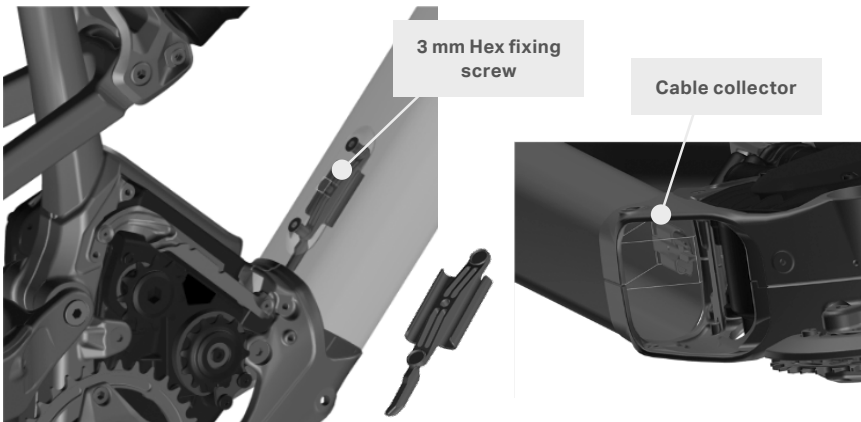




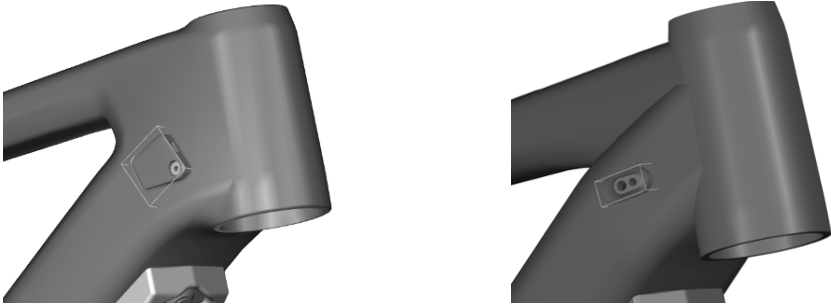
- Cut and remove the zip ties fixing cables and wires to the cable tray on the drive side of the motor. NOTE POSITION OF HOUSING ON TRAY.



- Loosen the 3 mm hex screw between the water bottle bolts, which in turn loosens the cable collector found INSIDE the downtube. You can slide the cables off the sides of the collector, inside the downtube.



- Remove cable port (carbon) or rubber grommet (alloy) on the right side of the downtube.

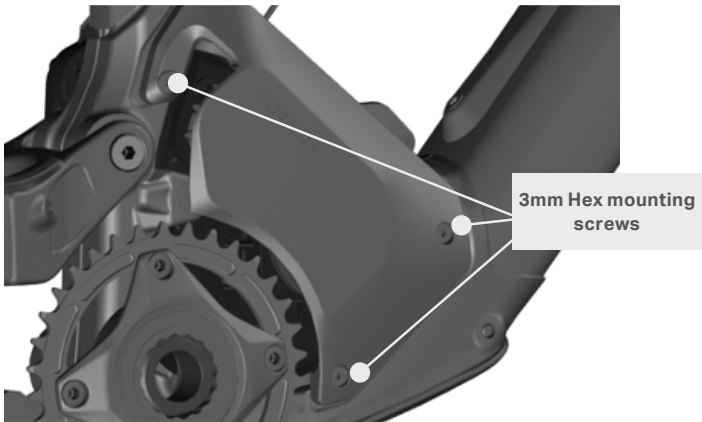


- Remove old housing and cable.
- Working from BACK to FRONT, insert shift housing at the rear of the chainstay assembly.
- Run the shift housing in the cable tray, and into the downtube.
- Run the shift housing all the way to the front of the bike and out the port.
- Run the shift housing in the cable collector, pull taut, and fix the cable collector in the downtube with the 3 mm hex screw.
- Fasten cables and wires to the cable tray on the drive side of the motor with zip ties.
- Install the main pivot cable guide.
- Trim and adjust shift cable and housing.
- Reinstall port or rubber grommet over the shift housing.
- Reinstall battery.

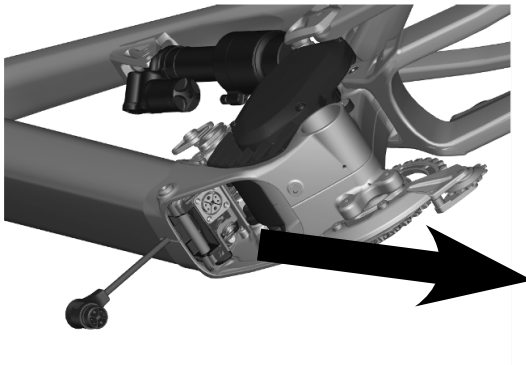
## Brake Hose

To replace a rear brake hose, follow these steps:

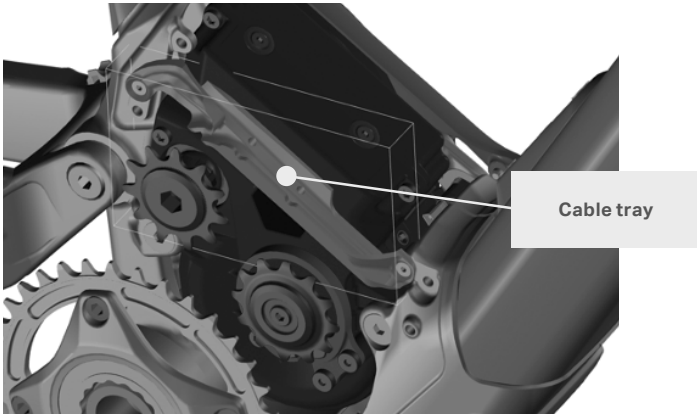
- Unscrew the three mounting screws and remove drive side motor cover.



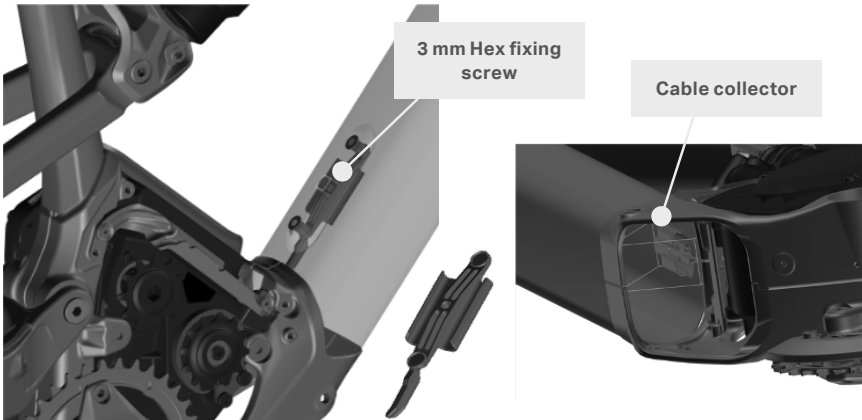
- Remove battery as outlined previously (page 15).



- Cut and remove the zip ties fixing cables and wires to the cable tray on the drive side of the motor. NOTE POSITION OF HOSE ON TRAY.



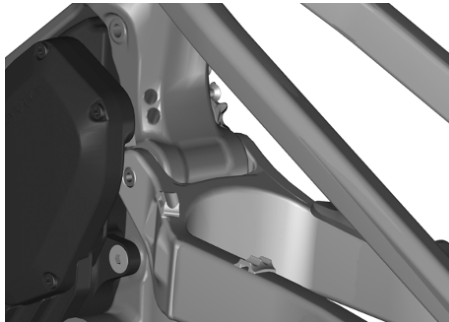
- Loosen the 3 mm hex screw between the water bottle bolts, which in turn loosens the cable collector found INSIDE the downtube. You can slide the cables off the sides of the collector, inside the downtube.



- Remove cable port (carbon) or rubber grommet (alloy) on the left side of the downtube.



- Remove old hose. Measure new hose to match length.
- Working back to front, install the hose on the caliper, and run along the chainstay to the lower hole at the back of the seat tube.



- Run the brake hose in the top portion of the cable tray and into the downtube.
- Run the brake hose in the cable collector, pull taut, and fix the cable collector in the downtube with the 3 mm hex screw.
- Fasten the hose, cables and wires to the cable tray on the drive side of the motor with zip ties.
- Pull the brake hose out of the left side port hole by the head tube, and reinstall the cover or grommet.
- Reinstall the drive side motor cover.
- Reinstall battery.

## General maintenance

---

Please note that electric assist bikes put more stress and strain on components than traditional mountain bikes. They should therefore be inspected and maintained more frequently to maximize safety, performance and longevity.

### Seasonal charging

If you store your bicycle for long periods of time, be sure to charge the battery at least once every three months. Failure to do so may cause damage to the battery, and a loss of capacity. After one month of storage, the battery will enter a protection mode. To revive the battery, plug it into the charger.

A good way to manage storage charging is to set calendar reminders in on your computer or mobile device.

### Cleaning

A clean bike is a happy bike. The best way to clean a dirty bike is with a bucket of warm, soapy water. Avoid using a pressure washer.

NOTE: Do not spray water at directly on any electrical component.

### Preventative maintenance

#### Clean and inspect drivetrain for wear

- Chain
- Cassette
- Pulleys (lower idler, derailleur pulleys)
- Chainring
- Drive pinion

#### Check bolts and fasteners

- All standard bicycle fasteners: pivots, stem, crank bolts, chainring bolts
- Motor mounts
- Torque sensor mount
- Battery retaining pin
- Check spoke tension
- Inspect brake pads & rotors
- Keep charge port clean / closed

## Maintenance

Periodic maintenance and adjustment checklist	Checklist					Notes
	500KM	1000KM	1500KM	2000KM	2500KM	
Bicycle chain - inspect for wear, clean and lube	Before each ride					Check condition (stretch, cracks) and lubricate
Charge port	Before each charge					Check for water intrusion, corrosion, pin alignment & dirt
Torque sensor - calibration						OR each time you replace a component of the drive system or drivetrain
Motor mount screws	●	●	●	●	●	Check for proper torque
Drive pinion & locking	●	●	●	●	●	Check condition; replace whenever worn to the limit
Torque sensor & idler pulley	●	●	●	●	●	Check for cracks or damage
Motor casing & covers		●		●		Check for cracks or damage
Motor cables		●		●		Check for insulation or connector damage
Battery casing	Inspect each time battery is out of the bike					Check for casing or connector damage
Handlebar remote & cable	●	●	●	●	●	Check for casing or connector damage
Toptube display & cable	●	●	●	●	●	Check for excessive play & screen damage
Downtube extension cable	●	●	●	●	●	Check for casing or connector damage
Speed sensor & cable	Inspect each time wheel is off the bike					Check for casing or connector damage; ensure magnets are well secured
Transfer chain - clean and lube		●		●		Check condition and lubricate
Transfer chain - replace	Replace every 2500KM					Check condition to avoid internal motor wear and noise
Motor clutch bearing - replace	Replace every 2500KM					Check bearing for smooth operation
Spider clutch bearing - replace	Replace every 2500KM					Check bearing for smooth operation

## Transportation

---

Transporting and/or shipping your Powerplay™ Drive equipped bike may be subject to restrictions and require special handling, labelling and/or packaging. Be sure to inform yourself beforehand of all legal requirements in your country. When transporting the bike on a car, if the battery is removed, ensure all connections are covered to avoid contamination from road grit, water and salt.

## Register

---

Registering your bike is the official way for us to welcome you into the Rocky Mountain family. It's also an important step in activating your bike's warranty. If you ever have an issue, we'll be able to handle your case efficiently and get you back riding as soon as possible. It's easy and only takes a few minutes.

**Register your bike: [bikes.com/register](https://bikes.com/register)**



## Warranty information

Your Powerplay™ bike is warranted against defects in materials and manufacturing as per the following table:

Category	Term	Notes
Frame Members	5 Years	Front Triangle + Rear Triangle
Hardware	1 Year	Pivots, Axles, etc.
Electronics	3 Years	Drive, Remote, Jumbotron, Sensors, Charger
Drive Wear Items	1 Year	Pulleys, Pinions, Transfer Chain and Bearings
Battery	24 Months	<p>The Powerplay™ Drive will progressively reduce power output to maximize range, as the battery depletes.</p> <p>Range varies depending on several factors, such as assist level, ambient temperature, acceleration, wind resistance, poor maintenance, battery age, hilly and rough terrain and/or rider weight.</p> <p>If stored for 3+ months, charge battery every 3 months. Failure to do so may cause damage &amp; void warranty.</p>
Components	As per Original Manufacturer Warranty	

All warranty and after sale service must be handled by the authorized dealer who sold the complete bicycle or frame. We cover your Rocky Mountain frame against defects in material and workmanship from the original date of purchase of your new Rocky Mountain bicycle according to the frame material and the type of use.

### Frame material / Type of use

- Carbon fiber: 5 years - Limited\*
- Aluminum – front & fully suspended: 5 years - Limited\*
- Please refer to limitations stated below

## Other warranty coverage against defects in workmanship and materials

- Coating – paint and decals: 1 year
- Frame hardware, suspension, pivots and bushings: 1 year
- Pivots and bushings: 6 months

### NOTE

#### Warranty is not valid in the following situations:

- Bicycles previously used for commercial activity such as rental, courier, police, security, etc.
- Installation of components, parts or accessories not originally intended for or compatible with the bicycle (or frame) as sold.
- Rocky Mountain Bicycle purchased from an unauthorized dealer.
- Purchasing a Rocky Mountain Bicycle or frame off from third party internet sites (such as eBay) no matter what the listing says.

#### Detail of what is not covered under warranty:

- A. Normal wear and tear on tires, tubes, brakes, gear cables, brake pads, etc. is not covered. Your authorized Rocky Mountain dealer will inform you of what falls under normal maintenance.
- B. Consequential damage or any damage caused by accident, misuse or abuse.
- C. Improper assembly and/or lack of proper maintenance, sandblasting, sanding, grinding, wire brushing, filing, welding, brazing, drilled holes, anodizing, repainting, or chrome plating is not covered under your warranty and may void the warranty of the component manufacturers.
- D. You take great personal risk and shall forfeit the warranty, as outlined in the Warranty Table, when you ride in extreme terrain as depicted in mountain bike videos, i.e., riding «trials»-style courses, riding ramps, doing stunts, riding on BMX tracks, riding in the city down steps and embankments, riding in other similar terrains. It is important to note that bent components, frames, forks, handlebars, seat posts, pedals, cranks and wheel rims are signs of accidents and/or abuse.
- E. Labour for part replacement or changeover is not included.
- F. Rocky Mountain retains the right to repair or replace at its discretion any part that is deemed a valid warranty claim. Please note that Rocky Mountain cannot guarantee a colour match to the original component.

## EXCLUSION AND LIMITATION OF DAMAGES

THE WARRANTY OF ROCKY MOUNTAIN IS LIMITED TO THE REPAIR OR REPLACEMENT OF THE PRODUCTS AND DOES NOT GRANT ANY WARRANTY EITHER EXPRESSED OR IMPLIED, LEGAL OR CONVENTIONAL AND DISCLAIMS ANY AND ALL IMPLIED WARRANTIES OF MERCHANTABILITY AND FITNESS FOR PARTICULAR PURPOSES AND ROCKY MOUNTAIN SHALL UNDER NO CIRCUMSTANCES BE LIABLE FOR DIRECT OR INDIRECT, SPECIAL, INCIDENTAL OR CONSEQUENTIAL DAMAGES EVEN WHERE ROCKY MOUNTAIN HAS BEEN ADVISED OF SUCH DAMAGES, AND ROCKY MOUNTAIN'S LIABILITY SHALL BE LIMITED TO \$50.00.

## Declaration of conformity

---

The following Powerplay™ equipped bicycle platforms fulfill the requirements of the standards listed below.

Rocky Mountain Altitude Powerplay™

Rocky Mountain Instinct Powerplay™

For a complete list of models go to [www.bikes.com](http://www.bikes.com).

- EN 15194:2017: Electrically power assisted cycles – EPAC Bicycles
- ISO 4210-2:2015: Safety requirements and testing procedures for mountain bicycles
- IEC/EN 62133-2:2017 : Requirements and tests for the safe operation of portable sealed secondary lithium cells and batteries. Part 2: Lithium systems

### **Manufacturer**

**Rocky Mountain**

**division of Industries RAD inc.**

9095, 25th Avenue

St-Georges, QC

Canada, G6A 1A1

2021/10/27

## Patents

---

Powerplay™ bikes may be covered by one or more of these patents:

- Dymate System  
USA: US9643683B2  
EUROPE: EP2957496B1  
CANADA: CA2894856C
- Torque Sensor  
USA: US10583893B2  
EUROPE: Pending  
CANADA: Pending



## Introduction

---

Ce guide contient de l'information importante sur l'utilisation sécuritaire, l'entretien et le fonctionnement du système Powerplay. Veuillez le lire attentivement et vous assurer de bien le comprendre avant d'utiliser votre nouveau vélo Powerplay<sup>MC</sup>.

Comme il porte uniquement sur le système d'entraînement Powerplay<sup>MC</sup>, le guide est conçu pour servir de complément au manuel de votre vélo Rocky Mountain.

Lisez le manuel d'utilisation avant d'utiliser votre Powerplay<sup>MC</sup>. Si vous ne l'avez pas, votre détaillant Rocky Mountain autorisé peut vous le fournir.

## Enregistrement

---

L'enregistrement de votre vélo marque votre entrée officielle dans la famille Rocky Mountain, et c'est une étape importante pour en activer la garantie. Ainsi, en cas de besoin, nous pourrions traiter le problème efficacement pour vous faire remonter en selle aussitôt que possible. L'enregistrement est facile et ne prend que quelques minutes.

**Enregistrez votre vélo : [bikes.com/register](https://bikes.com/register)**

# Avertissements

---

## Puissance

Votre vélo Powerplay<sup>MC</sup> est doté d'une fonction de pédalage assisté puissante. Habituez-vous à son fonctionnement et à celui de la fonction d'assistance sur un terrain plat et sécuritaire avant de vous aventurer hors route.

## Démarrage instantané

Le vélo Powerplay<sup>MC</sup> est équipé d'une technologie de démarrage instantané qui lui donne une puissance immédiate, naturelle et tout en douceur grâce à un capteur de couple perfectionné. Ce circuit étant très sensible, vous devez prendre des précautions pour éviter que le vélo n'avance de façon inattendue ou incontrôlée.

## Prudence dans les sentiers

Votre vélo Powerplay<sup>MC</sup> accélère plus rapidement que les vélos traditionnels et doit être manœuvré différemment. C'est pourquoi vous devez faire preuve de prudence dans les sentiers et tenir compte de ses caractéristiques de maniabilité et d'accélération uniques.

## Attention aux doigts

N'approchez pas vos doigts ou des outils du mécanisme d'entraînement. L'entretien et la réparation de ce mécanisme doivent être effectués uniquement par un centre de service autorisé de Rocky Mountain.

## Modification interdite

Ne modifiez ni le mécanisme d'entraînement Powerplay<sup>MC</sup> ni aucune pièce y étant directement connectée. Seul un centre de service autorisé de Rocky Mountain devrait procéder à l'entretien et à la réparation de ce mécanisme. Toute tentative de modification peut entraîner des blessures graves, voire mortelles, et annule automatiquement la garantie du vélo.

# Étiquette de la montagne

---

## **Courtoisie**

Faites toujours preuve de courtoisie envers les autres utilisateurs des sentiers. La prudence est particulièrement de mise en présence d'animaux domestiques comme des chiens ou des chevaux. Cédez toujours le passage aux autres utilisateurs, en montée comme en descente.

## **Sentiers**

N'utilisez votre vélo Powerplay<sup>MC</sup> que sur des sentiers où l'usage de véhicules motorisés est permis. Respectez la réglementation locale. Comme tous les utilisateurs, vous devez veiller à limiter les répercussions de votre passage sur les sentiers et l'environnement. Évitez les dérapages et ne modifiez pas les sentiers.



## Survol de votre vélo



### Caractéristiques techniques

- Taille et poids réduits
  - Le moteur Dynamé 4.0 est 18,5 % plus léger que la version précédente (Dynamé 3.0).
  - À la fois plus léger et plus fiable, le moteur Dynamé 4.0 est doté de roulements surdimensionnés améliorant sa durabilité.
- Système d'entraînement silencieux
  - Le moteur du Dynamé 4.0 effectue moins de tours par minute, réduisant le bruit électrique par rapport aux autres systèmes.
  - Nous avons retiré le galet supérieur du Dynamé 3.0 pour réduire le bruit mécanique et la résistance au pédalage.
- Réponse active et naturelle
  - Le capteur de couple du système mesure la tension appliquée directement sur la chaîne et élimine le délai en fournissant une réponse instantanée et naturelle à l'application de la puissance.
  - Nous avons élaboré une nouvelle courbe de couple pour que la puissance soit appliquée graduellement et atteigne le maximum de 770 W à la cadence optimale de 85 tr/min. La courbe étant variable, le vélo a une meilleure manœuvrabilité dans les sentiers et les départs techniques abrupts.
- Couple et puissance
  - Le système d'entraînement Dynamé 4.0 fournit le même couple inégalé de 108 N·m que le Dynamé 3.0 de la précédente génération de vélos électriques.
  - Grâce à la puissance maximale de 770 W, l'assistance se fait sentir quand vous en avez vraiment besoin.
- Jumbotron
  - Le Jumbotron, l'écran parfaitement intégré au tube horizontal de nos nouveaux vélos Powerplay, fournit toutes les données essentielles à un endroit pratique et facile à voir. On peut utiliser les boutons du Jumbotron ou la télécommande au guidon pour naviguer dans l'interface.
- Capacité de la batterie
  - Nous avons augmenté la capacité de la batterie du Powerplay de 672 Wh à 720 Wh, afin que vous puissiez en profiter plus longtemps.

## Survol de votre vélo



### Caractéristiques techniques

- Télécommande compacte
  - Nous avons remplacé la télécommande iWoc des précédents modèles Powerplay par une nouvelle, plus petite. La nouvelle conception dessinée à l'interne offre de meilleures caractéristiques ergonomiques au rider et un tableau de bord épuré. La taille compacte permet également de la combiner à une plus vaste gamme de manettes de dérailleur et de freins.
- Recharge
  - Nous avons un chargeur de 4 A et un de 2 A pour les nouveaux modèles Powerplay. Les deux rechargent rapidement la batterie pour vous permettre d'en profiter dès que possible. Celui de 2 A recharge la batterie de 0 à 100 % en 7 h 35, surpassant les modèles des concurrents.
- Cinématique et course des roues en fonction d'un pivot moyennement élevé
  - Notre suspension redessinée comprend un pivot principal moyennement élevé parfaitement intégré au système d'entraînement Dynamax 4.0. La cinématique favorise ainsi l'effet de levier et l'anti-affaissement, assurant une application de la puissance au sol plus fluide tout en réduisant les pertes d'énergie. De plus, l'emplacement du pivot crée une course des roues orientée vers l'arrière qui élimine les petites et moyennes vibrations sur les sentiers.
- Système d'ajustement RIDE-4
  - Grâce au système d'ajustement RIDE-4, le rider peut régler la géométrie et la suspension de manière précise et rapide simplement avec une clé hexagonale. Ce système est muni de deux petites plaques offrant quatre configurations.
- Longueur de la base ajustable
  - Vous pouvez modifier la longueur de la base de 10 mm en retournant la plaque de l'essieu arrière et l'adaptateur de fixation de frein de 200 mm à montage direct. La position courte favorise la réactivité et l'agilité, tandis que la position longue donne de la stabilité à haute vitesse. Le support Rocky Mountain demeure compatible avec le support de dérailleur universel en position longue.

## Survol de votre vélo



### Caractéristiques techniques

- Passage interne et sûr des câbles – Les chemins de câbles internes avec attaches sécuritaires assurent un roulement sans cliquetis et facilitent le passage des gaines et des câbles, même si vous optez pour le style moto avec le frein avant à droite.
- Protection, protecteurs et guide-chaîne supplémentaires – Protection du tube diagonal, protection de la base atténuant les bruits et protection contre les frottements pour le tube diagonal.
- Installation modulaire de l'amortisseur – Offerte seulement sur les modèles en carbone, elle permet les mises à jour de la cinématique de suspension.
- Pivots redessinés – Les roulements doubles des pivots de la base et des haubans ajoutent à la rigidité et à la durabilité. Roulements protégés sur tous les pivots, y compris dans l'œillet inférieur de la suspension (aussi compatible avec les suspensions de rechange).

## CONFIGURATION DE BASE

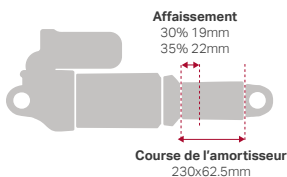
Plusieurs variables vous permettent de peaufiner la configuration de votre suspension. Voici les directives de base pour partir du bon pied; essayez ensuite différents réglages pour voir ce qui vous convient. La première étape consiste à régler l'affaissement, c'est-à-dire le mouvement de la suspension sous le poids de l'utilisateur et des accessoires. Ajustez la précharge avec la pression d'air ou la tension du ressort jusqu'au degré d'affaissement souhaité.

Veuillez respecter les précharges minimales et maximales recommandées par le fabricant du ressort. Pour modifier la tension du ressort, vous devez retirer les paliers de l'œillet avant de retirer le ressort.

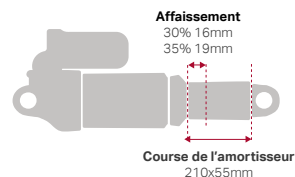
### Affaissement de l'amortisseur

L'affaissement recommandé pour cette plateforme est de 30 à 35 %.

#### ALTITUDE POWERPLAY



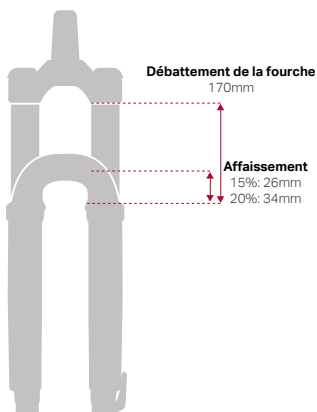
#### INSTINCT POWERPLAY



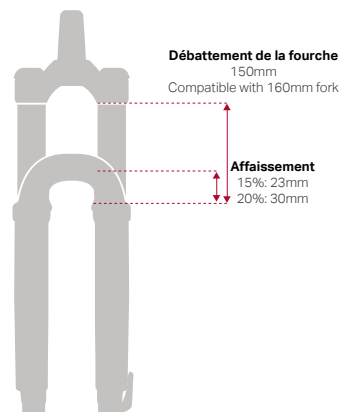
### Affaissement de la fourche

L'affaissement recommandé pour cette plateforme est de 15 à 20 %.

#### ALTITUDE POWERPLAY



#### INSTINCT POWERPLAY



# Altitude Powerplay - Tableaux des ressorts

## Rebond

Le réglage du rebond contrôle la vitesse à laquelle la suspension revient en pleine extension après un choc. S'il est trop élevé, c'est-à-dire que le bouton de réglage est en position lente, la fourche ou l'amortisseur se déplacera trop lentement, et la suspension s'enfoncera de plus en plus dans son débattement à chaque coup, ce qui donnera une sensation de raideur. S'il est trop élevé, c'est-à-dire que le bouton de réglage est en position rapide, la suspension peut rebondir trop vite et causer une perte de traction ou de contrôle. Suivez les recommandations du fabricant pour les réglages de base, puis faites des essais pour trouver l'équilibre parfait.

## Compression

La compression basse vitesse résiste aux déplacements de poids de l'utilisateur, aux mouvements de pompage, aux changements de force d'accélération soudains et à d'autres actions lentes. Si elle est trop élevée, la compression basse vitesse nuira au confort; si elle ne l'est pas assez, elle sera trop souple et peu réactive.

### AMORTISSEUR À RESSORTS FOX DHX2 230 x 62,5 mm – ALTITUDE POWERPLAY 2022

\*Clics à partir de la position fermée : 0 clic = Position fermée\*

POIDS DE L'UTILISATEUR (LB / KG)	POIDS DU RESSORT EN ACIER	POIDS DU RESSORT SLS DE FOX	AFFAISSEMENT DE L'AMORTISSEUR	COMPRESSION BASSE VITESSE RECOMMANDÉE (SI POSSIBLE)	REBOND RAPIDE RECOMMANDÉ	COMPRESSION BASSE VITESSE RECOMMANDÉE	COMPRESSION HAUTE VITESSE RECOMMANDÉE
100 / 45	300	300	19 - 22 mm	10-11	6-7	14-15	6-7
110 / 50	300	325	19 - 22 mm	9-11	6-7	14-15	6-7
120 / 55	350	350	19 - 22 mm	8-9	6-7	14-15	6-7
130 / 59	350	375	19 - 22 mm	8-10	6-7	13-14	6-7
140 / 64	400	400	19 - 22 mm	6-7	5-6	12-13	5-6
150 / 68	400	425	19 - 22 mm	6-7	5-7	11-13	5-6
160 / 73 * Taille MD	450	450	19 - 22 mm	5-6	4-5	9-10	5-6
170 / 77	450	475	19 - 22 mm	5-6	4-5	9-11	4-6
180 / 82 * Taille LG	500	500	19 - 22 mm	4-5	4-5	9-10	4-5
190 / 86	500	525	19 - 22 mm	4-5	3-5	7-9	3-4
200 / 91 * Taille XL	550	550	19 - 22 mm	3-4	3-4	6-7	3-4
210 / 95	600	Non offert	19 - 22 mm	2-3	2-3	5-6	2-3
220 / 100	600		19 - 22 mm	2-3	2-3	5-6	2-3
230 / 105	650		19 - 22 mm	1-2	1-2	4-5	1-2
240 / 109	700		19 - 22 mm	1-2	0-1	3-4	0-1
250 / 114	Non offert		19 - 22 mm	Non offert	Non offert	Non offert	Non offert

### AMORTISSEUR PNEUMATIQUE FOX FLOAT X2 230 x 62,5 mm – ALTITUDE POWERPLAY 2022

\*Clics à partir de la position fermée : 0 clic = Position fermée\*

POIDS DE L'UTILISATEUR (LB / KG)	PRESSIION DE L'AMORTISSEUR FOX FLOAT X2	AFFAISSEMENT DE L'AMORTISSEUR	REBOND LENT RECOMMANDÉ	REBOND RAPIDE RECOMMANDÉ	COMPRESSION BASSE VITESSE RECOMMANDÉE	COMPRESSION HAUTE VITESSE RECOMMANDÉE
100 / 45	135	19 - 22 mm	11-14	5-6	14-16	6-7
110 / 50	145	19 - 22 mm	11-13	5-6	14-16	6-7
120 / 55	155	19 - 22 mm	10-12	5-6	13-15	6-7
130 / 59	165	19 - 22 mm	9-11	4-5	13-15	6-7
140 / 64	175	19 - 22 mm	8-10	4-5	12-14	5-6
150 / 68	190	19 - 22 mm	7-9	4-5	11-13	5-6
160 / 73	200	19 - 22 mm	7-9	3-4	10-12	5-6
170 / 77	210	19 - 22 mm	6-8	3-4	9-11	4-5
180 / 82	220	19 - 22 mm	6-8	3-4	8-10	4-5
190 / 86	230	19 - 22 mm	5-7	2-3	7-9	4-5
200 / 91	240	19 - 22 mm	4-6	2-3	6-8	4-5
210 / 95	255	19 - 22 mm	3-5	2-3	5-7	3-4
220 / 100	265	19 - 22 mm	2-4	2-3	4-6	3-4
230 / 105	275	19 - 22 mm	2-4	1-2	2-4	3-4
240 / 109	285	19 - 22 mm	1-3	1-2	2-4	3-4
250 / 114	295	19 - 22 mm	1-3	1-2	2-4	2-3

## Altitude Powerplay - Tableaux des ressorts

### AMORTISSEUR À RESSORTS FOX DHX2 230 x 62,5 mm – ALTITUDE POWERPLAY 2022

\*Clics à partir de la position fermée : 0 clic = Position fermée\*

POIDS DE L'UTILISATEUR (LB / KG)	PRESSIION DE L'AMORTISSEUR FOX FLOAT X	AFFAÏSSEMENT DE L'AMORTISSEUR	REBOND LENT RECOMMANDÉ	COMPRESSION BASSE VITESSE RECOMMANDÉE (SI POSSIBLE)
100 / 45	140	19 - 22 mm	12	Commencer en position ouverte et ajuster
110 / 50	145	19 - 22 mm	11-12	Commencer en position ouverte et ajuster
120 / 55	155	19 - 22 mm	11	Commencer en position ouverte et ajuster
130 / 59	165	19 - 22 mm	10-11	Commencer en position ouverte et ajuster
140 / 64	175	19 - 22 mm	10	Commencer en position ouverte et ajuster
150 / 68	185	19 - 22 mm	8-10	Commencer en position ouverte et ajuster
160 / 73	190	19 - 22 mm	8	Commencer en position ouverte et ajuster
170 / 77	200	19 - 22 mm	7-8	Commencer en position ouverte et ajuster
180 / 82	210	19 - 22 mm	7	Commencer en position ouverte et ajuster
190 / 86	220	19 - 22 mm	7	Commencer en position ouverte et ajuster
200 / 91	230	19 - 22 mm	7	Commencer en position ouverte et ajuster
210 / 95	240	19 - 22 mm	5-6	Commencer en position ouverte et ajuster
220 / 100	250	19 - 22 mm	5	Commencer en position ouverte et ajuster
230 / 105	260	19 - 22 mm	2-3	Commencer en position ouverte et ajuster
240 / 109	270	19 - 22 mm	2	Commencer en position ouverte et ajuster
250 / 114	280	19 - 22 mm	2	Commencer en position ouverte et ajuster

### AMORTISSEUR PNEUMATIQUE FOX FLOAT X2 230 x 62,5 mm – ALTITUDE POWERPLAY 2022

\*Clics à partir de la position fermée : 0 clic = Position fermée\*

POIDS DE L'UTILISATEUR (LB / KG)	POIDS DU RESSORT EN ACIER	POIDS DU RESSORT SLS DE FOX	AFFAÏSSEMENT DE L'AMORTISSEUR	REBOND LENT RECOMMANDÉ	REBOND RAPIDE RECOMMANDÉ	COMPRESSION BASSE VITESSE RECOMMANDÉE	COMPRESSION HAUTE VITESSE RECOMMANDÉE
100 / 45	300	300	19 - 22 mm	11-12	Non offert	14-15	Non offert
110 / 50	300	325	19 - 22 mm	10-11		14-15	
120 / 55	350	350	19 - 22 mm	9-11		14-15	
130 / 59	350	350	19 - 22 mm	8-9		14-15	
140 / 64	400	400	19 - 22 mm	8-10		14-15	
150 / 68	400	425	19 - 22 mm	6-7		13-14	
160 / 73 * Taille MD	450	450	19 - 22 mm	6-7		12-13	
170 / 77	450	475	19 - 22 mm	5-6		11-13	
180 / 82 * Taille LG	500	500	19 - 22 mm	5-6		9-10	
190 / 86	500	525	19 - 22 mm	4-5		9-11	
200 / 91 * Taille XL	550	550	19 - 22 mm	4-5		9-10	
210 / 95	600	Non offert	19 - 22 mm	3-4		7-9	
220 / 100	600		19 - 22 mm	2-3		6-7	
230 / 105	650		19 - 22 mm	2-3		5-6	
240 / 109	700		19 - 22 mm	1-2	5-6		
250 / 114	Non offert		19 - 22 mm	Non offert	6-7		

# Instinct Powerplay - Tableaux des ressorts

## AMORTISSEUR PNEUMATIQUE FOX FLOAT X 210 x 55 mm – INSTINCT POWERPLAY 2022

\*Clics à partir de la position fermée : 0 clic = Position fermée\*

POIDS DE L'UTILISATEUR (LB / KG)	PRESSIION DE L'AMORTISSEUR FOX FLOAT X	AFFAISSEMENT DE L'AMORTISSEUR	REBOND LENT RECOMMANDÉ	COMPRESSION BASSE VITESSE RECOMMANDÉE (SI POSSIBLE)
100 / 45	130	16 - 19 mm	12	Commencer en position ouverte et ajuster
110 / 50	140	16 - 19 mm	11-12	Commencer en position ouverte et ajuster
120 / 55	150	16 - 19 mm	11	Commencer en position ouverte et ajuster
130 / 59	160	16 - 19 mm	10-11	Commencer en position ouverte et ajuster
140 / 64	170	16 - 19 mm	10	Commencer en position ouverte et ajuster
150 / 68	180	16 - 19 mm	8-10	Commencer en position ouverte et ajuster
160 / 73	190	16 - 19 mm	8	Commencer en position ouverte et ajuster
170 / 77	200	16 - 19 mm	7-8	Commencer en position ouverte et ajuster
180 / 82	210	16 - 19 mm	7	Commencer en position ouverte et ajuster
190 / 86	220	16 - 19 mm	7	Commencer en position ouverte et ajuster
200 / 91	230	16 - 19 mm	7	Commencer en position ouverte et ajuster
210 / 95	240	16 - 19 mm	5-6	Commencer en position ouverte et ajuster
220 / 100	250	16 - 19 mm	5	Commencer en position ouverte et ajuster
230 / 105	260	16 - 19 mm	2-3	Commencer en position ouverte et ajuster
240 / 109	270	16 - 19 mm	2	Commencer en position ouverte et ajuster
250 / 114	280	16 - 19 mm	2	Commencer en position ouverte et ajuster

## AMORTISSEUR PNEUMATIQUE ROCKSHOX DELUXE 210 x 55 mm – INSTINCT POWERPLAY 2022

\*Clics à partir de la position fermée : 0 clic = Position fermée\*

POIDS DE L'UTILISATEUR (LB / KG)	PRESSIION DE L'AMORTISSEUR ROCKSHOX DELUXE	AFFAISSEMENT DE L'AMORTISSEUR	REBOND LENT RECOMMANDÉ	COMPRESSION BASSE VITESSE RECOMMANDÉE (SI POSSIBLE)
100 / 45	110	16 - 19 mm	8	Commencer en position ouverte et ajuster
110 / 50	120	16 - 19 mm	7-8	Commencer en position ouverte et ajuster
120 / 55	130	16 - 19 mm	7-8	Commencer en position ouverte et ajuster
130 / 59	140	16 - 19 mm	7	Commencer en position ouverte et ajuster
140 / 64	150	16 - 19 mm	6-7	Commencer en position ouverte et ajuster
150 / 68	160	16 - 19 mm	6-7	Commencer en position ouverte et ajuster
160 / 73	170	16 - 19 mm	6	Commencer en position ouverte et ajuster
170 / 77	180	16 - 19 mm	5-6	Commencer en position ouverte et ajuster
180 / 82	190	16 - 19 mm	5-6	Commencer en position ouverte et ajuster
190 / 86	200	16 - 19 mm	5	Commencer en position ouverte et ajuster
200 / 91	210	16 - 19 mm	4-5	Commencer en position ouverte et ajuster
210 / 95	220	16 - 19 mm	4-5	Commencer en position ouverte et ajuster
220 / 100	230	16 - 19 mm	4	Commencer en position ouverte et ajuster
230 / 105	240	16 - 19 mm	3-4	Commencer en position ouverte et ajuster
240 / 109	250	16 - 19 mm	3-4	Commencer en position ouverte et ajuster
250 / 114	260	16 - 19 mm	3	Commencer en position ouverte et ajuster

## Paliers d'amortisseur à œillet

### Entretien

Sur le cadre de votre vélo, l'œillet arrière est doté de paliers à cartouche, ce qui améliore la sensibilité aux petits chocs. Ces paliers sont soutenus par des cuvettes très fermement installées dans l'axe de l'amortisseur.



Si vous faites entretenir votre amortisseur, nous vous recommandons fortement de retirer ces composants, car les centres d'entretien de la suspension ne peuvent pas garantir leur retour.

Voici comment retirer le système :

- Utilisez la trousse d'outils pour paliers à œillet de Rocky Mountain (pièce 1810031).
- Insérez la goupille d'un côté de l'œillet.
- Fixez ensuite l'un des outils d'extraction à la cuvette où est insérée la goupille.
- Vissez la vis M8 jusqu'à ce qu'elle soit bien appuyée sur la goupille.
- Fixez l'autre outil d'extraction à l'autre cuvette.
- Vissez la vis M8 au maximum, jusqu'à ce qu'elle pousse sur la goupille de l'autre côté.
- Continuez à visser jusqu'à ce que l'une des cuvettes soit entièrement extraite.
- Insérez ensuite le poinçon dans l'œillet en l'appuyant solidement sur la cuvette qui est toujours dans l'œillet.
- Avec un marteau, frappez doucement mais fermement sur le poinçon jusqu'à ce que la cuvette soit entièrement extraite de l'œillet.

**Si vous n'avez pas la trousse d'outils pour paliers à œillet de Rocky Mountain, utilisez un extracteur de palier pour trou borgne :**

- Avec l'extracteur (embout de 8 mm), retirez les deux paliers.
- Retirez la douille centrale.
- Avec l'extracteur (embout de 10 mm), retirez les cuvettes vides.

N.B. : Le diamètre intérieur des cuvettes est de 11 mm, et donc trop petit pour l'embout de 12 mm. Ne le forcez pas. Utilisez plutôt l'embout de 10 mm.

Installez de nouvelles cuvettes avec une presse à palier ou un étau à mordaches en veillant à appuyer sur le bord extérieur des cuvettes. N'oubliez pas la douille-entretoise entre les cuvettes.



## RIDE-4

Grâce au système d'ajustement RIDE-4<sup>MC</sup>, le rider peut régler la géométrie avec précision et rapidité au moyen d'une clé hexagonale de 5 mm. Ce système est muni de deux plaques pivotantes permettant quatre configurations. Le réglage de la géométrie est un art et peut varier considérablement selon le style du rider, ses préférences, ses capacités et le type de terrain. Il est recommandé de confier cette tâche à un professionnel, mais nous croyons aussi que c'est en apprenant à ajuster soi-même son vélo qu'on peut pleinement comprendre sa performance. Pour trouver la bonne position du système RIDE-4, apportez des changements progressivement, prenez des notes et soyez méthodique. Évitez de tout régler à la hâte avant une grande sortie. Prenez votre temps et appréciez le processus.

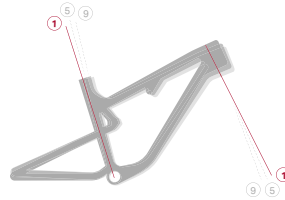
### SOYEZ PRÊTS POUR TOUS LES SENTIERS

Grâce au système d'ajustement RIDE-4<sup>MC</sup>, vous pouvez régler la géométrie avec précision et rapidité au moyen d'une clé hexagonale de 5 mm.

ANGLE PRONCÉ  
DU TUBE DE DIRECTION  
—  
SUSPENSION  
MOINS  
PROGRESSIVE



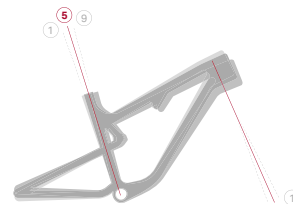
ANGLE ATTÉNUÉ  
DU TUBE DE DIRECTION  
—  
SUSPENSION PLUS  
PROGRESSIVE



#### Position

 ANGLE ATTÉNUÉ

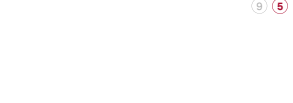
Jeu de pédalier plus bas et suspension progressive améliorant la stabilité à grande vitesse. Position recommandée pour le trail agressif.



#### Position 3

 NEUTRE

Équilibre entre la performance de la géométrie et de la suspension, adapté à toutes sortes de sentiers.

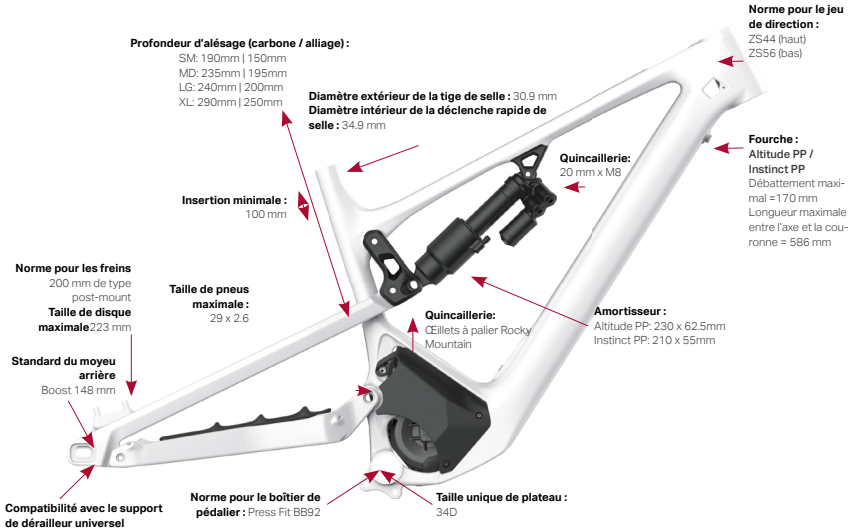


#### Position 4

 ANGLE PRONCÉ

Jeu de pédalier plus haut et suspension linéaire offrant un dégagement supérieur au pédalage, un bon support au rapport de suspension initial, et une position sur le vélo adaptée à la montée.

# Guide des dimensions



## Ajustement de l'amortisseur

Même si nous vérifions la compatibilité de nombreux amortisseurs, nous ne pouvons pas garantir que toutes les marques et tous les modèles conviendront.

Communiquez avec votre détaillant si vous avez des questions précises sur l'ajustement des amortisseurs.

## Amortisseurs approuvés pour l'Altitude Powerplay et l'Instinct Powerplay

### Fox

- FLOAT DPS
- FLOAT X
- FLOAT X2
- DHX
- DHX2

### Marzocchi

- Bomber RC

### RockShox

- Deluxe
- Super Deluxe
- Super Deluxe Coil
- \*SIDLuxe not approved

### Can Creek

- DB Coil
- DBIL Coil
- DB Air
- DBiL Air

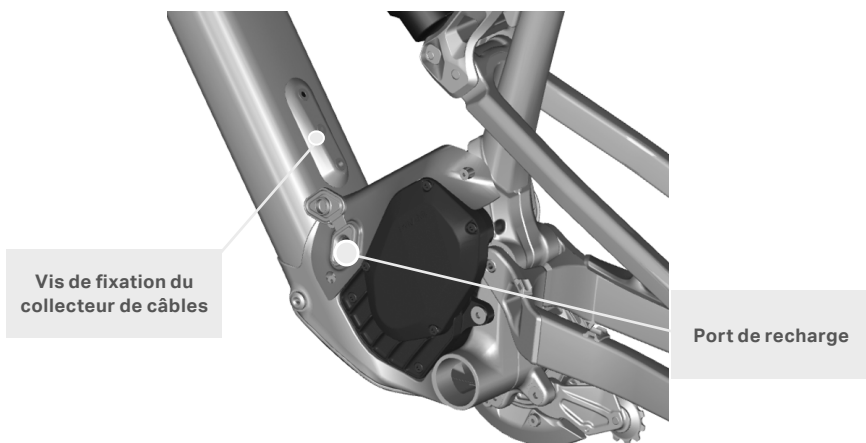
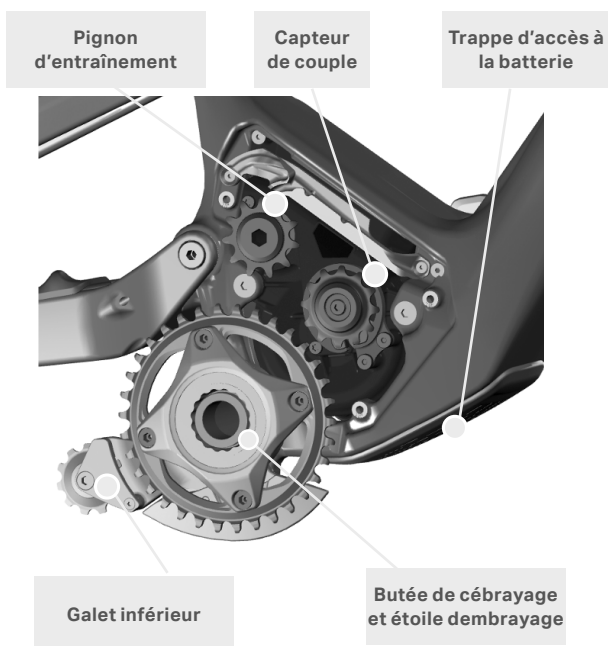
## Images

Capteur de vitesse  
sur rotor

Affichage intégré  
Jumbotron

Essieu arrière à  
deux positions



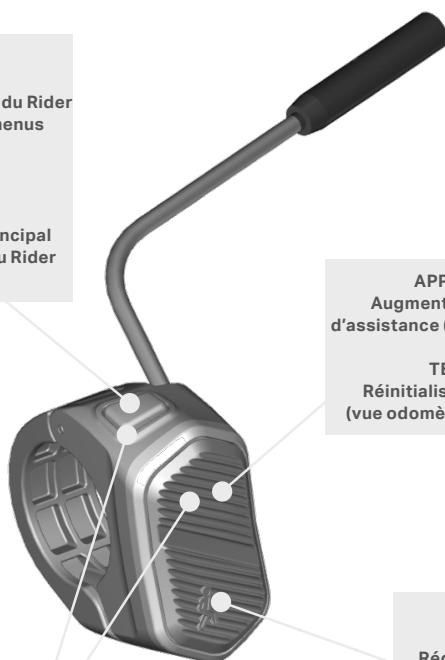


## Réglages du rider

**IPM** (interface pouce-machine, alias la télécommande)

**APPUYER**  
Faire défiler les écrans du Rider  
Naviguer dans les menus  
Ok, entrée et  
sélectionner

**TENIR**  
Accéder au menu principal  
Retourner à l'écran du Rider



**APPUYER**  
Augmenter le degré  
d'assistance (bouton «Haut»)

**TENIR**  
Réinitialiser parcours  
(vue odomètre seulement)

**APPUYER**  
Réduire le degré d'assistance  
(bouton «Bas»)

**TENIR**  
Activer le mode marche  
Retour en arrière dans le menu

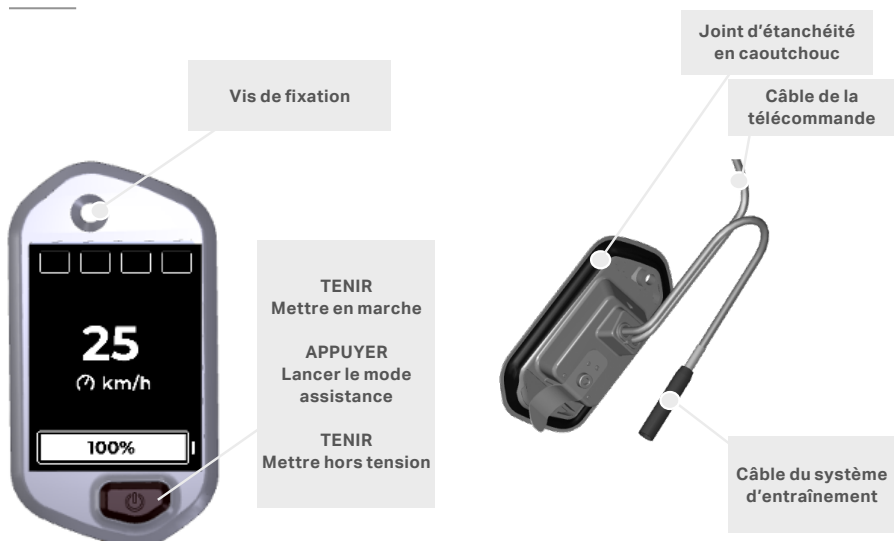
**TENIR**  
Accéder au menu de  
dépannage

## Jumbotron

L'écran du Jumbotron est le centre de communication de votre vélo Powerplay<sup>MC</sup>, qui sert à faire fonctionner le système, à afficher des renseignements et à diagnostiquer et à réparer des problèmes. Le micrologiciel sera mis à jour au besoin lorsque le vélo sera connecté à un ordinateur par le port USB.



## Écran



# Utilisation du vélo

## Avertissement

Il faut appliquer les freins avant d'appuyer sur les pédales, et même avant d'y poser le pied. Le vélo Powerplay<sup>MC</sup> est équipé d'une technologie de démarrage instantané, qui lui donne une puissance immédiate, naturelle et tout en douceur grâce à un capteur de couple perfectionné. Ce circuit étant très sensible, vous devez prendre des précautions pour éviter que le vélo démarre sans vous.

## Mise en marche

Pour mettre en marche le système d'entraînement Powerplay<sup>MC</sup>, allumez le vélo en maintenant le bouton du Jumbotron enfoncé pendant 2 secondes. N.B. : Le système d'entraînement Powerplay<sup>MC</sup> se met en marche par défaut au deuxième degré d'assistance le plus bas, que vous pouvez ensuite augmenter avec la télécommande ou le Jumbotron.

## Degrés d'assistance

Le système d'entraînement Powerplay<sup>MC</sup> offre plusieurs degrés d'assistance.

### Degré 1 : Eco

C'est le degré de puissance le plus bas : l'autonomie de la batterie est grande et le rider a beaucoup d'efforts à fournir.

### Degré 2 : Trail


Idéal pour rouler dans les sentiers, ce degré d'assistance offre un bon équilibre entre autonomie et puissance.

### Degré 3 : Trail +

Ce degré fournit assez de puissance pour assurer une conduite excitante, et une bonne vitesse pour que vous arriviez aux descentes sans avoir vidé la batterie.

### Degré 4 : Ludicrous

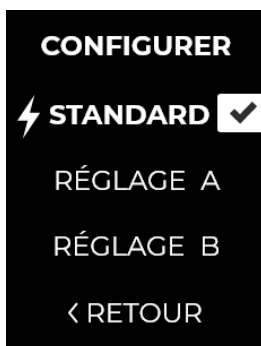
Pour une vitesse maximale et un degré d'assistance élevé, ce mode confère une très grande puissance à la roue arrière. Notez cependant que son utilisation prolongée décharge assez rapidement la batterie. Pour modifier le degré d'assistance, utilisez la télécommande (bouton « Haut » ou « Bas ») ou appuyez sur le bouton du Jumbotron.

N.B. : VOUS POUVEZ PERSONNALISER LES 4 DEGRÉS D'ASSISTANCE ET LA PROPULSION DU MOTEUR (SENSIBILITÉ DU COUPLE) À PARTIR DU MENU PRINCIPAL. BOUTON  ENFONCÉ POUR Y ACCÉDER.

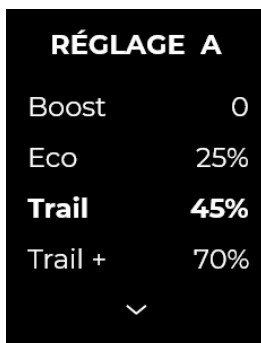
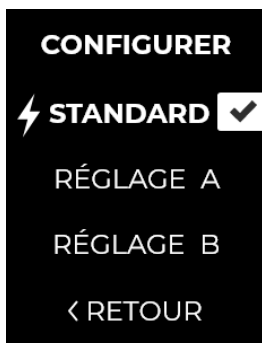
## Réglage de l'assistance

Le degré d'assistance peut être choisi ou personnalisé dès le début du trajet ou à tout moment pendant la sortie. Le système Dynam<sup>MC</sup> 4.0 garde en mémoire jusqu'à trois réglages : le réglage d'origine et deux réglages personnalisables. Le choix du réglage dépend de la réponse voulue.

### Sélection du réglage



### Ajustement des réglages



#### 2 paramètres réglables

- Boost : Réponse du moteur à l'impulsion donnée par le rider (sensibilité du couple ou % de propulsion).

- Mode d'assistance : % de puissance des quatre degrés d'assistance.



## Propulsion du moteur



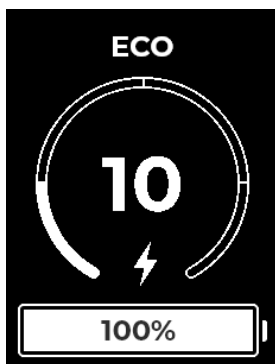
### Réglage de + 2 à - 2

**+2** Très peu d'efforts à fournir. Propulsion maximale, autonomie minimale : filez à toute allure!

**0** Équilibre entre propulsion et autonomie.

**-2** Effort considérable à fournir, autonomie maximale : meilleur entraînement.

## Puissance des degrés d'assistance



### Réglage de 1 % à 100 %

Choix de la puissance de chacun des quatre degrés d'assistance (Eco, Trail, Trail +, Ludicrous), soit le pourcentage de la puissance maximale disponible.

Il est impossible de régler la puissance d'un degré d'assistance à une valeur plus basse que celle d'un degré d'assistance inférieur (p. ex., le pourcentage attribué au degré Trail ne peut être inférieur à celui du degré Eco).

# Batterie

---

Les commandes, les moteurs et les composants de batterie des modèles Powerplay<sup>MC</sup> sont exclusifs. Parfois sensibles, ils doivent être manipulés avec précaution. Nous souhaitons que vous ayez le plus d'information possible : veuillez donc prendre note des nouveaux renseignements suivants concernant la batterie, la charge et l'entretien du système Powerplay<sup>MC</sup> de Rocky Mountain.

Le non-respect des directives de cette section du guide peut endommager les composants électriques de votre vélo, annule la garantie et, surtout, peut entraîner des blessures graves, voire mortelles.

## Généralités

- Les batteries des appareils Powerplay<sup>MC</sup> de Rocky Mountain ont toutes les certifications nécessaires et sont munies d'un système de gestion qui offre plusieurs niveaux de protection pour prévenir les dangers. Malgré ces mesures de sécurité, une batterie chargée qui atteint une température extrême ou un port de chargement endommagé peuvent être dangereux et causer des chocs électriques, des incendies ou des blessures.
- Si votre batterie ou votre chargeur semblent endommagés de quelque manière que ce soit, ne les utilisez pas et apportez-les immédiatement chez votre détaillant Rocky Mountain autorisé pour les faire inspecter.
- L'entretien de la batterie, du mécanisme d'entraînement, ainsi que de tout composant exclusif du système Powerplay<sup>MC</sup> devrait être effectué uniquement par un mécanicien ayant suivi la formation de Rocky Mountain sur ce système.
- Ne laissez jamais d'objet petit, tranchant ou métallique entrer en contact avec la batterie ou sa prise de recharge.
- Ne tentez jamais de modifier, d'ouvrir ou de démonter la batterie ou le chargeur.
- Ne nettoyez jamais votre Powerplay<sup>MC</sup> avec un nettoyeur à haute pression, et ne l'immergez jamais dans l'eau. La pluie et le nettoyage ordinaire ne causeront pas de problème.
- En bon état, les batteries ne libèrent pas de liquides ou de gaz, mais une batterie endommagée peut libérer du liquide irritant ou corrosif pour la peau, et des gaz irritants pour les voies respiratoires. En cas de blessure cutanée ou oculaire causée par le liquide, rincez immédiatement la blessure à l'eau et consultez un médecin.

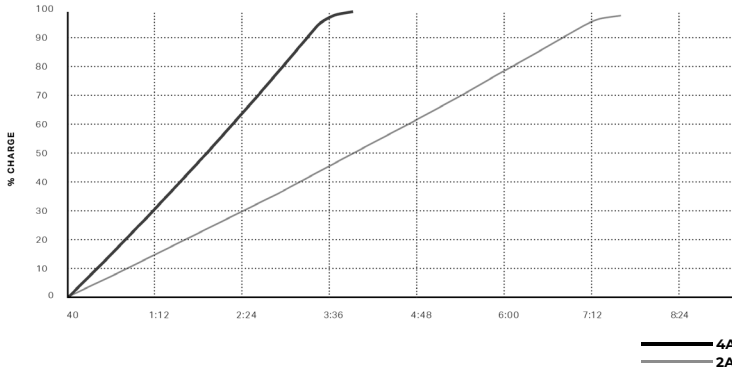
- Si vous transportez votre vélo par voiture et que vous en retirez la batterie, recouvrez toutes les connexions pour éviter que du gravier, de l'eau ou du sel s'y introduise.
- En cas d'incendie de la batterie, ne versez pas d'eau directement sur celle-ci. Il est possible d'utiliser de l'eau pour éteindre le feu sur les matériaux autour de la batterie, mais pas sur les cellules chimiques de la batterie. Pour éteindre correctement le feu, utilisez un **extincteur de classe ABC ou BC**. Il est également possible d'utiliser du sable pour bien étouffer le feu. Si possible, sans vous exposer à un risque de blessure, déplacez la batterie chaude ou enflammée ou la bicyclette entière à l'extérieur pour éviter que le feu ne se propage. Si la batterie est branchée sur un chargeur, il est primordial de la débrancher en premier lieu ou de couper le courant.

## Recharge

- Utilisez uniquement les chargeurs Rocky Mountain conçus pour recharger les batteries Powerplay<sup>MC</sup>.
- Ne laissez pas le chargeur exposé à la lumière directe du soleil, en particulier durant la recharge.
- **Pour recharger la batterie :**
  1. Trouvez le port de chargement sur le vélo Powerplay<sup>MC</sup> et ôtez le protecteur.
  2. Notez la forme du connecteur du câble de recharge, puis orientez le connecteur dans le bon sens pour brancher le chargeur sur le port de chargement du vélo Powerplay<sup>MC</sup>.
  3. Branchez le chargeur sur une prise électrique. Le voyant à DEL du chargeur s'allumera en rouge pour indiquer que la batterie se recharge.
  4. Une fois la recharge terminée, le voyant à DEL deviendra vert. Il n'est pas obligatoire de débrancher le chargeur immédiatement lorsque la recharge est terminée, mais il ne faut pas laisser le vélo branché sur le chargeur pendant plus de 12 heures.
- Chargez le vélo Powerplay<sup>MC</sup> dans un endroit ouvert offrant un accès dégagé vers une sortie extérieure.
- Comme pour tous les vélos et équipements munis de batteries au lithium-ion, il est recommandé de ne jamais recharger le vélo sans surveillance.
- Si la batterie atteint 50 °C (122 °F), la recharge sera interrompue jusqu'à ce que la température redescende à 45 °C (113 °F). Si la batterie atteint 0 °C (32 °F), la recharge sera interrompue jusqu'à ce que la température remonte à 3 °C (37,4 °F).
- Le temps de recharge varie en fonction de la charge restante.

- Voici les durées de recharge :

	4A charger	2A charger
Time to charge from 0–80%	2h55	6h00
Time to charge from 0–95%	3h25	7h00
Total charge time from 0–100%	3h55	7h35



- Il n'est pas nécessaire de recharger complètement la batterie chaque fois, mais il est recommandé de le faire une fois toutes les 10 recharges.

## Remisage

- Pour remisage le vélo Powerplay<sup>MC</sup>, laissez-le dans un endroit qui n'est pas exposé aux températures extrêmes (supérieures à 65 °C ou inférieures à -30 °C), ou sujet à une exposition excessive au soleil, à l'humidité ou à la condensation. Si vous croyez que votre vélo a été entreposé dans l'une des conditions énumérées ci-haut, veuillez en cesser immédiatement l'utilisation et contactez votre détaillant Rocky Mountain autorisé.
- Le remisage d'une batterie complètement déchargée pendant une période prolongée peut causer des dommages et diminuer sa capacité. Il est recommandé de recharger la batterie à au moins 75 % de sa capacité lorsque c'est possible pour éviter les dommages et par le fait même l'annulation de la garantie.
- Si le vélo est entreposé longtemps, il faut recharger la batterie régulièrement (au moins une fois tous les trois mois) pour conserver sa capacité et éviter qu'elle s'endommage. Un truc pour ne pas l'oublier : programmer des rappels sur un ordinateur ou un appareil mobile.
- Une pratique exemplaire pour préserver la capacité de la batterie consiste à entreposer le vélo à des températures entre 10 °C (50 °F) et 25 °C (77 °F) et à un taux d'humidité relative inférieur à 65 %.

## Fonctionnalité de la batterie

- La batterie fonctionne par temps froid, mais à capacité réduite. On peut s'attendre à 70 % de la capacité maximale à -10 °C (14 °F). Il est recommandé de réchauffer le vélo avant de l'utiliser s'il est froid.
- Si la batterie atteint 65 °C (149 °F), elle cessera de fonctionner par mesure de protection jusqu'à ce qu'elle redescende sous 60 °C (140 °F). Elle cessera aussi de fonctionner par mesure de protection si elle atteint -20 °C (-4 °F) jusqu'à ce que sa température remonte à -15 °C (5 °F).
- Lorsque la capacité résiduelle de la batterie est faible, le système d'entraînement PowerplayMC réduit progressivement sa puissance de sortie pour maximiser son autonomie.
- Notez que les batteries lithium-ion perdent progressivement leur capacité en fonction de leur âge et de leur utilisation. Une diminution importante de la capacité peut indiquer que la batterie approche de sa fin de vie utile et doit être remplacée. Visitez votre détaillant autorisé Rocky Mountain pour effectuer le remplacement de la batterie. Sous des conditions normales d'utilisation, vous pouvez espérer :

### Batterie de 720 Wh

80 % de sa capacité après 500 cycles de charge complets  
(de 0 % à 100 %).

## Voyant DEL de la batterie

- Pendant la recharge

Blanc : 100 % à 75 %

Vert : 74,9 % à 50 %

Jaune : 49,9 % à 25 %

Rouge : moins de 24,9 %

- Codes d'erreur (voyant DEL clignotant)

Rouge : Arrêtez le vélo et rendez-vous chez un détaillant.

Jaune : Attendez 15 minutes.

Bleu : Trop froid! Réessayez lorsqu'il fera plus chaud.

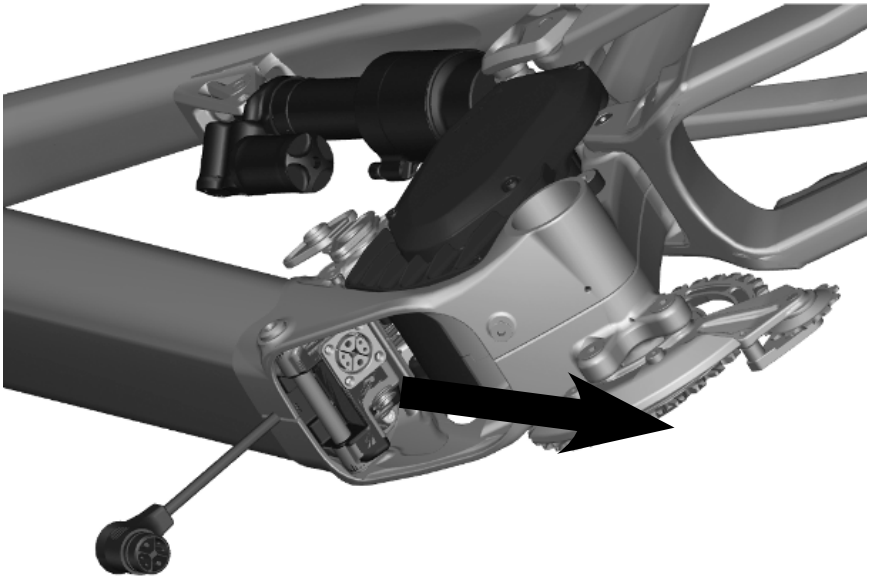
## Désinstallation

La batterie du vélo Powerplay<sup>MC</sup> est amovible. Sa fixation solide avec des vis hexagonales de 4 mm évite les cliquetis.



- Retirez la vis du couvercle protecteur et le couvercle protecteur lui-même.

- Débranchez le connecteur de la batterie.
- Dévissez la vis de fixation de la batterie. Attention de ne pas échapper la batterie!
- Retirez la batterie du tube diagonal.



## Installation

Suivez les étapes précédentes dans l'ordre inverse; pour éviter de coincer les câbles d'alimentation, placez-les hors de la trajectoire de la batterie.

### AVERTISSEMENT

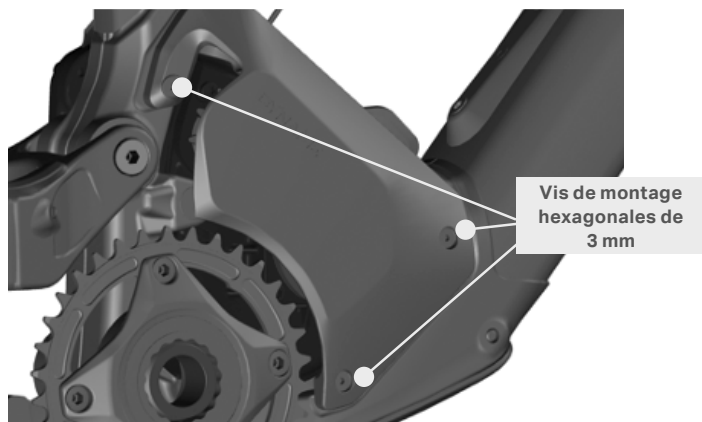
Un câble d'alimentation endommagé peut être dangereux et causer des chocs électriques, des incendies ou des blessures.

## Moteur

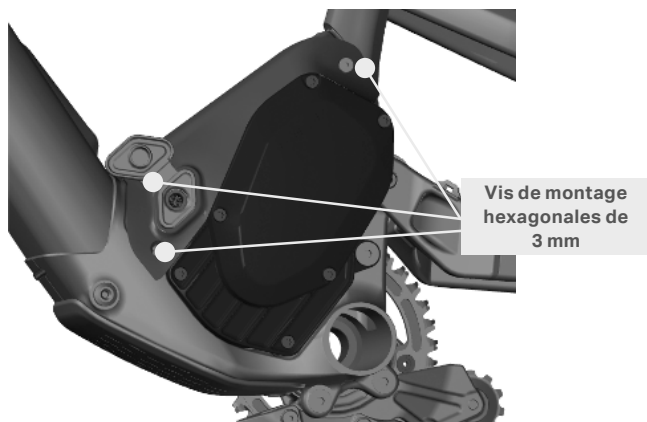
### Désinstallation du système d'entraînement

Voici comment retirer le moteur du cadre.

- Éteignez le vélo.
- Dévissez les trois vis de montage et retirez le couvercle latéral du moteur, côté transmission.

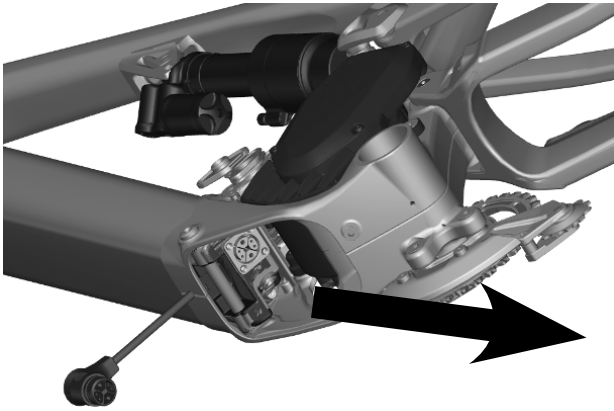


- Dévissez les trois vis de montage et retirez le couvercle de l'autre côté du moteur

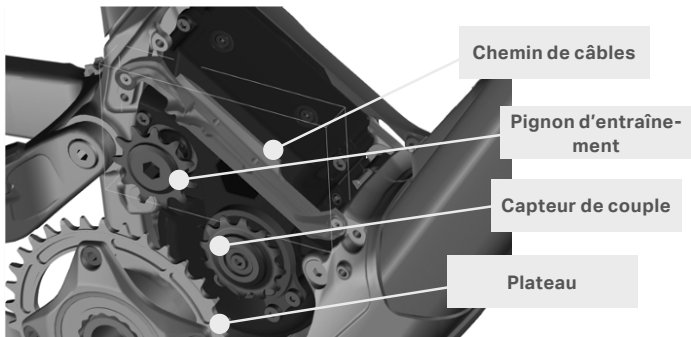




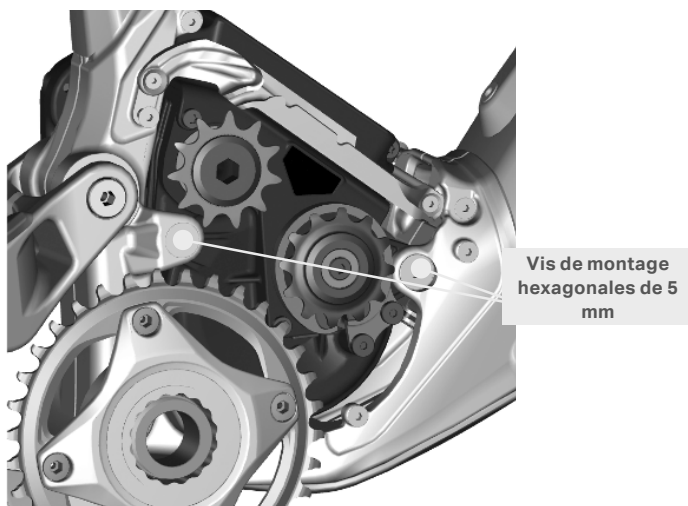
- Retirez la batterie selon les instructions figurant à la page 55.



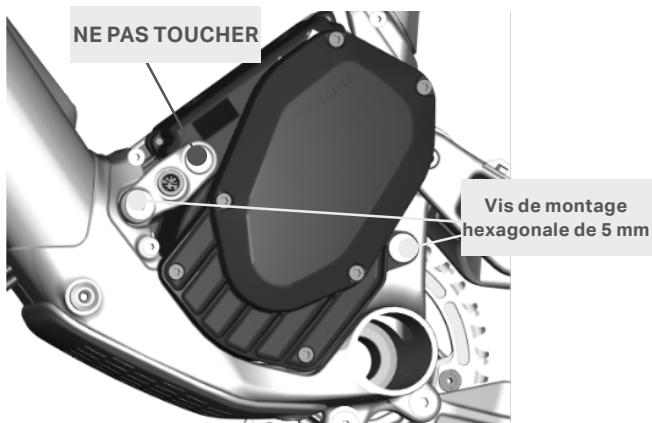
- Côté transmission, trouvez le chemin de câbles. Retirez les attaches autobloquantes et débranchez le capteur de vitesse (prise JAUNE).
- Retirez la chaîne du plateau, du pignon d'entraînement et du capteur de couple.



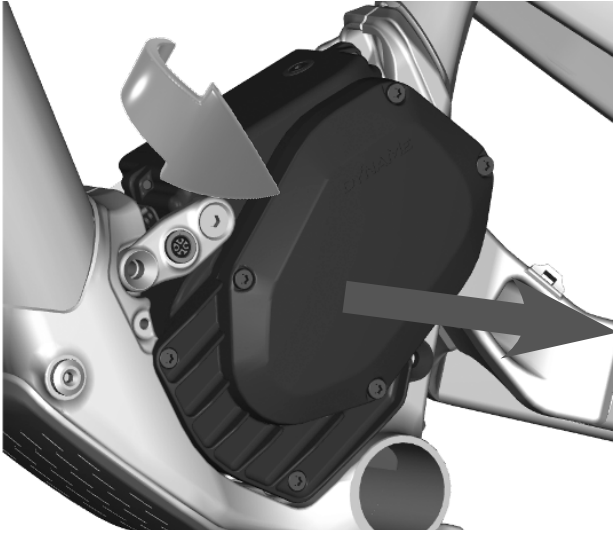
- Retirez les deux vis de montage qui maintiennent le moteur en place du côté opposé à la transmission



- Retirez les deux vis de montage qui maintiennent le moteur en place du côté opposé à la transmission. À noter que le port de chargement reste sur le support de fixation avec le moteur. Ne retirez pas cette vis hexagonale de 5 mm.



- Déconnectez la télécommande (prise ROUGE).
- Retirez l'entièrement du moteur par le côté opposé à la transmission en faisant un léger mouvement de rotation pour éviter que le pignon d'entraînement bute contre le cadre.



Pour réinstaller le moteur, suivez tout simplement les étapes ci-dessus dans l'ordre inverse en vous référant aux spécifications de couple suivantes.

- Vis de montage du moteur: 14 Nm
- Vis de montage du couvercle : 1.5 Nm

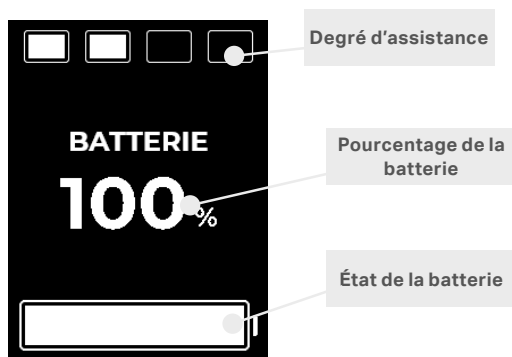
## Écrans du rider

Selon la sélection, l'écran affiche un type d'information tout en montrant les données importantes.

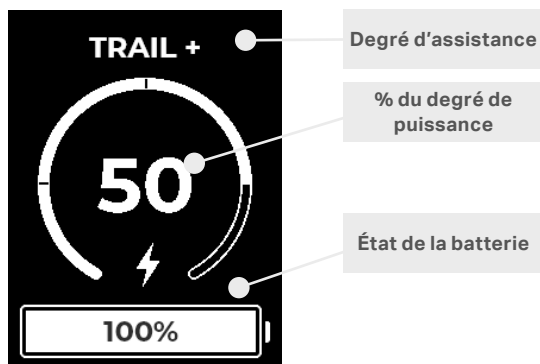
### Affichage de la vitesse



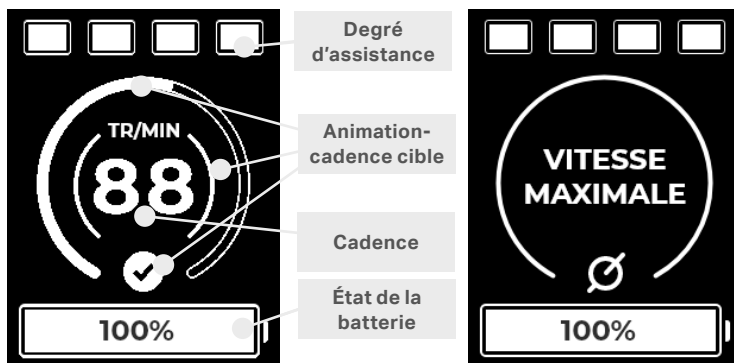
### Affichage de la batterie



## Affichage de l'assistance

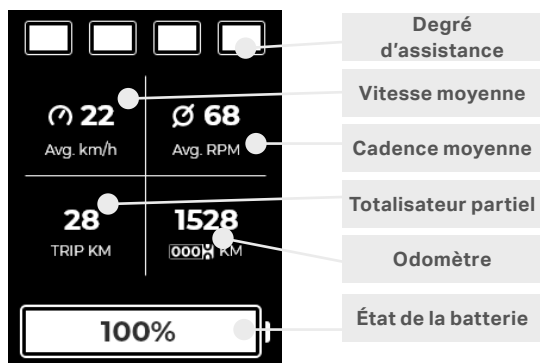


## Affichage de la cadence



À noter que la cadence est évaluée selon le nombre de tr/min du moteur et qu'il s'agit d'une estimation. Ainsi, lorsque le moteur est arrêté (ex. : au dessus de la vitesse maximale), la cadence n'est pas mesurée.

## Affichage de l'odomètre



## Réinitialisation

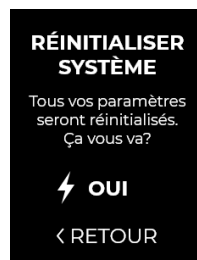
Les données sur le trajet (vitesse moyenne, cadence moyenne, distance) peuvent être réinitialisées en tout temps, et le système Dynamé peut être restauré aux paramètres par défaut.

### Réinitialisation du trajet



Dans l'affichage de l'odomètre, maintenez enfoncé le bouton « Haut » sur la télécommande.

ou



À partir de n'importe quel écran, ouvrez le menu principal en maintenant le bouton ⚡ enfoncé. Sélectionnez **Paramètres**, puis **Réinitialiser système**.

## Mode marche

Le système d'entraînement Powerplay<sup>MC</sup> est doté d'un mode marche pour vous aider à faire avancer le vélo en marchant. Sur la télécommande, maintenez le bouton « Bas » enfoncé pour propulser doucement le vélo lorsque vous le poussez.

⚠ Vous ne pouvez pas utiliser le mode marche pendant que vous êtes sur le vélo. Vous devez marcher à côté.

## Mise hors tension

Pour mettre le système d'entraînement Powerplay<sup>MC</sup> hors tension, maintenez le bouton du Jumbotron enfoncé. Si le vélo est immobile pendant 10 minutes, le système s'éteint automatiquement pour conserver la charge de la batterie.

# Notes

---

## Télécommande endommagée

Si la télécommande est endommagée et ne fonctionne plus, vous pouvez continuer de faire du vélo au degré d'assistance voulu avec le Jumbotron. N.B. : Les menus et réglages ne sont pas accessibles sur le Jumbotron sans la télécommande.

## Autonomie

La distance pouvant être parcourue avec la fonction de pédalage assisté varie selon plusieurs facteurs : degré d'assistance, température ambiante, propulsion du moteur, vitesse d'accélération, résistance au vent, qualité de l'entretien, âge de la batterie, relief du terrain (montées, obstacles) et poids du cycliste.

## Conseils de conduite

- Le système d'entraînement Powerplay<sup>MC</sup> donne une puissance naturelle et tout en douceur à la roue arrière; il fonctionnera mieux si vous suivez les consignes suivantes.
- Privilégiez un pédalage doux et constant plutôt qu'un coup de pédale raide.
- Changez fréquemment de vitesse pour maintenir une cadence de 80 à 120 tr/min et ainsi optimiser l'efficacité du moteur, ce qui se traduit par un couple élevé et un rendement maximal de la batterie. Vérifiez votre cadence sur le Jumbotron pour connaître l'efficacité de votre pédalage.
- Faites attention lors des changements de vitesse.
  - Diminuez la pression sur les pédales avant un changement pour éviter de soumettre la chaîne à une tension.
  - Ne changez pas plus d'une vitesse à la fois.

## Entretien

### Diagnostic et réparation

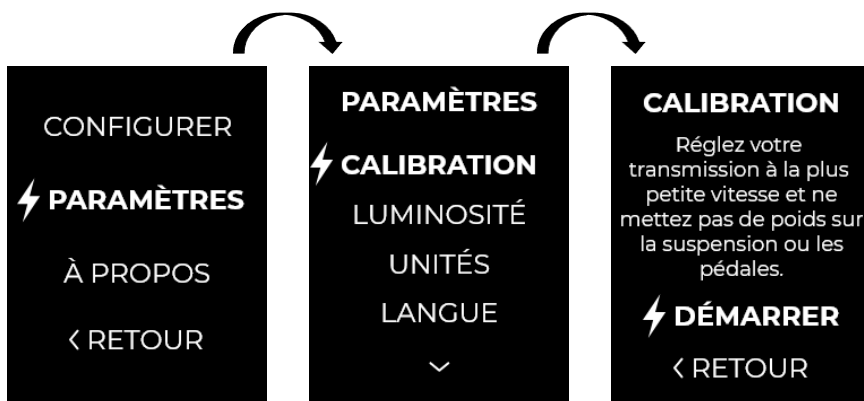
Le Jumbotron affiche des messages d'erreur et donne des instructions de réparation dans certains cas.

#### Exemple



### Étalonnage

L'étalonnage pourrait parfois être requis pour maintenir la performance du système d'entraînement. Généralement, on l'effectue chaque fois qu'un composant de la transmission (chaîne, plateau, pignon d'entraînement, etc.) est remplacé ou que le moteur est réinstallé sur le cadre.





## Dépannage

Veillez demander l'aide de votre détaillant pour résoudre les problèmes. L'écran du Jumbotron peut générer des codes d'erreur pour faciliter le diagnostic. Lorsqu'un code d'erreur apparaît, le système donne des instructions. Dans certains cas, il est possible de faire une réparation sur-le-champ, mais il pourrait parfois être nécessaire de se rendre chez un détaillant autorisé. Certaines erreurs activent un mode ralenti qui vous permet de retourner à la maison à basse puissance.

## Norme pour le boîtier de pédalier

Le système d'entraînement Powerplay<sup>MC</sup> est doté d'un boîtier de pédalier Press Fit BB92.

### NOTE:

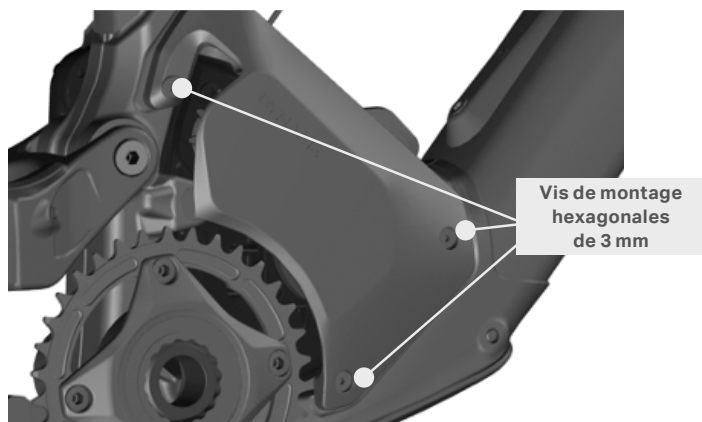
- Ce boîtier laisse un espace pour l'étoile d'embrayage sur l'axe de Race Face.
- UTILISEZ L'ÉTOILE D'EMBRAYAGE COMPATIBLE AVEC LES PLATEAUX RACE FACE OU SRAM EAGLE. CE SONT LES SEULS PLATEAUX APPROUVÉS.

## Passage des câbles

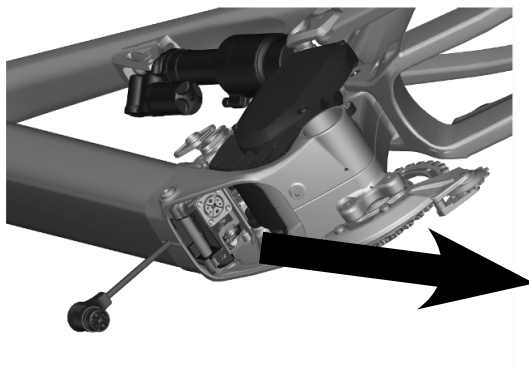
### Câbles de dérailleur

Voici comment remplacer une gaine de câbles de dérailleur usée.

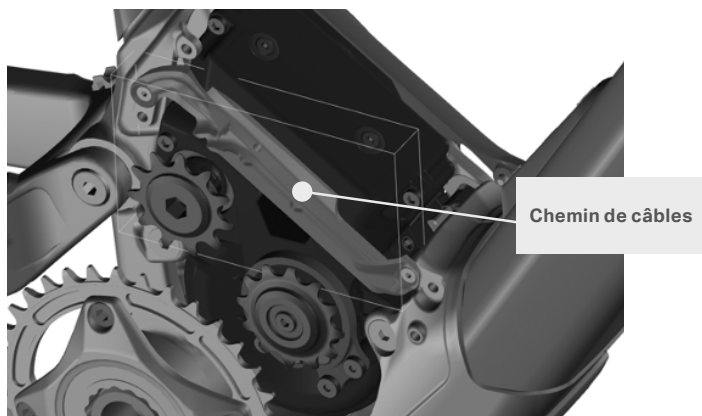
- Dévissez les trois vis de montage et retirez le couvercle latéral du moteur, côté transmission.



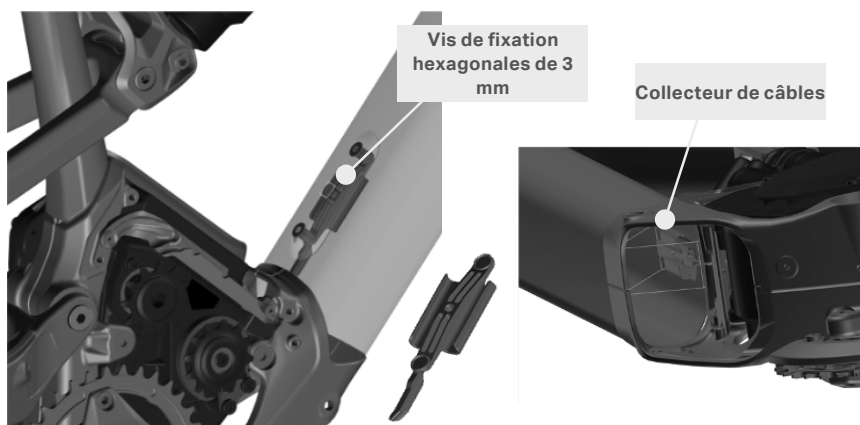
- Retirez la batterie selon les instructions figurant à la page 55.



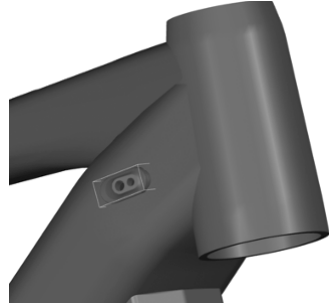
- Coupez et retirez les attaches autobloquantes qui fixent les câbles et les fils au chemin de câbles, côté transmission. NOTEZ LA POSITION DE LA GAINE SUR LE CHEMIN DE CÂBLES.



- Desserrez la vis hexagonale de 3 mm entre les vis du support à bouteille d'eau pour libérer le collecteur de câbles à l'INTÉRIEUR du tube diagonal. Les câbles s'enlèvent par les côtés du collecteur, à l'intérieur du tube.



- Retirez le port de câble (carbone) ou le passe-câble en caoutchouc (alliage) du côté droit du tube diagonal.

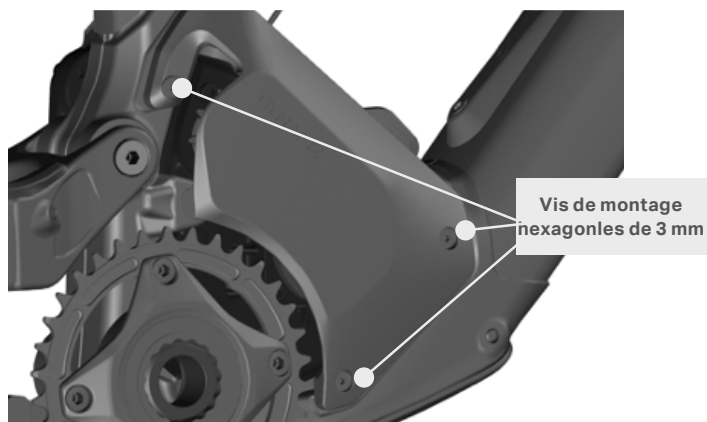


- Retirez la vieille gaine et les câbles.
- De L'ARRIÈRE vers l'AVANT, insérez les câbles de dérailleur derrière la base.
- Faites passer les câbles de dérailleur dans le chemin de câbles, puis à l'intérieur du tube diagonal.
- Glissez les câbles de dérailleur jusqu'à l'avant du vélo et faites-les sortir par le port.
- Faites passer les câbles de dérailleur dans le collecteur, tendez-les, puis vissez le collecteur dans le tube diagonal avec les vis hexagonales de 3 mm.
- Attachez les câbles et les fils au chemin de câbles du côté transmission du moteur avec des attaches autobloquantes.
- Installez le guide-câbles du pivot principal.
- Coupez et ajustez les câbles et la gaine du dérailleur.
- Réinstallez le port ou le passe-câble en caoutchouc par-dessus les câbles de dérailleur.
- Réinstallez la batterie.

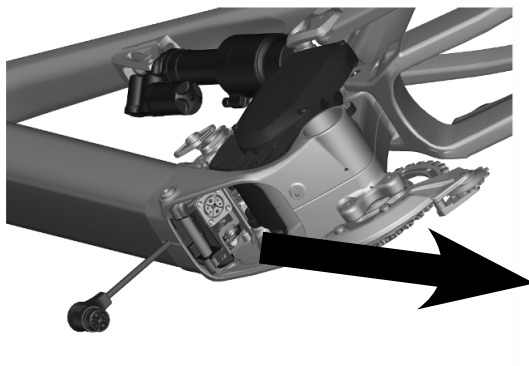
## Câble de frein

Voici comment remplacer le câble de frein arrière.

- Dévissez les trois vis de montage et retirez le couvercle latéral du moteur, côté transmission.

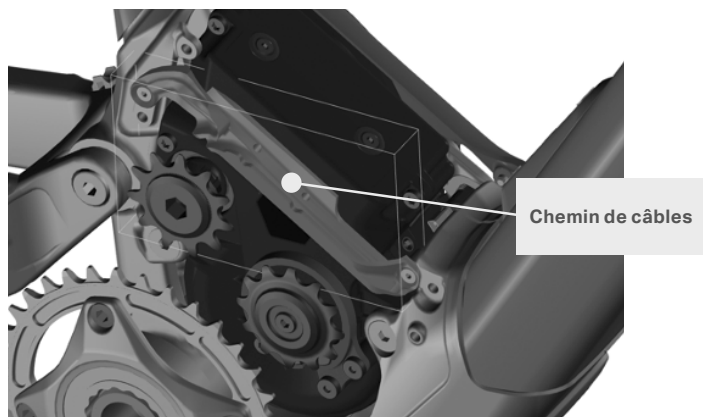


- Retirez la batterie selon les instructions figurant à la page 55.

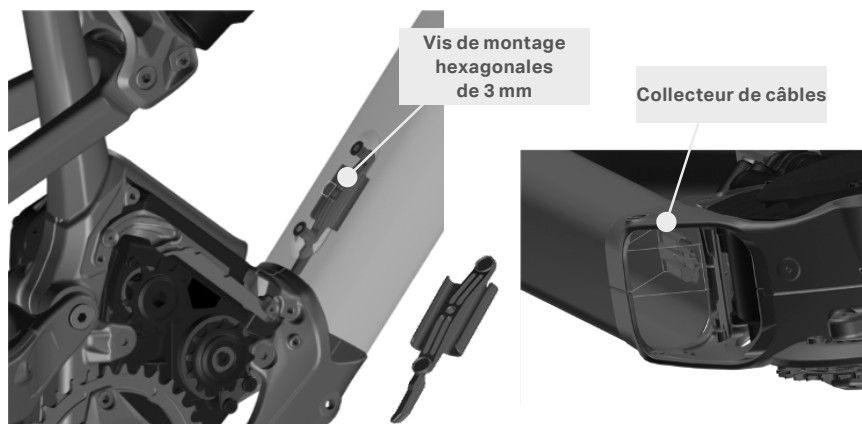


- Coupez et retirez les attaches autobloquantes qui fixent les câbles et les fils au chemin de câbles, côté transmission.

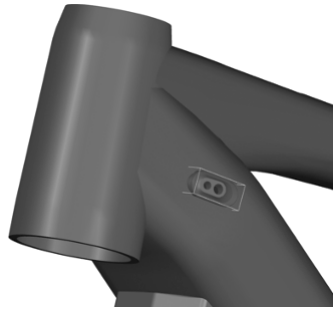
NOTEZ LA POSITION DU CÂBLE SUR LE CHEMIN DE CÂBLES.



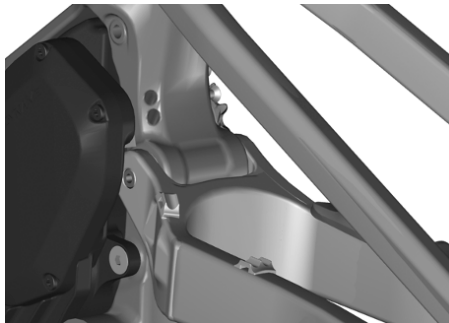
- Desserrez la vis hexagonale de 3 mm entre les vis du support à bouteille d'eau pour libérer le collecteur de câbles à l'INTÉRIEUR du tube diagonal. Les câbles s'enlèvent par les côtés du collecteur, à l'intérieur du tube.



- Retirez le port de câble (carbone) ou le passe-câble en caoutchouc (alliage) du côté gauche du tube diagonal.



- Retirez l'ancien câble. Mesurez le nouveau pour qu'il soit de la même longueur.
- De l'arrière vers l'avant, installez le câble sur l'étrier de frein, puis faites-le passer le long de la base vers le trou inférieur à l'arrière du tube de selle.



- Faites passer le câble de frein sur la partie supérieure du chemin de câbles et dans le tube diagonal.
- Faites passer le câble de frein dans le collecteur, tendez-le, puis vissez le collecteur dans le tube diagonal avec les vis hexagonales de 3 mm.
- Attachez le câble de frein, les câbles et les fils au chemin de câbles, côté transmission, avec des attaches autobloquantes.
- Sortez le câble de frein par l'ouverture gauche du port près du tube de direction, puis réinstallez le couvercle ou le passe-câble.
- Réinstallez le couvercle du moteur, côté transmission.
- Réinstallez la batterie.

# Entretien général

---

Sachez que les composants des vélos à assistance électrique subissent une tension et une contrainte plus grandes que ceux des vélos de montagne traditionnels. Ils doivent donc être inspectés et entretenus plus fréquemment pour optimiser leur sécurité, leur performance et leur durabilité.

## Recharge hors saison

Si vous entreposez le vélo pour une longue période, n'oubliez pas de recharger la batterie au moins une fois tous les trois mois. Sinon, elle risque de s'endommager, et sa capacité pourrait diminuer. Après un mois d'entreposage, la batterie entrera en mode de protection. Pour la sortir de ce mode, branchez-la sur le chargeur.

Un bon moyen de ne pas oublier la recharge consiste à programmer des rappels sur un ordinateur ou un appareil mobile.

## Nettoyage

L'idéal est de garder son vélo bien propre. La meilleure méthode pour le nettoyer est d'utiliser de l'eau chaude savonneuse. N'utilisez pas de nettoyeur à pression.

N.B. : N'aspergez jamais directement les composants électriques.

## Entretien préventif

**Nettoyez la transmission et inspectez-la pour vous assurer qu'elle est exempte d'usure.**

- Chaîne
- Cassette
- Galets (inférieur, dérailleur)
- Plateau
- Pignon d'entraînement

## Examinez les vis et fixations

- Fixations habituelles sur un vélo (pivots, potence, vis de pédalier, vis de plateau)
- Supports du moteur
- Support du capteur de couple
- Goupille de sûreté pour la batterie
- Tension des rayons
- Plaquettes et disques de freins
- Propreté et protection du port de chargement



## Entretien

Entretien et ajustement périodiques	Liste de vérification					Notes
	500KM	1000KM	1500KM	2000KM	2500KM	
Chaîne – inspection de l'usure, nettoyage et lubrification	Avant chaque sortie					Vérifier l'état (étirement, fissures) et lubrifier la chaîne
Port de chargement	Avant chaque recharge					Vérifier l'infiltration d'eau, la corrosion, l'alignement des broches et la saleté
Capteur de couple – étalonnage						OU à chaque remplacement d'un composant du système d'entraînement ou de la transmission
Vis de fixation du moteur	●	●	●	●	●	Vérifier le couple
Pignon d'entraînement et contre-écrou	●	●	●	●	●	Vérifier l'état; les remplacer s'ils sont trop usés
Capteur de couple et galet tendeur	●	●	●	●	●	Vérifier la présence de fissures ou de dommages
Boîtier et couvercle du moteur		●		●		Vérifier la présence de fissures ou de dommages
Câbles du moteur		●		●		Vérifier l'isolation et l'état des connecteurs
Boîtier de la batterie	Chaque fois que la batterie n'est pas sur le vélo					Vérifier si le boîtier et le connecteur sont endommagés
Télécommande et câble du guidon	●	●	●	●	●	Vérifier si le boîtier et le connecteur sont endommagés
Écran et câble sur le tube horizontal display & câble	●	●	●	●	●	Vérifier s'il y a un jeu excessif ou si l'écran est endommagé
Câble du tube diagonal	●	●	●	●	●	Vérifier si le boîtier et le connecteur sont endommagés
Capteur de vitesse et fil	Chaque fois que la roue est retirée du vélo					Vérifier si le boîtier et le connecteur sont endommagés et si les aimants sont bien fixés
Chaîne – nettoyage et lubrification		●		●		Vérifier l'état et lubrifier la chaîne
Chaîne – remplacement	Tous les 2 500 km					Vérifier l'état pour prévenir l'usure à l'intérieur du moteur et le bruit
Butée de débrayage du moteur – remplacement	Tous les 2 500 km					Vérifier que le débrayage se fait en douceur
Étoile d'embrayage – Remplacement	Tous les 2 500 km					Vérifier que l'embrayage se fait en douceur

## Transport

---

Le transport et l'expédition d'un vélo doté du système d'entraînement Powerplay<sup>MC</sup> peuvent être soumis à des restrictions et nécessiter un traitement spécial en ce qui concerne la manutention, l'étiquetage et l'emballage. Prenez soin de bien vous renseigner à l'avance sur la réglementation en vigueur dans votre pays. Si vous transportez votre vélo par voiture et que vous en retirez la batterie, recouvrez toutes les connexions pour éviter que du gravier, de l'eau ou du sel s'y introduise.

## Enregistrement

---

L'enregistrement de votre vélo marque votre entrée officielle dans la famille Rocky Mountain, et c'est une étape importante pour en activer la garantie. Ainsi, en cas de besoin, nous pourrions traiter le problème efficacement pour vous faire remonter en selle aussitôt que possible. L'enregistrement est facile et ne prend que quelques minutes.

**Enregistrez votre vélo : [bikes.com/register](https://bikes.com/register)**

## Garantie

Votre vélo Powerplay<sup>MC</sup> est assorti d'une garantie contre les défauts de matériaux et de fabrication, dont voici les dispositions.

Catégorie	Durée	Notes
Cadre	5 ans	Triangles avant et arrière
Quincaillerie	1 an	Pivots, axes, etc.
Composants électroniques	3 ans	Système d'entraînement, télécommande, Jumbotron, capteurs, chargeur
Pièces de la transmission exposées à l'usure	1 an	Galets, pignons, chaîne et paliers
Batterie	24 mois	<p>Le système d'entraînement Powerplay<sup>MC</sup> fera progressivement diminuer le degré d'assistance à mesure que la batterie se décharge afin de fonctionner le plus longtemps possible.</p> <p>L'autonomie varie selon plusieurs facteurs : degré d'assistance, température ambiante, accélération, résistance au vent, qualité de l'entretien, âge de la batterie, relief du terrain (montées, obstacles) et poids du cycliste.</p> <p>Si le vélo est entreposé pour trois mois ou plus, chargez la batterie au moins tous les trois mois. Le non-respect de cette directive peut endommager la batterie et annule la garantie.</p>
Autres pièces	Selon la garantie du fabricant	

C'est au détaillant autorisé ayant vendu le vélo ou le cadre de gérer tout service après-vente ou lié à la garantie. Rocky Mountain garantit le cadre contre les défauts de matériaux et de fabrication selon sa composition et le type d'utilisation du vélo à partir de la date d'achat.

### Composition du cadre et type d'utilisation

- Fibre de carbone : Garantie limitée de 5 ans\*
- Aluminium – suspension avant et double suspension : Garantie limitée de 5 ans\*
- \* Les limites sont décrites plus loin.

## Autres protections de la garantie contre les vices de matériaux et de fabrication

- Revêtement – peinture et autocollants : 1 an
- Quincaillerie du cadre, suspension, pivots et bagues : 1 an
- Pivots et bagues : 6 mois

### **NOTE: La garantie ne s'applique pas dans les cas suivants :**

- Vélo ayant déjà servi à des fins commerciales (location, messagerie, police, sécurité, etc.).
- Vélo sur lequel on a installé des composants, pièces ou accessoires qui ne sont pas destinés ou adaptés au vélo comme il a été vendu.
- Vélo Rocky Mountain acheté auprès d'un détaillant non autorisé.
- Vélo ou cadre Rocky Mountain acheté sur le site Web d'un tiers (comme eBay), peu importe ce qu'indique l'annonce.

### **Précisions sur les exclusions :**

- A. L'usure normale des pneus, des chambres à air, des freins, des câbles de vitesse, des patins de frein, etc. n'est pas couverte. Votre détaillant Rocky Mountain autorisé vous expliquera ce qui entre dans l'entretien normal.
- B. Les dommages résultant d'un accident, d'une utilisation inadéquate ou abusive, et les dommages consécutifs sont exclus.
- C. L'assemblage inadéquat ou l'entretien incorrect ne sont pas couverts. Le décapage au sable, le sablage, le meulage, le brossage (brosse métallique), le limage, la soudure, le brasage, le perçage, l'anodisation, la peinture et le chromage sont exclus de la présente garantie et pourraient annuler la garantie du fabricant des composants.
- D. L'utilisation du vélo sur des terrains extrêmement difficiles comme on en voit dans les vidéos de vélo de montagne (pistes de trial, rampes, cascades, pistes de BMX, escaliers, talus, etc.) est extrêmement dangereuse et annule la garantie décrite dans le tableau présenté plus haut. Notez bien que des composants pliés ou déformés (cadre, fourche, guidon, tige de selle, pédales, pédalier, jantes, etc.) sont des signes d'accident ou d'utilisation abusive.
- E. Les frais de main-d'œuvre associés à un changement ou à un remplacement de pièce ne sont pas couverts.
- F. Rocky Mountain se réserve le droit de réparer ou de remplacer, à sa discrétion, toute pièce couverte par la garantie. Veuillez noter que Rocky Mountain ne peut garantir que la couleur de la pièce correspondra à celle du vélo original.

## **EXCLUSIONS ET LIMITE DES DOMMAGES**

LA GARANTIE OFFERTE PAR ROCKY MOUNTAIN SE LIMITE À LA RÉPARATION OU AU REMPLACEMENT DU PRODUIT; ELLE N'INCLUT AUCUNE AUTRE GARANTIE OU DÉCLARATION, EXPRESSE OU TACITE, TRADITIONNELLE OU LÉGALE. ROCKY MOUNTAIN REJETTE TOUTE GARANTIE IMPLICITE DE QUALITÉ MARCHANDE OU D'ADAPTATION À UN USAGE PARTICULIER ET NE PEUT ÊTRE TENUE RESPONSABLE D'AUCUN DOMMAGE DIRECT OU INDIRECT, SPÉCIAL, CONNEXE OU CONSÉCUTIF, MÊME SI LA POSSIBILITÉ DE TELS DOMMAGES LUI A ÉTÉ SIGNALÉE. LA RESPONSABILITÉ DE ROCKY MOUNTAIN SE LIMITE À 50 \$.

## Déclaration de conformité

---

Ces plateformes de vélo équipées du système Powerplay<sup>MC</sup> répondent aux exigences des normes suivantes.

Altitude Powerplay<sup>MC</sup> de Rocky Mountain  
Instinct Powerplay<sup>MC</sup> de Rocky Mountain

Pour obtenir la liste complète des modèles, consultez le [www.bikes.com](http://www.bikes.com).

- EN 15194:2017 : Cycles à assistance électrique – Bicyclettes EPAC
- ISO 4210-2:2015 : Exigences de sécurité et d'évaluation de la performance pour les vélos tout terrain
- IEC/EN 62133-2:2017 : Exigences et tests pour le fonctionnement sécuritaire des piles et des batteries au lithium portatives, rechargeables et sans entretien.  
Partie 2 : Systèmes au lithium

### **Fabricant**

**Rocky Mountain**

**division of Industries RAD inc.**

9095, 25e Avenue

Saint-Georges (Québec) G6A 1A1

2021/10/27

## Brevets

---

Les vélos Powerplay<sup>MC</sup> peuvent être sous la protection d'un ou de plusieurs des brevets suivants :

- **Dyname System**  
USA: US9643683B2  
EUROPE: EP2957496B1  
CANADA: CA2894856C
- **Toque Sensor**  
USA: US10583893B2  
EUROPE: En attente  
CANADA: En attente



## Einleitung

---

Diese Bedienungsanleitung enthält wichtige Sicherheits-, Wartungs- und Benutzungsinformationen. Bitte lesen Sie diese Anleitung aufmerksam durch und stellen Sie sicher, dass Sie sie vollständig verstanden haben, bevor Sie Ihr neues Powerplay™-Fahrrad zum ersten Mal benutzt.

Diese Anleitung bezieht sich ausschließlich auf den Powerplay™-Antrieb und sollte zusammen mit der beiliegenden Rocky Mountain Bedienungsanleitung verwendet werden.

Bitte lesen Sie vor Ihrer ersten Fahrt die Bedienungsanleitung für Ihr Powerplay™-Fahrrad. Falls Sie kein Exemplar der Bedienungsanleitung haben, können Sie sie bei Ihrem nächstgelegenen autorisierten Rocky Mountain Händler erhalten.

## Registrieren

---

Wenn Sie Ihr Bike registrieren, können wir Sie offiziell in der Rocky Mountain Familie willkommen heißen. Es ist auch ein wichtiger Schritt für die Aktivierung der Garantie Ihres Bikes. Sollten Sie irgendwann ein Problem haben, können wir Ihren Fall effizient bearbeiten und Sie schnellstmöglich wieder auf Ihr Bike bringen. Es ist einfach und dauert nur ein paar Minuten.

**Registrieren Sie Ihr Bike: [bikes.com/register](https://bikes.com/register)**



# Warnungen

---

## **Kraft**

Ihr Powerplay™-Fahrrad verfügt über eine kräftige Pedalunterstützung, sobald Druck auf die Pedale ausgeübt wird. Machen Sie sich mit den Fahr- und Pedalunterstützungseigenschaften Ihres Fahrrades in einer sicheren flachen Umgebung vertraut, bevor Sie es im Gelände benutzen.

## **Sofort-Start**

Ihr Powerplay™-Fahrrad verfügt über die "Sofort-Start"-Technologie, welche eine ausgeklügelte Drehmoment-Sensorschaltung verwendet, um weiche, sofortige, sich natürlich anfühlende Kraft zu liefern. Diese Schaltung ist sehr empfindlich. Deshalb ist Vorsicht geboten, um sicherzustellen, dass das Rad nicht unerwartet oder unkontrolliert aus dem Stand beschleunigt.

## **Vorsicht auf Trails**

Ihr Powerplay™-Fahrrad beschleunigt schneller und verhält sich anders als traditionelle, nicht-unterstützte Fahrräder. Seien Sie vorsichtig auf Trails und seien Sie sich der einzigartigen Handling- und Beschleunigungseigenschaften Ihres Fahrrades bewusst.

## **Vorsicht!**

Fassen Sie die Antriebseinheit nicht an und verwenden Sie auch kein Werkzeug. Wartung und Reparatur der Antriebseinheit sollte nur von einem autorisierten Rocky Mountain Servicecenter durchgeführt werden.

## **Keine Veränderungen vornehmen**

Ändern Sie nichts an der Powerplay™-Antriebseinheit oder an direkt damit verbundenen Teilen. Wartung und Reparatur der Antriebseinheit sollte nur von einem autorisierten Rocky Mountain Servicecenter durchgeführt werden. Jeder Versuch, die Powerplay™-Antriebseinheit zu verändern, kann zu schweren Verletzungen oder dem Tod führen und macht die Garantie des Fahrrades sofort ungültig.

# Verhaltensregeln

---

## **Fahrer**

Verhalten Sie sich gegenüber anderen Trailbenutzern immer zuvorkommend. Besondere Vorsicht gilt in der Nähe von Tieren wie zum Beispiel Hunden und Pferden. Gewähren Sie anderen Trailbenutzern in allen Situationen bergauf und bergab immer den Vortritt.

## **Trails**

Fahren Sie Ihr Powerplay™-Fahrrad nur auf Trails und Wegen, die für die Benutzung mit motorisierten Fahrzeugen freigegeben sind. Beachten Sie alle lokalen Gesetze und Vorschriften. Wie auch alle anderen Trailbenutzer sollten alle Radfahrer darauf achten, Beschädigungen des Trails oder der Umwelt zu vermeiden. Rutschen Sie nicht auf Trails und ändern Sie sie nicht ab.

## Lerne Dein Bike Kennen



### Technical details

- Kleiner und leichter
  - Der Dynamie 4.0 Motor ist 18,5 % leichter als die vorherige Generation, der Dynamie 3.0.
  - Wir haben unserem Motor eine Gewichtsreduzierung verpasst und gleichzeitig die Zuverlässigkeit erhöht. Der Dynamie 4.0 Motor hat übergroße Lager für eine höhere Lebensdauer.
- Ein leises Antriebssystem
  - Das Dynamie 4.0 verfügt über eine verringerte Motordrehzahl, wodurch die Motorgeräusche gegenüber anderen Systemen gesenkt wurden.
  - Wir haben die beim Dynamie 3.0 Antriebssystem vorhandene obere Kettenführung entfernt, um die mechanischen Geräusche sowie das Schleifen während der Fahrt zu reduzieren.
- Eine reaktive und natürliche Leistungsentfaltung
  - Der Drehmomentsensor unseres Systems erfasst die Spannung, die direkt auf die Kette ausgeübt wird und beseitigt Zeitverzögerungen, um ein unmittelbares und natürliches Ansprechen zu ermöglichen, sobald Kraft ausgeübt wird.
- Drehmoment und Leistung
  - Wir haben eine neue Drehmomentkurve mit einer allmählichen Leistungssteigerung bis zu einer maximalen Leistung von 770 W bei optimaler Trittfrequenz (85 U/min) entwickelt. Durch diese variable Leistungskurve hast du auf dem Trail mehr Kontrolle über dein Bike, einschließlich in Szenarien wie steilem, technischem Anfahren am Berg.
- Drehmoment und Leistung
  - Das Dynamie 4.0 Antriebssystem liefert dasselbe branchenführende Drehmoment von 108 Nm wie das Dynamie 3.0 unserer vorhergehenden Bike-Generation.
  - Unser Antriebssystem bietet 770 W Spitzenleistung, was bedeutet, dass mehr Watt bereitgestellt werden, wenn du sie wirklich brauchst.
- Jumbotron
  - Das Jumbotron ist unsere Bildschirmanzeige, die nahtlos in das Oberrohr unserer neuen Powerplay Bikes integriert ist. Es ist so positioniert, dass alle wichtigen Daten und Informationen an einem geeigneten, gut zu sehenden Ort angezeigt werden. Die Navigation durch den Bildschirm erfolgt über die Fernbedienung am Lenker oder direkt über die Tasten am Jumbotron.

## Lerne Dein Bike Kennen



### Technical details

- Jumbotron
  - Das Jumbotron ist unsere Bildschirmanzeige, die nahtlos in das Oberrohr unserer neuen Powerplay Bikes integriert ist. Es ist so positioniert, dass alle wichtigen Daten und Informationen an einem geeigneten, gut zu sehenden Ort angezeigt werden. Die Navigation durch den Bildschirm erfolgt über die Fernbedienung am Lenker oder direkt über die Tasten am Jumbotron.
- Akkugröße
  - Wir haben die Kapazität des Powerplay Akkus von 672 Wh auf 720 Wh erhöht, damit du mehr Zeit auf dem Bike verbringen kannst.
- Kleinere Fernbedienung
  - Wir haben das iWoc aus unserer vorherigen Generation des Powerplay durch eine neue, kleinere Fernbedienung ersetzt. Unsere Fernbedienung mit firmeninternem entwickeltem Design hat eine bessere Ergonomie für dich als Fahrer und soll für ein sauberes und übersichtliches Cockpit sorgen. Das kleinere Design bietet auch die Möglichkeit, sie in Kombination
- mit mehreren Optionen für Schalt- und Bremshebel zu verwenden.
- Laden
  - Wir haben ein 4 Ampere-Ladegerät und ein 2 Ampere-Ladegerät für die ganz neuen Powerplay Modelle, die deinen Akku jeweils schnell laden, damit du schneller wieder losfahren kannst. Das schwächere Ladegerät mit 2 Ampere lädt den Akku von 0 auf 100 % in konkurrenzlosen 7 Stunden und 35 Minuten.
- Mittelhohe Drehpunkt-Kinematik und Raderhebungskurve
  - Unser überarbeitetes Federungssystem verfügt über einen mittelhohen Haupt-Drehpunkt, der sich nahtlos in unseren Dynamie 4.0 Antrieb integriert. Die Kinematik wird bezüglich Hebelverhältnis und Anti-Squat besser unterstützt, was zu einer gleichmäßigeren Kraftübertragung auf den Boden mit geringerem Energieverlust führt. Der mittelhohe Haupt-Drehpunkt erzeugt auch eine mehr nach hinten verlagerte Raderhebungskurve, wodurch fast alle kleinen bis mittleren Stöße eliminiert werden.

## Lerne Dein Bike Kennen



### Technical details

- RIDE-4 Einstellungssystem  
 -Das RIDE-4-Einstellungssystem ermöglicht dem Fahrer eine schnelle Feinabstimmung der Geometrie und Aufhängung mit einem Inbusschlüssel.
- Anpassbare Kettenstrebenlänge  
 -Durch das Umschalten der Hinterachsen-Chips und des 200 mm Aufsteck-Bremsadapters ist die Kettenstrebenlänge um 10 mm anpassbar. Die kurze Position ermöglicht einen verspielten und wendigen Fahrstil, während die längere Position Stabilität bei hoher Geschwindigkeit bietet. Das Rocky Mountain Schaltauge ist auch in der langen Position mit UDH kompatibel.
- Sichere und interne Kabelführung – Interne Kabeltrassen mit sicheren Fixierungen sorgen für klapperfreies Fahren und gleichzeitig für einfaches Verlegen von Kabeln und Kabelhüllen, selbst wenn du einen Moto-Stil-Aufbau mit der Vorderbremse auf der rechten Seite bevorzugst.
- Zusätzliche Schutzelemente und Kettenführung – Die Rahmen sind ausgestattet mit Unterrohrschutz, geräuschunterdrückendem Kettenstrebenschutz und Unterrohr-Shuttle-Schutz.
- Modulare Stoßdämpferbrücke – Unsere modulare Stoßdämpferbrücke, nur erhältlich bei Carbon-Modellen, ermöglicht zukünftige Updates der Dämpferkinematik.
- Modernisiertes Drehpunkt-Design  
 -Unsere Ketten- und Sattelstrebendrehpunkte haben doppelte Lager für erhöhte Steifigkeit und Lebensdauer. Alle Drehpunkte weisen abgeschirmte Lager auf, einschließlich der unteren Stoßdämpferbrücke (auch mit Sekundärmarkt-Dämpfern kompatibel).

# Grundeinstellung

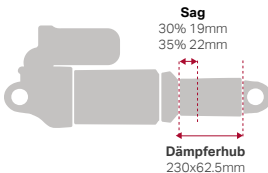
Für die Feineinstellung deiner Federung können mehrere Variablen verstellt werden. Es folgen ein paar grundlegende Richtlinien, mit denen ein Anfang gemacht wird, und du kannst experimentieren, um herauszufinden, wie es für dich am besten passt. Der erste Schritt ist die Einstellung deines SAG (Negativfederweg). SAG bezieht sich darauf, wie viel sich die Federung allein durch das Gewicht des Fahrers bewegt (einschließlich allen Zubehörs). Luftdruck oder Schraubenfederrate und Vorspannung werden eingestellt, bis der gewünschte SAG erreicht ist.

Bitte beachte die Mindest- und Höchstwerte der vom Hersteller für eine bestimmte Schraubenfeder empfohlenen Vorspannung. Wenn du die Federrate ändern musst, beachte bitte, dass du die Lagerbuchsen ausbauen musst, um die Schraubenfeder auszubauen.

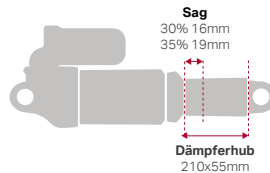
## Dämpfer-SAG

Wir empfehlen ungefähr 30-35 % SAG für diese Plattform.

### ALTITUDE POWERPLAY



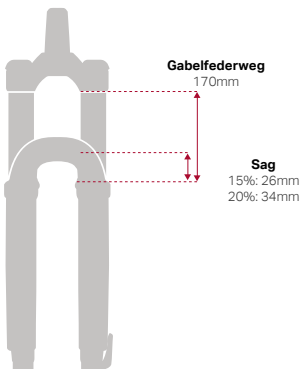
### INSTINCT POWERPLAY



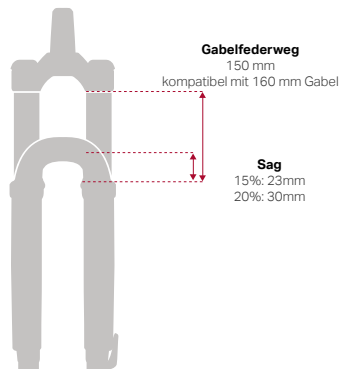
## Fork sag

Wir empfehlen ungefähr 15-20 % SAG für diese Plattform.

### ALTITUDE POWERPLAY



### INSTINCT POWERPLAY



# Altitude Powerplay Federtabelle

## Zugstufe

Über die Zugstufe erfolgt die Einstellung, wie schnell deine Federung wieder vollständig ausfedert, nachdem sie auf eine Bodenwelle trifft. Bei zu viel Rebound-Dämpfung, wenn also der Rebound-Knopf in Richtung der langsamen Einstellung geklickt wird, bewegen sich die Gabel oder der Dämpfer zu langsam. Dies führt dazu, dass die Federung bei wiederholten Wellen immer tiefer in ihren Federweg einsinkt, was als hart empfunden wird. Bei zu wenig Rebound-Dämpfung, wenn also der Rebound-Knopf in Richtung der schnellen Einstellung geklickt wird, kann die Federung zu schnell zurückspringen, was zu einem Traktions- und Kontrollverlust führt. Folge den Herstellerempfehlungen für eine Grundeinstellung, und probiere so lange, bis du deine optimale Einstellung findest.

## Druckstufe

Die Low Speed Compression (LSC) reagiert auf Gewichtsverlagerungen des Fahrers, Wippen, G-Outs und andere langsame Einflüsse. Zu viel LSC führt zu einem härteren Fahrgefühl. Bei zu wenig LSC wird das Fahrgefühl zu weich und ohne Ansprechverhalten.

### 2022 ALTITUDE POWERPLAY 230 x 62,5 FOX DHX2 FEDERDÄMPFER \*Zähle Klicks von Geschlossen: 0 Klicks = Geschlossen

FAHRERGEWICHT	GEWICHT STAHLFEDER	GEWICHT FOX SLS FEDER	DÄMPFER-SAG	EMPFOHLENE LSC-EINSTELLUNG *FALLS VERFÜGBAR	EMPFOHLENE HSR-EINSTELLUNG	EMPFOHLENE LSC-EINSTELLUNG	EMPFOHLENE HSC-EINSTELLUNG*
100 / 45	300	300	19 - 22 mm	10-11	6-7	14-15	6-7
110 / 50	300	325	19 - 22 mm	9-11	6-7	14-15	6-7
120 / 55	350	350	19 - 22 mm	8-9	6-7	14-15	6-7
130 / 59	350	375	19 - 22 mm	8-10	6-7	13-14	6-7
140 / 64	400	400	19 - 22 mm	6-7	5-6	12-13	5-6
150 / 68	400	425	19 - 22 mm	6-7	5-7	11-13	5-6
160 / 73 *Größe MD	450	450	19 - 22 mm	5-6	4-5	9-10	5-6
170 / 77	450	475	19 - 22 mm	5-6	4-5	9-11	4-6
180 / 82 *Größe LG	500	500	19 - 22 mm	4-5	4-5	9-10	4-5
190 / 86	500	525	19 - 22 mm	4-5	3-5	7-9	3-4
200 / 91 *Größe XL	550	550	19 - 22 mm	3-4	3-4	6-7	3-4
210 / 95	600		19 - 22 mm	2-3	2-3	5-6	2-3
220 / 100	600		19 - 22 mm	2-3	2-3	5-6	2-3
230 / 105	650	Nicht verfügbar	19 - 22 mm	1-2	1-2	4-5	1-2
240 / 109	700		19 - 22 mm	1-2	0-1	3-4	0-1
250 / 114	Nicht verfügbar		19 - 22 mm	Nicht verfügbar	Nicht verfügbar	Nicht verfügbar	Nicht verfügbar

### 2022 ALTITUDE POWERPLAY 230 x 62,5 FOX FLOAT X2 LUFTDÄMPFER \*Zähle Klicks von Geschlossen: 0 Klicks =

FAHRERGEWICHT	FOX FLOAT X2 PSI	DÄMPFER-SAG	EMPFOHLENE LSR-EINSTELLUNG	EMPFOHLENE HSR-EINSTELLUNG	EMPFOHLENE LSC-EINSTELLUNG	EMPFOHLENE HSC-EINSTELLUNG
100 / 45	135	19 - 22 mm	11-14	5-6	14-16	6-7
110 / 50	145	19 - 22 mm	11-13	5-6	14-16	6-7
120 / 55	155	19 - 22 mm	10-12	5-6	13-15	6-7
130 / 59	165	19 - 22 mm	9-11	4-5	13-15	6-7
140 / 64	175	19 - 22 mm	8-10	4-5	12-14	5-6
150 / 68	190	19 - 22 mm	7-9	4-5	11-13	5-6
160 / 73	200	19 - 22 mm	7-9	3-4	10-12	5-6
170 / 77	210	19 - 22 mm	6-8	3-4	9-11	4-5
180 / 82	220	19 - 22 mm	6-8	3-4	8-10	4-5
190 / 86	230	19 - 22 mm	5-7	2-3	7-9	4-5
200 / 91	240	19 - 22 mm	4-6	2-3	6-8	4-5
210 / 95	255	19 - 22 mm	3-5	2-3	5-7	3-4
220 / 100	265	19 - 22 mm	2-4	2-3	4-6	3-4
230 / 105	275	19 - 22 mm	2-4	1-2	2-4	3-4
240 / 109	285	19 - 22 mm	1-3	1-2	2-4	3-4
250 / 114	295	19 - 22 mm	1-3	1-2	2-4	2-3

# Altitude Powerplay Federtabelle

## 2022 ALTITUDE POWERPLAY 230 x 62,5 FOX FLOAT X LUFTDÄMPFER

\*Zähle Klicks von Geschlossen: 0 Klicks = Geschlossen\*

FAHRERGEWICHT	FOX FLOAT X PSI	DÄMPFER-SAG	EMPFOHLENE LSR-EINSTELLUNG	EMPFOHLENE LSC-EINSTELLUNG *FALLS VERFÜGBAR
100 / 45	140	19 - 22 mm	12	Start offen / Individuell einstellen
110 / 50	145	19 - 22 mm	11-12	Start offen / Individuell einstellen
120 / 55	155	19 - 22 mm	11	Start offen / Individuell einstellen
130 / 59	165	19 - 22 mm	10-11	Start offen / Individuell einstellen
140 / 64	175	19 - 22 mm	10	Start offen / Individuell einstellen
150 / 68	185	19 - 22 mm	8-10	Start offen / Individuell einstellen
160 / 73	190	19 - 22 mm	8	Start offen / Individuell einstellen
170 / 77	200	19 - 22 mm	7-8	Start offen / Individuell einstellen
180 / 82	210	19 - 22 mm	7	Start offen / Individuell einstellen
190 / 86	220	19 - 22 mm	7	Start offen / Individuell einstellen
200 / 91	230	19 - 22 mm	7	Start offen / Individuell einstellen
210 / 95	240	19 - 22 mm	5-6	Start offen / Individuell einstellen
220 / 100	250	19 - 22 mm	5	Start offen / Individuell einstellen
230 / 105	260	19 - 22 mm	2-3	Start offen / Individuell einstellen
240 / 109	270	19 - 22 mm	2	Start offen / Individuell einstellen
250 / 114	280	19 - 22 mm	2	Start offen / Individuell einstellen

## 2022 ALTITUDE POWERPLAY 230 x 62,5 FOX DHX2 FEDERDÄMPFER

\*Zähle Klicks von Geschlossen: 0 Klicks = Geschlossen\*

FAHRERGEWICHT	GEWICHT STAHLFEDER	FOX SLS FEDER	DÄMPFER-SAG	EMPFOHLENE LSR-EINSTELLUNG	EMPFOHLENE HSR-EINSTELLUNG	EMPFOHLENE LSC-EINSTELLUNG	EMPFOHLENE HSC-EINSTELLUNG
100 / 45	300	300	19 - 22 mm	11-12	Nicht verfügbar	14-15	Nicht verfügbar
110 / 50	300	325	19 - 22 mm	10-11		14-15	
120 / 55	350	350	19 - 22 mm	9-11		14-15	
130 / 59	350	350	19 - 22 mm	8-9		14-15	
140 / 64	400	400	19 - 22 mm	8-10		14-15	
150 / 68	400	425	19 - 22 mm	6-7		13-14	
160 / 73 *Größe MD	450	450	19 - 22 mm	6-7		12-13	
170 / 77	450	475	19 - 22 mm	5-6		11-13	
180 / 82 *Größe LG	500	500	19 - 22 mm	5-6		9-10	
190 / 86	500	525	19 - 22 mm	4-5		9-11	
200 / 91 *Größe XL	550	550	19 - 22 mm	4-5		9-10	
210 / 95	600	Nicht verfügbar	19 - 22 mm	3-4		7-9	
220 / 100	600		19 - 22 mm	2-3		6-7	
230 / 105	650		19 - 22 mm	2-3		5-6	
240 / 109	700		19 - 22 mm	1-2	5-6		
250 / 114	Nicht verfügbar		19 - 22 mm	Nicht verfügbar	6-7		



# Instinct Powerplay Federtabelle

## 2022 INSTINCT POWERPLAY 210 X 55 FOX FLOAT X LUFTDÄMPFER

\*Zähle Klicks von Geschlossen: 0 Klicks = Geschlossen\*

FAHRERGEWICHT	FOX FLOAT X PSI	DÄMPFER-SAG	EMPFOHLENE LSR-EINSTELLUNG	EMPFOHLENE LSC-EINSTELLUNG *FALLS VERFÜGBAR
100 / 45	130	16 - 19 mm	12	Start offen / Individuell einstellen
110 / 50	140	16 - 19 mm	11-12	Start offen / Individuell einstellen
120 / 55	150	16 - 19 mm	11	Start offen / Individuell einstellen
130 / 59	160	16 - 19 mm	10-11	Start offen / Individuell einstellen
140 / 64	170	16 - 19 mm	10	Start offen / Individuell einstellen
150 / 68	180	16 - 19 mm	8-10	Start offen / Individuell einstellen
160 / 73	190	16 - 19 mm	8	Start offen / Individuell einstellen
170 / 77	200	16 - 19 mm	7-8	Start offen / Individuell einstellen
180 / 82	210	16 - 19 mm	7	Start offen / Individuell einstellen
190 / 86	220	16 - 19 mm	7	Start offen / Individuell einstellen
200 / 91	230	16 - 19 mm	7	Start offen / Individuell einstellen
210 / 95	240	16 - 19 mm	5-6	Start offen / Individuell einstellen
220 / 100	250	16 - 19 mm	5	Start offen / Individuell einstellen
230 / 105	260	16 - 19 mm	2-3	Start offen / Individuell einstellen
240 / 109	270	16 - 19 mm	2	Start offen / Individuell einstellen
250 / 114	280	16 - 19 mm	2	Start offen / Individuell einstellen

## 2022 INSTINCT POWERPLAY 210 X 55 ROCK SHOX DELUXE LUFTDÄMPFER

\*Zähle Klicks von Geschlossen: 0 Klicks = Geschlossen\*

FAHRERGEWICHT	FOX FLOAT X PSI	DÄMPFER-SAG	EMPFOHLENE LSR-EINSTELLUNG	EMPFOHLENE LSC-EINSTELLUNG *FALLS VERFÜGBAR
100 / 45	110	16 - 19 mm	8	Start offen / Individuell einstellen
110 / 50	120	16 - 19 mm	7-8	Start offen / Individuell einstellen
120 / 55	130	16 - 19 mm	7-8	Start offen / Individuell einstellen
130 / 59	140	16 - 19 mm	7	Start offen / Individuell einstellen
140 / 64	150	16 - 19 mm	6-7	Start offen / Individuell einstellen
150 / 68	160	16 - 19 mm	6-7	Start offen / Individuell einstellen
160 / 73	170	16 - 19 mm	6	Start offen / Individuell einstellen
170 / 77	180	16 - 19 mm	5-6	Start offen / Individuell einstellen
180 / 82	190	16 - 19 mm	5-6	Start offen / Individuell einstellen
190 / 86	200	16 - 19 mm	5	Start offen / Individuell einstellen
200 / 91	210	16 - 19 mm	4-5	Start offen / Individuell einstellen
210 / 95	220	16 - 19 mm	4-5	Start offen / Individuell einstellen
220 / 100	230	16 - 19 mm	4	Start offen / Individuell einstellen
230 / 105	240	16 - 19 mm	3-4	Start offen / Individuell einstellen
240 / 109	250	16 - 19 mm	3-4	Start offen / Individuell einstellen
250 / 114	260	16 - 19 mm	3	Start offen / Individuell einstellen

# OcchielloAmmortizzatore

## Manutenzione

Il telaio è dotato di cuscinetti a cartuccia nell'occhiello posteriore, che consentono una migliore aderenza ai piccoli urti. Questi cuscinetti sono portati da coppe saldamente installate sull'asse dell'ammortizzatore.



Quando si fa la manutenzione dell'ammortizzatore, consigliamo vivamente di rimuovere questi componenti, poiché i centri di assistenza per le sospensioni non possono garantire che vengano restituiti.

Per rimuovere il sistema, segui questi passaggi:

- Utilizzare il kit di utensili per occhielli ammortizzatori Rocky Mountain (codice# 1810031)
- Installare la calotta copri cuscinetto su un lato dell'occhiello del cuscinetto
- Quindi, installare uno degli strumenti per la rimozione della coppa sopra la coppa del cuscinetto con la calotta copri cuscinetto installato.
- Avvitare saldamente la vite M8 contro la calotta copri cuscinetto
- Installare l'altro strumento di rimozione della coppa sopra l'altra coppa del cuscinetto
- Avvitare la vite M8 fino in fondo fino a quando non inizia a spingere sull'altro lato. È a contatto con l'interno della calotta copri cuscinetto.
- Continuare a infilare fino a quando una delle coppe non è completamente estratta.
- Quindi inserire il punteruolo attraverso l'occhiello dell'ammortizzatore e appoggiarlo saldamente contro la coppa del cuscinetto che è ancora premuta nell'occhiello dell'ammortizzatore.

- Delicatamente, ma con fermezza, martellare il punteruolo fino a rimuovere completamente la coppa del cuscinetto dall'occhiello dell'ammortizzatore.

If you do not have the Rocky Mountain Bearing Eyelet Tool Kit, use a blind bearing puller:

- Utilizzare un estraattore per cuscinetti a foro cieco (estensione di 8mm) per rimuovere entrambi i cuscinetti.
- Rimuovere la boccola centrale.
- Utilizzare l'estrattore per cuscinetti a foro cieco (estensione da 10mm) per rimuovere le coppe vuote.

*NOTA: il diametro interno delle coppe è di 11 mm, il che significa che l'estensione da 12mm non si adatta (quindi non forzarla); utilizzare l'estensione da 10mm.*

Per installare nuove coppe, utilizzare una pressa per cuscinetti o una morsa con ganasce morbide installate, assicurandosi di premere sul bordo esterno delle coppe e non dimenticare la boccola distanziatrice centrale tra le coppe.

## RIDE-4

Das RIDE-4™-Einstellsystem ermöglicht dem Fahrer eine schnelle Feinabstimmung der Geometrie mit einem einzigen 5 mm-Inbusschlüssel. Vier Konfigurationen sind mit einem Paar rotierender Chips möglich. Unzählige Variablen wie Gelände, Fahrstil, fahrerisches Können und persönliche Präferenzen machen die Einstellung der optimalen Geometrie eines Bikes zu einer Kunst für sich. Wir empfehlen daher, diese Aufgabe fachmännisch vornehmen zu lassen. Wir glauben aber auch an die Lerneffekte aus Selbstversuchen, um die unterschiedlichen Einstellungen besser zu verstehen und entsprechend anzupassen. Wage dich methodisch mit kleinen, schrittweisen Änderungen an die Einstellung des RIDE-4™ heran und mache Notizen für das beste Ergebnis. Im Trubel kurz vor einer großen Tour schnell noch die optimale Geometrie zu finden, sollte man vermeiden. Nimm dir genügend Zeit und genieße den Prozess hin zu deiner optimalen Einstellung.

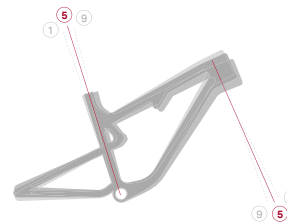
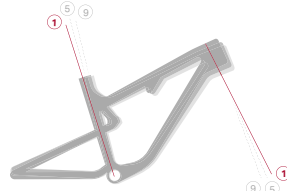
### BEREIT FÜR JEDEN TRAIL

Das RIDE-4™-Einstellsystem ermöglicht dir eine schnelle Feinabstimmung deiner Geometrie und Aufhängung mit einem einzigen 5 mm-Inbusschlüssel.

STEILERER  
LENKWINKEL  
WENIGER  
PROGRESSIVE  
FEDERUNG



FLACHERER  
LENKWINKEL  
PROGRESSIVE  
FEDERUNG



### Position

FLACH

Das tiefer Tretlager und die progressive Federung erhöhen die Stabilität bei hoher Geschwindigkeit. Empfohlen für aggressivere Trails.

### Position 3

NEUTRAL

Diese Position bietet eine ausgewogene Mischung von Geometrie und Federungsleistung und ist damit für viele verschiedene Trails geeignet.

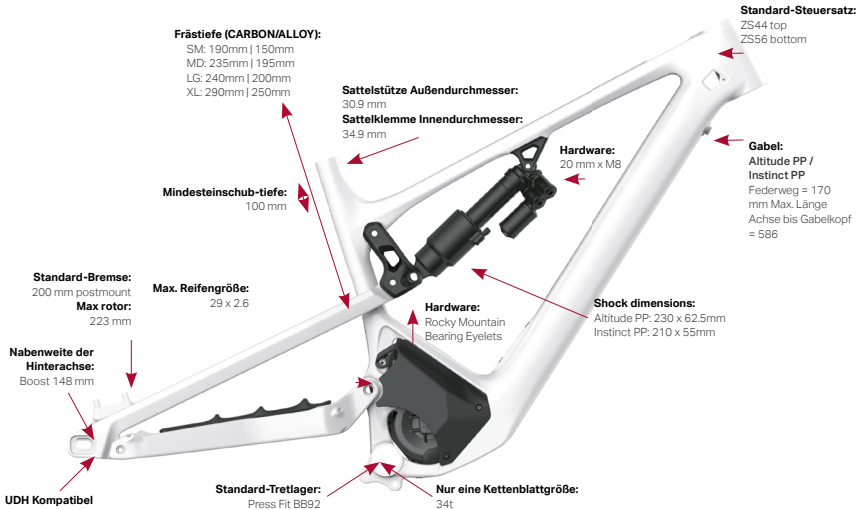
### Position 4

STEIL

Das höhere Tretlager und die lineare Federung bieten eine bessere Pedalfreiheit, mehr Unterstützung bei der anfänglichen Federkonstante und eine Position auf dem Rad, die besser zum Klettern geeignet ist.

DEUTSCH

## Wichtige Abmessungen



## Verbau von Dämpfern

Wir prüfen Abstandsmaße für viele Dämpfer, können jedoch keine Kompatibilität mit allen Marken und Modellen garantieren. Wende dich bitte an deinen Händler vor Ort, wenn du eine spezifische Frage zum Verbau von Dämpfern hast.

## Zugelassene Dämpfer für Altitude Powerplay und Instinct Powerplay

### Fox

- FLOAT DPS
- FLOAT X
- FLOAT X2
- DHX
- DHX2

### Marzocchi

- Bomber RC

### RockShox

- Deluxe
- Super Deluxe
- Super Deluxe Coil
- \*SIDLuxe not approved

### Can Creek

- DB Coil
- DBiL Coil
- DB Air
- DBiL Air

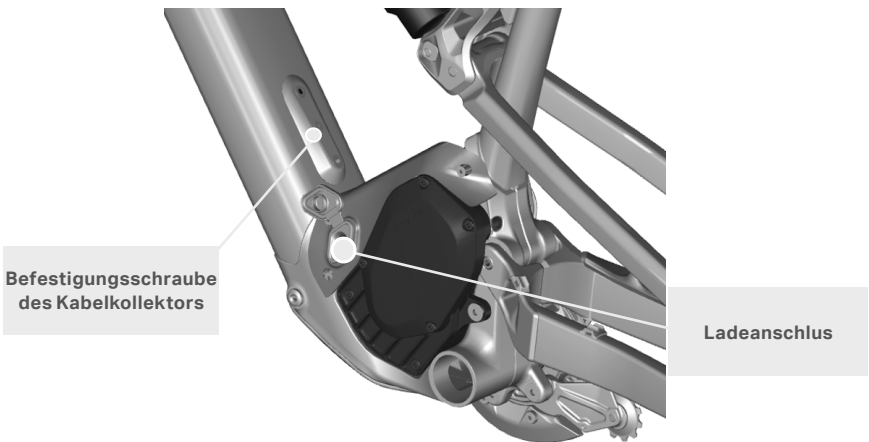
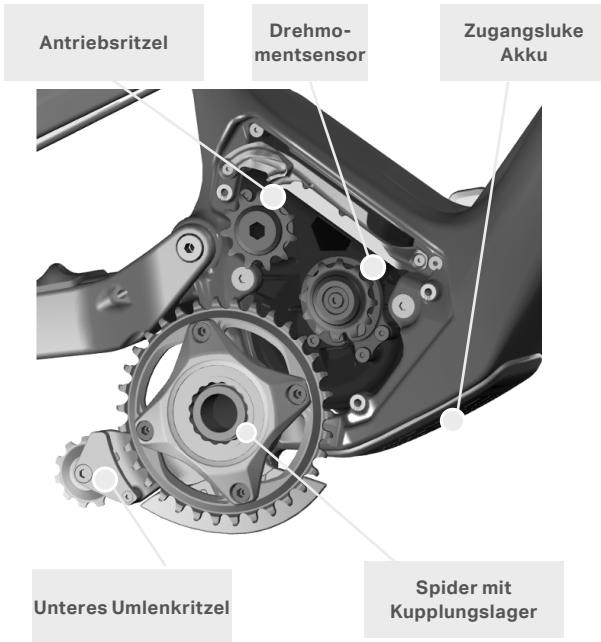
## Bilder

Geschwindigkeits-  
sensor an der  
Bremsscheibe

Integrierte  
Jumbotron-Anzeige

Hinterachse mit  
Dualposition





# Fahrer-Bedienelemente

**DMS** (Daumen-Maschine-Schnittstelle, alias die Fernbedienung)

**KLICKEN**  
Im Fahrerbildschirm  
blättern  
Menü Navigation  
Ok / Eingabe /  
Auswählen

**HALTEN**  
Ins Hauptmenü gehen  
Zum Fahrerbildschirm  
herausgehen

**KLICKEN**  
MEHR Unterstützung  
**HALTEN**  
Fahrt zurücksetzen  
(nur  
Kilometerstandanzeige)

**KLICKEN**  
WENIGER Unterstüt-  
zung  
**HALTEN**  
Schiebemodus 1 Stufe  
zurück Menü

**HALTEN**  
Taste Aufwärts und  
Taste Modus für  
Diagnosemenü



## Jumbotron

Das Jumbotron-Display ist das Kommunikationszentrum Ihres Powerplay™-Bikes. Es dient der Bedienung des Systems, der Anzeige von Informationen und der Diagnose und Problembehebung. Firmware-Aktualisierungen werden bei Bedarf über das USB-Modul und einen Computer durchgeführt.



## Anzeige





# Fahrt

---

## Warnung

Stellen Sie sicher, dass die Bremsen angezogen sind bevor Sie Druck auf die Pedale ausüben oder auch nur Ihren Fuß auf die Pedale setzen. Der Powerplay™-Antrieb verwendet eine ausgeklügelte Drehmomentsensorschaltung um weiche, sofortige, sich natürlich anfühlende Kraft zu liefern. Diese Schaltung ist sehr empfindlich. Deshalb ist Vorsicht geboten, damit das Rad nicht aus dem Stand vom Fahrer weg beschleunigt..

## Einschalten

Halten Sie die Taste am Jumbotron 2 Sekunden gedrückt, um den Powerplay™-Antrieb zu aktivieren und das Fahrrad einzuschalten. HINWEIS: Der Powerplay™-Antrieb wird immer im zweitniedrigsten Unterstützungsmodus aktiviert. Der Fahrer kann die Unterstützung dann mit der Fernbedienung oder dem Jumbotron erhöhen.

## Unterstützungsstufen

Der Powerplay™-Antrieb stellt mehrere Stufen der Unterstützung zur Verfügung:

### Stufe 1: Eco

Dies ist die geringste Unterstützungsstufe mit der maximalen Akkulaufzeit.

### Stufe 2: Trail

Die Stufe hält die Balance zwischen Unterstützung und Akkulaufzeit für den universalen Einsatz.

### Stufe 3: Trail+

Diese Stufe gibt dem Fahrer ausreichend Schub für eine tolle Fahrt und eine gute Geschwindigkeit, um ihn ohne leeren Akku zu den Abfahrten zu bringen.

### Stufe 4: Ludicrous

Für maximale Geschwindigkeit und Unterstützung liefert diese Stufe eine große Menge Energie an das Hinterrad. Beachten Sie, dass der Akku auf dieser Stufe relativ schnell entladen wird. Verwenden Sie die Fernbedienung (Taste aufwärts oder abwärts) oder klicken Sie die Taste am Jumbotron, um die Unterstützungsstufen zu wechseln.

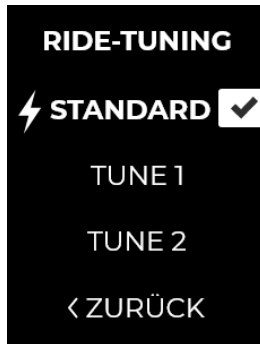
HINWEIS: DER FAHRER KANN DIE KRAFTEINSTELLUNGEN ALLER 4 MODI SOWIE DEN MOTOR-BOOST (DREHMOMENT-SENSITIVITÄT) IM HAUPTMENÜ INDIVIDUELL

 EINSTELLEN. ZUM ZUGANG GEDRÜCKT HALTEN.

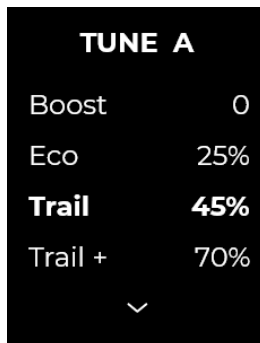
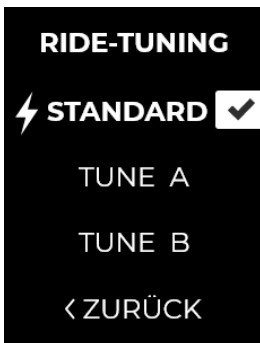
## Einstellung der Unterstützung

Unterstützungsstufen können beim Start oder jederzeit während der Fahrt angepasst werden. Das Dynamie™ 4.0 System kann 3 verschiedene Unterstützungskarten in seinem Speicher behalten: eine Standard-WERKS-Karte und zwei personalisierbare Abstimmungen. Der Fahrer kann das Verhalten des Antriebs zwischen den Karten entsprechend auswählen.

### Abstimmung auswählen



### Abstimmung anpassen

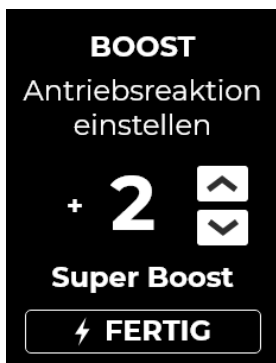


#### 2 anpassbare Parameter

- **Boost:** Wie der Motor auf den Input des Fahrers reagiert (Drehmoment-Sensitivität oder %-Boost)

- **Unterstützungskraft:** % der verfügbaren Kraft für jede der 4 Unterstützungsstufen

## Motor boost



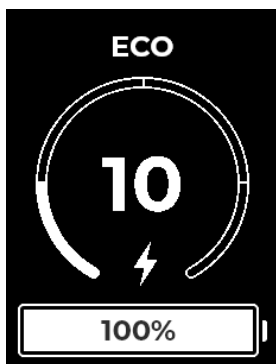
### Anpassung von +2 bis -2

**+2** Sehr wenig Anstrengung des Fahrers erforderlich. Maximaler Boost, minimale Akkureichweite.

**0** Ausgewogene Leistung, gutes Ansprechen und gute Akkureichweite.

**-2** Erheblicher Kraftaufwand des Fahrers erforderlich, maximierte Akkureichweite, bestes Training.

## Unterstützungskraft



### Anpassung von 1 % bis 100 %

Für jeden der 4 Unterstützungsmodi (Eco, Trail, Trail+, Ludicrous) können Sie die Motorleistung auswählen, angegeben als Prozentsatz der verfügbaren Maximalleistung. Sie können die Leistung eines hohen Unterstützungsmodus nicht niedriger als in einem niedrigeren Unterstützungsmodus einstellen, z. B. kann der Trail-Modus nicht niedriger als der Eco-Modus eingestellt werden.

## Akku

Unsere Powerplay™-Modelle sind mit proprietären Steuerungen, Motoren und Komponenten ausgerüstet. Einige dieser Komponenten sind empfindlich und erfordern einen besonders sorgfältigen Umgang. Wir möchten Ihnen so viele Informationen wie möglich zur Verfügung stellen. Bitte beachten Sie die folgenden aktualisierten Informationen zu den Rocky Mountain Powerplay™-Akkus, zum Laden und zu deren Pflege.

Die Nichtbeachtung der Anweisungen und Richtlinien in diesem Abschnitt kann zu Schäden an den elektrischen Komponenten Ihres Fahrrads und zum Verlust Ihrer Garantieansprüche führen. Darüber hinaus kann die Nichtbeachtung der Anweisungen zu schweren Verletzungen oder zum Tod führen.

## Allgemeines

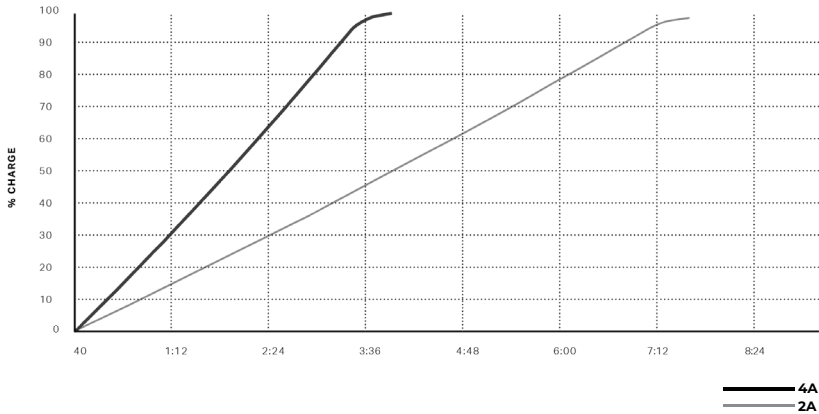
- Die Akkus aller Rocky Mountain Powerplay™-Geräte weisen die von den Behörden vorgeschriebenen Zertifizierungen auf und haben ein integriertes Batteriemanagementsystem (BMS) mit mehreren Schutzebenen, um Gefahren zu vermeiden. Trotz dieser Sicherheitsmaßnahmen kann Gefahr von einem geladenen Akku unter extremen Temperaturen oder einem beschädigten Ladeanschluss ausgehen und es kann zu einem Stromschlag, Feuer, oder Verletzungen kommen.
- Bei Anzeichen der Beschädigung am Akku oder am Ladegerät, verwenden Sie diese nicht weiter und bringen Sie Ihr Fahrrad zur Überprüfung zu einem autorisierten Rocky Mountain Händler.
- Der Akku und die Antriebseinheit, sowie andere firmeneigene Powerplay™-Komponenten dürfen nur von Mechanikern gewartet werden, die eine Rocky Mountain Powerplay™-Schulung absolviert haben.
- Es ist darauf zu achten, dass keine kleinen, spitzen und/oder metallischen Objekte in Kontakt mit Akkus oder Ladeanschlüssen kommen.
- Akku und Ladegerät dürfen nicht verändert, geöffnet oder auseinandergenommen werden.
- Waschen Sie ein Powerplay™ nie mit einem Hochdruckreiniger und tauchen Sie es nie in Wasser ein. Regen und normales Waschen stellen kein Problem dar.
- Unbeschädigte Akkus setzen keine Flüssigkeiten oder Gase frei. Die Akkufflüssigkeit von beschädigten Akkus kann jedoch zu Reizungen und Verätzungen der Haut führen und die freigesetzten Gase können die Atemwege reizen. Wenn die von Akkus freigesetzten Flüssigkeiten oder Gase mit der Haut oder den Augen in Kontakt kommt, sofort mit Wasser ausspülen und umgehend einen Arzt aufsuchen.
- Wenn das Fahrrad mit entferntem Akku auf einem Auto transportiert wird, stellen Sie bitte sicher, dass alle Anschlüsse abgedeckt sind, um Verschmutzung durch Straßenschmutz, Wasser und Salz zu vermeiden.

- In dem Fall, dass ein Akku in Brand gerät, kein Wasser direkt auf den Akku gießen. Objekte, die sich in der Nähe befinden, können mit Wasser gelöscht werden, nicht jedoch die Akkuzellen. Zur ordnungsgemäßen Löschung eines Akkus ist ein Feuerlöscher der Klasse ABC oder BC einzusetzen. Sand kann dazu benutzt werden, ein Feuer wirksam zu ersticken. Wenn möglich, ohne sich dabei selbst in Gefahr zu begeben, bringen Sie den erhitzten oder entzündeten Akku nach draußen, um ein Ausbreiten des Feuers zu vermeiden. Wenn der Akku an ein Ladegerät angeschlossen ist, sollte als erstes das Ladegerät abgezogen oder der Strom abgeschaltet werden.

## Ladevorgang

- Es dürfen nur dafür vorgesehene Powerplay™-Ladegeräte für Powerplay™-Akkus eingesetzt werden.
- Das Ladegerät darf keiner direkten Sonneneinstrahlung ausgesetzt werden, insbesondere nicht während des Ladevorgangs.
- **So wird der Akku geladen:**
  1. Die Schutzabdeckung vom Ladeanschluss des Powerplay™-Bikes abnehmen.
  2. Beachten Sie die Form des Ladekabelsteckers und richten Sie ihn korrekt zum Ladeanschluss am Fahrrad aus. Schließen Sie das Ladegerät an das Powerplay™-Bike an.
  3. Schließen Sie das Ladegerät an eine Steckdose an. Das LED-Kontrolllicht am Ladegerät leuchtet rot auf, um den Ladevorgang anzuzeigen.
  4. Nach Abschluss des Ladevorgangs leuchtet die LED grün. Es ist nicht erforderlich, das Ladegerät direkt nach dem Ladevorgang zu entfernen, das Fahrrad sollte jedoch nicht länger als 12 Stunden angeschlossen bleiben.
- Laden Sie Ihr Powerplay™-Bike auf einer offenen Fläche mit einem direkten Ausgang ins Freie auf.
- Ähnlich wie bei allen anderen Bikes und Geräten, die eine Lithium-Ionen-Akku verwenden, wird empfohlen, das Bike nur unter Aufsicht zu laden.
- Wenn der Akku 50 °C erreicht, wird der Ladevorgang gestoppt, bis die Akkutemperatur auf 45 °C fällt. Wenn die Akkutemperatur 0 °C erreicht, wird der Ladevorgang gestoppt, bis die Akkutemperatur auf 3 °C steigt.
- Die Ladezeit hängt von der verbleibenden Ladung des Akkus ab.
- Zu erwartende Ladezeiten:

	4A-Ladegerät	2A-Ladegerät
Ladezeit von 0-80 %	2h55	6h00
Ladezeit von 0-95 %	3h25	7h00
Ladezeit insgesamt von 0-100 %	3h55	7h35



- Es ist nicht erforderlich, den Akku jedes Mal voll aufzuladen. Sie können ihn auch teilweise aufladen, wir empfehlen jedoch, ihn alle 10 Mal vollständig aufzuladen.

## Lagerung

- Wählen Sie für die Lagerung Ihres Powerplay™-Bikes einen sicheren Ort, geschützt vor extremen Temperaturen (über 65° C oder unter -30° C), übermäßiger Sonneneinstrahlung, Feuchtigkeit oder Kondensation. Wenn Sie glauben, dass das Fahrrad unsachgemäß gelagert wurde und obengenannten Bedingungen ausgesetzt wurde, bitte sofort die Verwendung einstellen und einen autorisierten Rocky Mountain Händler aufsuchen.
- Ein vollständig entladener Akku, der für längere Zeit gelagert wird, kann Schaden nehmen und es kann ein Kapazitätsverlust eintreten. Es wird empfohlen, den Akku nach Möglichkeit auf mindestens 75 % zu laden, um einem Schaden durch Tiefentladung über längere Zeit vorzubeugen und damit den Garantieanspruch zu verlieren.
- Wird ein Fahrrad über einen langen Zeitraum gelagert, muss der Akku regelmäßig aufgeladen werden, mindestens alle drei Monate, um seine Kapazität zu erhalten. Andernfalls kann es zu Schäden am Akku kommen und ein Kapazitätsverlust eintreten. Um während der Lagerung daran zu denken, Ihren Akku aufzuladen, nutzen Sie automatische Erinnerungen durch einen Kalendereintrag in Ihrem Computer oder Handy.
- Die optimale Akkukapazität bleibt bei einer Lagerung zwischen 10° C und 25° C und bei einer relativen Luftfeuchtigkeit unter 65 % erhalten.
- Nach 1 Monat Lagerung wechselt die Batterie in einen Schutzmodus. Um den Akku wiederzubeleben, stecken Sie ihn bitte in das Ladegerät.

## Funktionsfähigkeit des Akkus

- Der Akku funktioniert auch bei kaltem Wetter, jedoch mit geringerer Kapazität. Dabei ist mit ca. 70 % der vollen Kapazität bei -10° C zu rechnen. Es ist empfehlenswert, das kalte Bike vor der Verwendung aufzuwärmen.
- Wenn eine Akkutemperatur von 65° C erreicht wird, schaltet sich dieser zum Schutz ab, bis er auf unter 60° C abgekühlt ist. Wenn eine Akkutemperatur von -20° C erreicht wird, schaltet sich dieser zum Schutz ab, bis er sich auf mindestens -15° C erwärmt hat.
- Wenn der verbleibende Akkustand niedrig ist, verringert der Powerplay™-Antrieb nach und nach seine Leistung, um die Reichweite zu maximieren.
- Bitte beachten Sie, dass Lithium-Ionen-Akkus allmählich Kapazität verlieren, abhängig vom Alter und der Verwendung. Eine drastische Verringerung der Kapazität kann ein Zeichen dafür sein, dass der Akku das Ende seiner Lebensdauer erreicht hat und ersetzt werden muss. Bitte lassen Sie Ihren Akku in diesem Fall von einem autorisierten Rocky Mountain Händler auswechseln. Bei normalem Gebrauch ist zu erwarten:

### 720 Akku

Kapazität von 80 % nach 500 vollen Ladezyklen (Ladung von 0 % auf 100 %).

## Battery LED

- Während des Ladevorgangs

Weiß: 100 % - 75 %

Grün: 74,9 % - 50 %

Gelb: 49,9 % - 25 %

Rot: 24,9 % - 0 %

- Fehlercodes (Blinkende LED)

Rot: Fahrt stoppen / suchen Sie Ihren Händler auf

Gelb: 15 Min. warten

Blau: Zu kalt! Versuchen Sie es bei wärmeren Bedingungen wieder.

## Ausbau

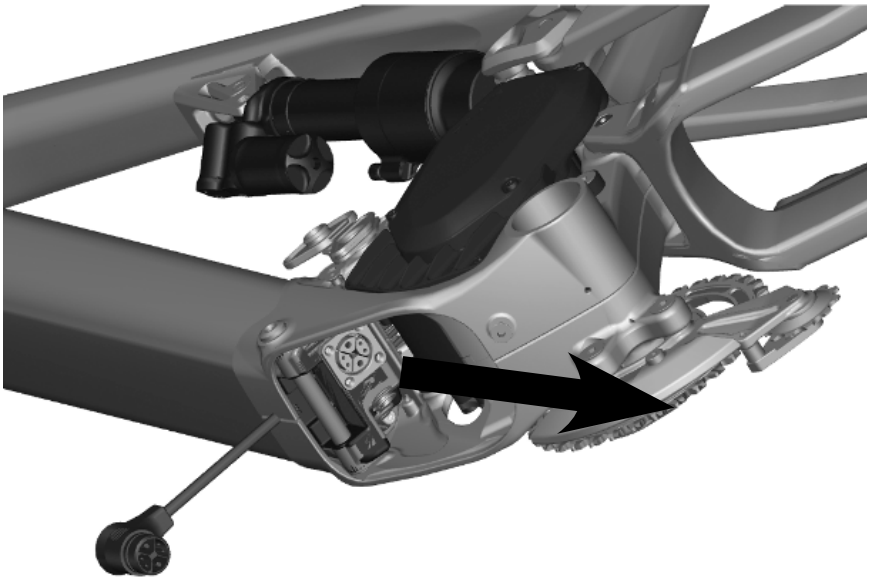
Powerplay™-Fahrräder sind mit einem abnehmbaren Akku ausgerüstet. Er wird mit einer 4-mm-Sechskant-Halteschraube solide und klapperfrei befestigt.



- Die Befestigungsschraube und die Schutzplatte entfernen.



- Den Stromstecker vom Akku abziehen.
- Die Befestigungsschraube der Batterie entfernen. Achtung! Den Akku nicht fallen lassen.
- Den Akku aus dem Unterrohr herausziehen.



## Einbau

Führen Sie die oben genannten Schritte in umgekehrter Reihenfolge durch. Achten Sie dabei darauf, dass das Stromkabel nicht eingeklemmt wird, indem Sie es deutlich aus dem Weg des Akkueinschubs entfernen.

### ACHTUNG:

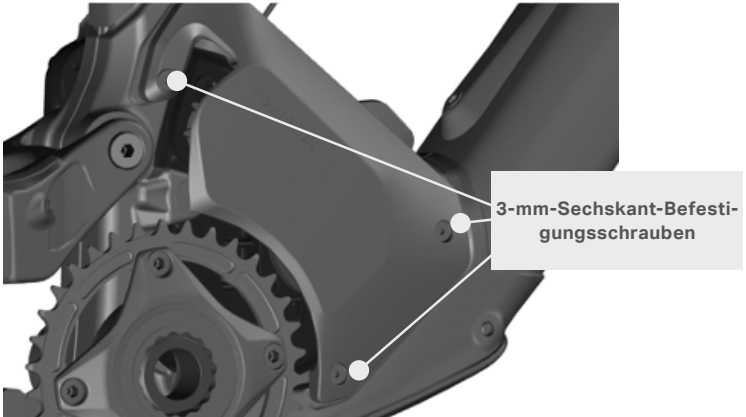
Ein beschädigtes Stromkabel kann gefährlich sein und zu einem Stromschlag, Brand oder Verletzungen führen.

# Motor

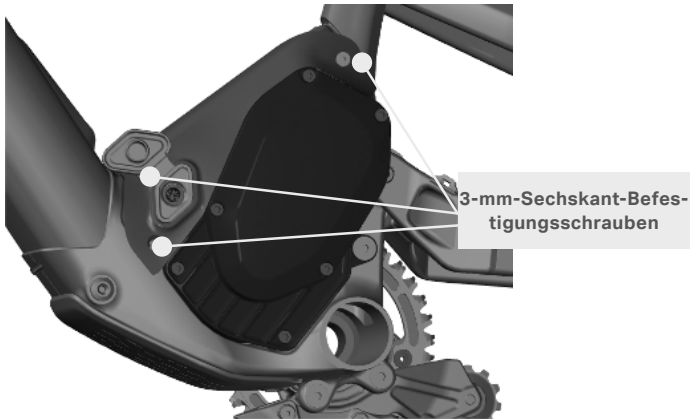
## Ausbau des Antriebs

Führen Sie die folgenden Schritte durch, um den Motor aus dem Rahmen zu entfernen.

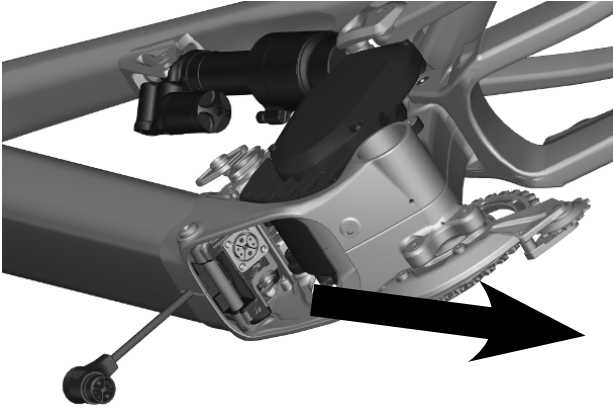
- Das Fahrrad ausschalten.
- Die drei Befestigungsschrauben herausdrehen und die Motorabdeckung auf der Antriebsseite entfernen.



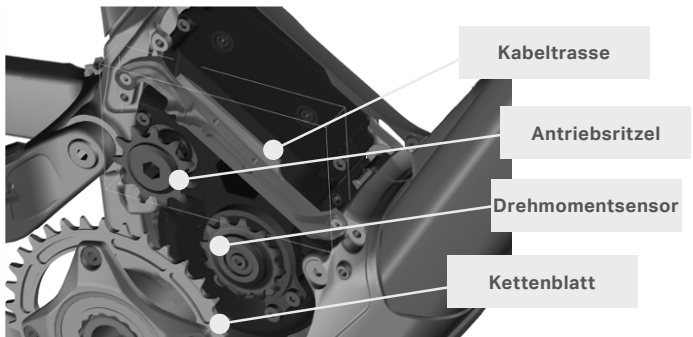
- Die drei Befestigungsschrauben herausdrehen und die Motorabdeckung an der Nichtantriebsseite entfernen.



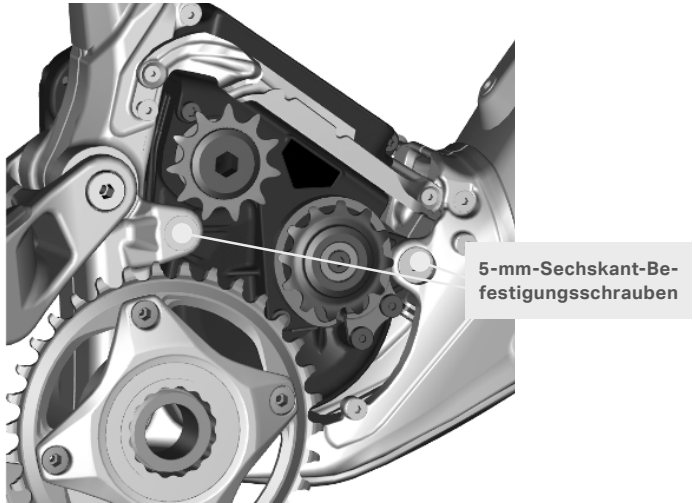
- Den Akku wie oben beschrieben entfernen (Seite 95).



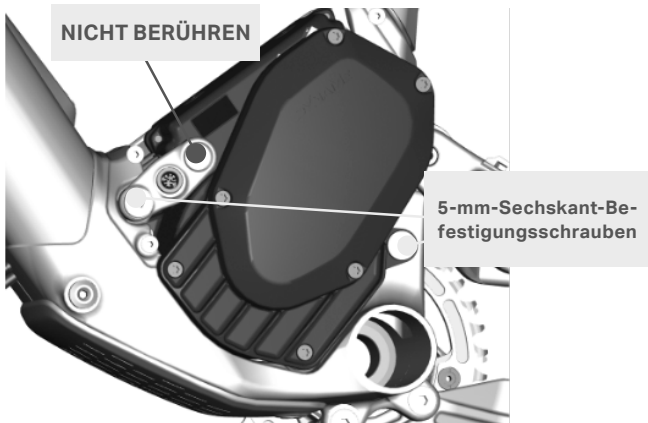
- Auf der Antriebsseite die Kabeltrasse ausfindig machen. Die Kabelbinder entfernen und den Geschwindigkeitssensor abziehen (GELBER Stecker).
- Die Kette von Kettenblatt, Antriebsritzel und Drehmomentsensor entfernen.



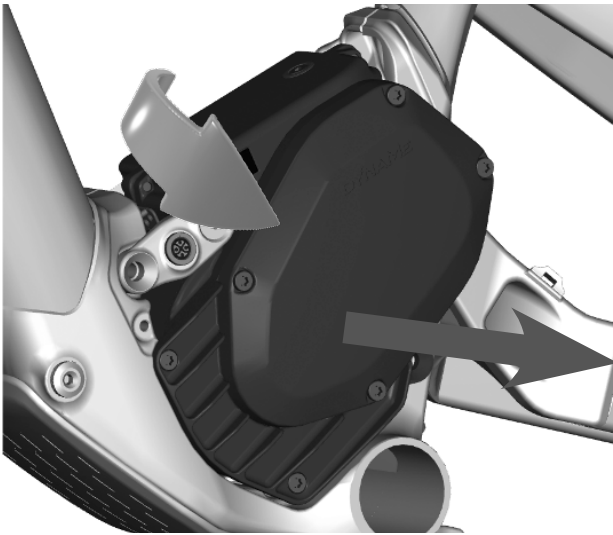
- Die zwei Befestigungsschrauben zur Befestigung des Motors auf der Nichtantriebsseite entfernen.



- Die zwei Befestigungsschrauben zur Befestigung des Motors auf der Nichtantriebsseite entfernen. Beachten Sie, dass der Ladeanschluss an der Halterung mit dem Motor verbleibt. Diese 5-mm-Sechskantschraube nicht entfernen.



- Die Fernbedienung abziehen (ROTER Stecker).
- Den gesamten Motor auf der Nichtantriebsseite ausbauen, dabei leicht drehen, damit das Antriebsritzel den Rahmen nicht berührt.



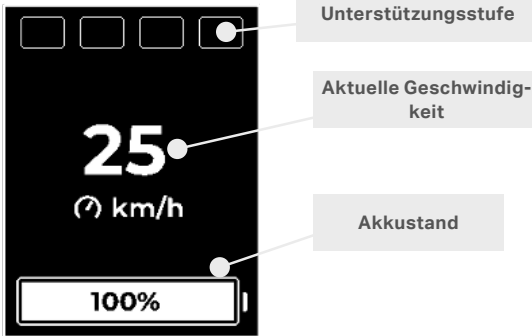
Beim Wiedereinbau des Motors einfach alle oben genannten Schritte in umgekehrter Reihenfolge durchführen und die Drehmomentangaben unten beachten.

- Befestigungsschrauben des Motors: 14 Nm
- Befestigungsschrauben der Abdeckung: 1,5 Nm

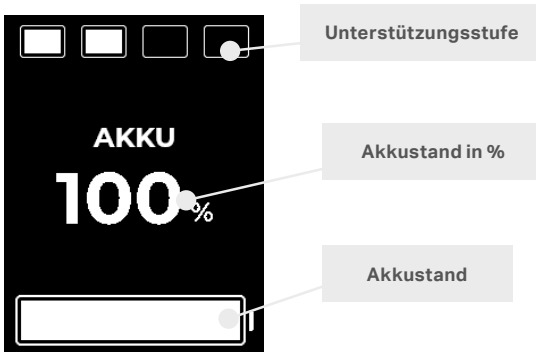
## Fahrerbildschirme

Entsprechend der Auswahl zeigt das Display eine Kategorie von Informationen an, während wichtige Daten ebenfalls angezeigt werden.

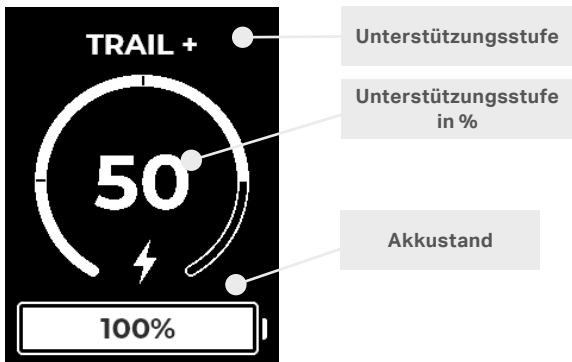
### Geschwindigkeitsanzeige



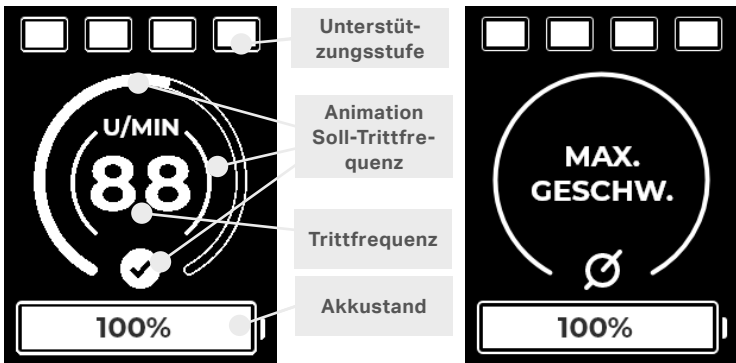
### Batterieanzeige



### Unterstützungsanzeige

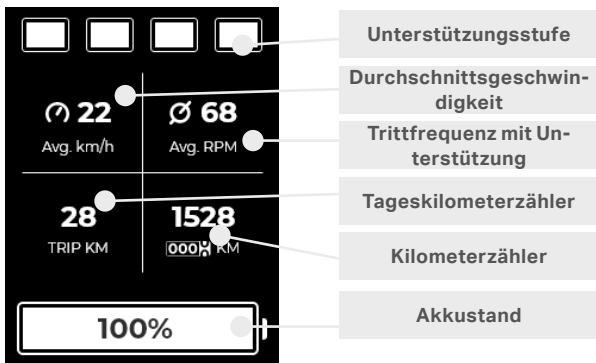


### Trittfrequenzanzeige



Beachten Sie, dass die Trittfrequenz über die Motordrehzahl ermittelt wird und eine Schätzung ist. Das führt auch dazu, dass bei abgeschaltetem Motor (Bsp.: über der Höchstgeschwindigkeit) keine Trittfrequenz angezeigt wird.

### Ansicht Kilometerzähler/Fahrt



DEUTSCH

## Zurücksetzen

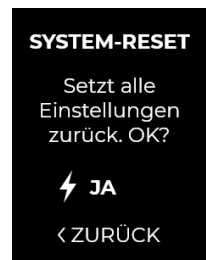
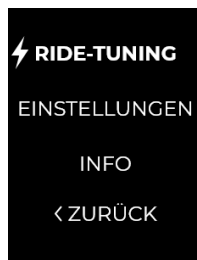
Der Fahrer kann die Fahrtinformation (Durchschnittsgeschwindigkeit, durchschnittliche Trittfrequenz, Fahrtstrecke) immer zurücksetzen und das Dynam System auf die ursprünglichen Werkseinstellungen zurücksetzen.

### Fahrt zurücksetzen



In der Kilometerstandanzeige die Taste AUFWÄRTS am DMS gedrückt halten

oder



Von beliebigem Fahrerbildschirm durch HALTEN von ⚡ ins Hauptmenü gehen. Gehen Sie zu Einstellungen – System zurücksetzen.



## Schiebemodus

Sollte es nötig sein, hat das Powerplay™ einen Schiebemodus. Der Powerplay™-Antrieb ist in der Lage, das Fahrrad bei Schrittgeschwindigkeit zu unterstützen. Drücken und halten Sie die Taste (A) auf der Fernbedienung. Das Rad wird Sie langsam beim Schieben unterstützen.

⚠ Der Schiebemodus darf nicht verwendet werden, während sich ein Fahrer auf dem Fahrrad befindet. Der Schiebemodus darf nur beim Gehen neben dem Fahrrad verwendet werden.

## Ausschalten

Zum Abschalten des Powerplay™-Antriebs die Taste am Jumbotron gedrückt halten. Wenn das Fahrrad 10 Minuten lang nicht bewegt wird, schaltet sich der Antrieb automatisch ab, um Strom zu sparen.

# Hinweise

## Beschädigung an der Fernbedienung

Falls die Fernbedienung beschädigt ist und nicht mehr funktioniert, kann der Fahrer das Fahrrad weiter nutzen und die Unterstützungsmodi mit dem Jumbotron wechseln. HINWEIS: Die Menüs und Anpassungen sind über das Jumbotron ohne die Fernbedienung nicht zugänglich.

## Reichweite

Die Reichweite hängt von vielen Faktoren ab, wie zum Beispiel der Unterstützungsstufe und dem gewählten Unterstützungsmodus, der Umgebungstemperatur, der Beschleunigung, dem Luftwiderstand, der Wartung, dem Alter des Akkus, hügeligem und rauem Gelände und/oder dem Gewicht des Fahrers.

## Fahrtipps

- Der Powerplay™-Antrieb liefert weiche, sich natürlich anfühlende Kraft an das Hinterrad und funktioniert am besten unter diesen Umständen:
- Treten Sie moderat und durchgängig in die Pedale, statt sie zu stark zu beanspruchen.
- Schalten Sie häufig, um die Trittfrequenz zwischen 80 und 120 U/min zu halten, den Motorwirkungsgrad optimal auszunutzen, ein hohes Drehmoment zu erhalten und den Akku optimal auszunutzen. Verwenden Sie die Trittfrequenzanzeige am Jumbotron, die den Fahrer informiert, wenn er im effizienten Bereich fährt.
- Beim Schalten ist Vorsicht geboten:
  - Verringern Sie den Pedaldruck, bevor Sie schalten, um die Kette nicht zu belasten.
  - Schalten Sie nicht mehrere Gänge auf einmal.

## Service

### Diagnose und Reparatur

Das Jumbotron kann Fehlermeldungen anzeigen und dem Fahrer in manchen Fällen Anweisungen zur Reparatur des Systems gegen.

#### Beispiel



### Kalibrieren

Ein Kalibrierungsverfahren kann gelegentlich erforderlich sein, um die Leistungsfähigkeit des Antriebssystems zu erhalten. Normalerweise wird dies durchgeführt, wenn eine Komponente der Antriebsgruppe ersetzt (Kette, Kettenblatt, Antriebsritzeln etc.) oder der Motor wieder in den Rahmen eingebaut wird.



## Fehlerbehandlung

Bitte arbeiten Sie zur Fehlerbehandlung mit ihrem Händler vor Ort zusammen. Ihr Jumbotron Display kann Fehlercodes für Diagnosen generieren. Wenn ein Fehlercode erscheint, wird das System Ihnen Anweisungen geben. In manchen Fällen kann eine Reparatur unterwegs möglich sein, andernfalls muss sich der Fahrer eventuell an einen autorisierten Händler wenden. Manche Fehler führen zu einem Notbetrieb, der dem Fahrer die Heimfahrt mit reduzierter Leistung ermöglicht.

## Standard-Tretlager

Der Powerplay™-Antrieb verwendet ein Press Fit BB92.

HINWEIS:

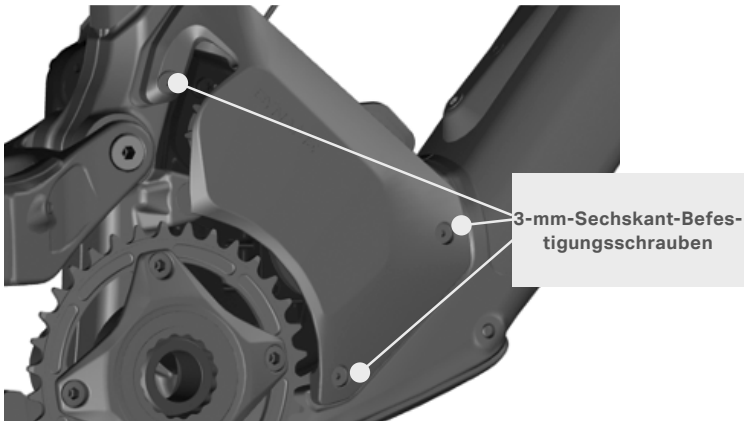
- Das schafft einen Freiraum für den Spider auf der Race Face-Kurbel
- VERWENDEN SIE DEN KORREKTEN SPIDER FÜR RACE FACE BZW. SRAM EAGLE KETTENBLÄTTER. DAS SIND DIE EINZIGEN ZUGELASSENEN KETTENBLÄTTER.

## Kabelführung

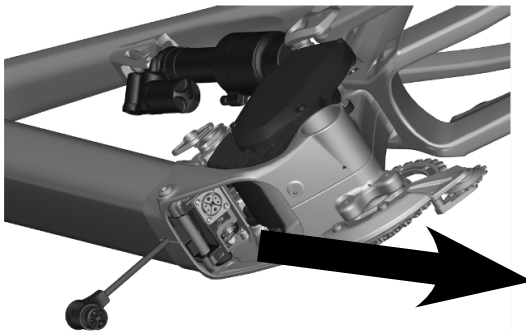
### Schaltzug

Führen Sie die folgenden Schritte durch, um eine verschlissene Schaltzughülle zu wechseln:

- Die drei Befestigungsschrauben herausdrehen und die Motorabdeckung auf der Antriebsseite entfernen



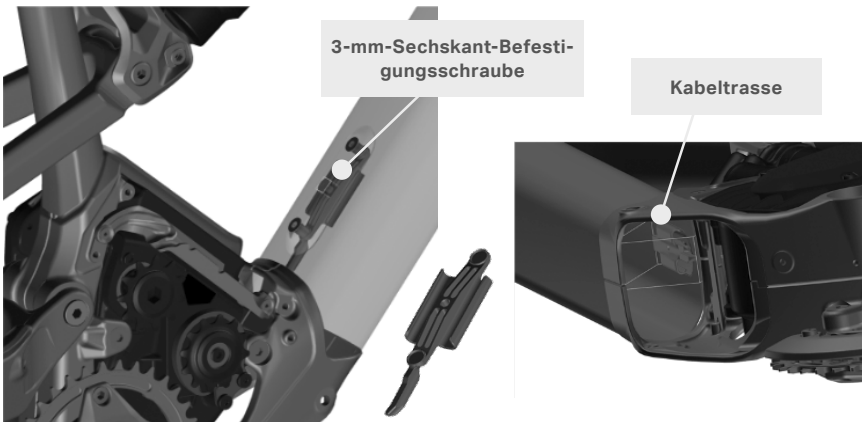
- Den Akku wie bereits beschrieben entfernen (Seite 19).



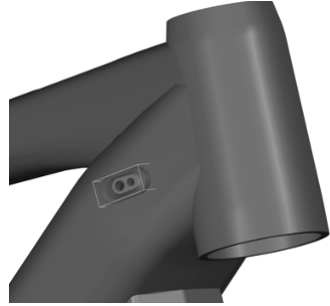
- Die Kabelbinder zur Befestigung der Züge und Kabel an der Kabeltrasse auf der Antriebsseite des Motors durchtrennen und entfernen. **MERKEN SIE SICH DIE POSITION DES GEHÄUSES AN DER TRASSE.**



- Lösen Sie die 3-mm-Sechskantschraube zwischen den Schrauben des Flaschenhalters, wodurch der Kabelkollektor im INNEREN des Unterrohrs gelöst wird. Sie können die Kabel innen im Unterrohr von den Seiten des Kollektors abziehen.



- Die Kabelöffnung (Carbon) oder Gummitülle (Aluminium) auf der rechten Seite des Unterrohrs entfernen.

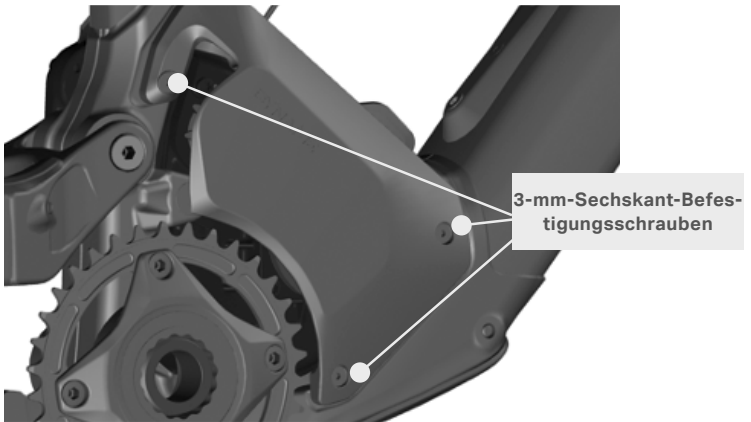


- Das alte Gehäuse und Kabel entfernen.
- Die Schaltzugführung am Ende der Kettenstrebeneinheit von HINTEN nach VORNE einführen.
- Die Schaltzugführung in die Kabeltrasse und in das Unterrohr führen.
- Die Schaltzugführung ganz bis ganz nach vorne führen und aus der Öffnung herausführen.
- Die Schaltzugführung in den Kabelkollektor führen, spannen, und den Kabelkollektor im Unterrohr mit der 3-mm-Sechskantschraube befestigen.
- Die Züge und Kabel an der Kabeltrasse auf der Antriebsseite des Motors mit Kabelbindern befestigen.
- Die Kabelführung am Hauptlager einbauen.
- Schaltzug und Gehäuse kürzen und anpassen.
- Die Öffnung oder Gummitülle wieder über der Schaltzugführung anbringen.
- Den Akku wieder einsetzen.

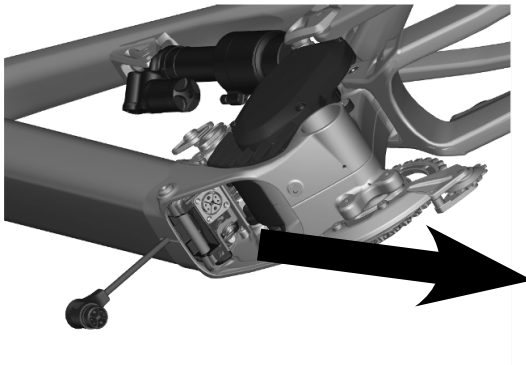
## Bremsleitung

Führen Sie die folgenden Schritte durch, um die Leitung der hinteren Bremse zu wechseln:

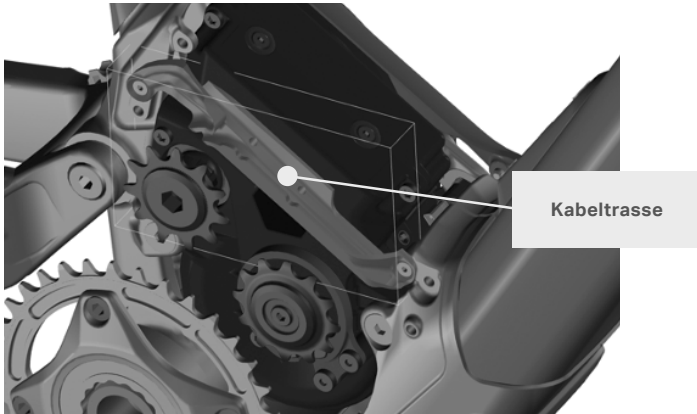
- Die drei Befestigungsschrauben herausdrehen und die Motorabdeckung auf der Antriebsseite entfernen.



- Den Akku wie bereits beschrieben entfernen (Seite 19).



- Die Kabelbinder zur Befestigung der Züge und Kabel an der Kabeltrasse auf der Antriebsseite des Motors durchtrennen und entfernen. **MERKEN SIE SICH DIE POSITION DER LEITUNG AN DER TRASSE.**



- Lösen Sie die 3-mm-Sechskantschraube zwischen den Schrauben des Flaschenhalters, wodurch der Kabelkollektor im INNEREN des Unterrohrs gelöst wird. Sie können die Kabel innen im Unterrohr von den Seiten des Kollektors abziehen.

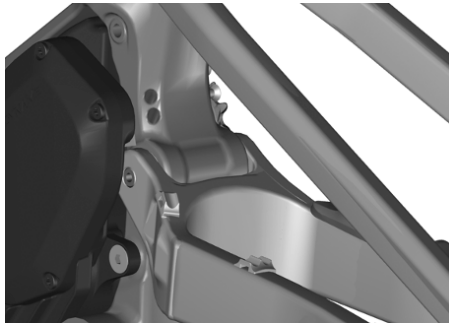




- Die Kabelöffnung (Carbon) oder Gummitülle (Aluminium) auf der linken Seite des Unterrohres entfernen.



- Die alte Leitung entfernen. Neue Leitung auf korrekte Länge abmessen.
- Die Leitung am Bremsattel anbringen und entlang der Kettenstange von hinten nach vorne zur unteren Öffnung auf der Rückseite des Sitzrohres führen.



- Die Bremsleitung in den oberen Teil der Kabeltrasse und in das Unterrohr führen.
- Die Bremsleitung in den Kabelkollektor führen, spannen, und den Kabelkollektor im Unterrohr mit der 3-mm-Sechskantschraube befestigen.
- Die Bremsleitung, Züge und Kabel an der Kabeltrasse auf der Antriebsseite des Motors mit Kabelbindern befestigen.
- Die Bremsleitung aus der Öffnung beim Oberrohr auf der linken Seite herausziehen und die Abdeckung oder Tülle wieder anbringen.
- Die Motorabdeckung auf der Antriebsseite wieder anbringen.
- Den Akku wieder einsetzen.

# Allgemeine Wartung

---

Bitte beachten Sie, dass elektrisch unterstützte Fahrräder größeren Lasten ausgesetzt sind und dadurch einen höheren Verschleiß an ihren Teilen haben als gewöhnliche Fahrräder. Sie sollten daher häufiger geprüft und gewartet werden, um die Sicherheit, Leistung und Langlebigkeit zu maximieren..

## Langzeitlagerung

Wenn Sie Ihr Fahrrad längere Zeit nicht benutzen, sollte der Akku mindestens alle drei Monate geladen werden. Werden diese Ladeabstände überschritten, kann der Akku Schaden nehmen und die Kapazität verringert sich. Nach einem Monat ohne Benutzung wechselt der Akku in einen Schutzmodus. Schließen Sie den Akku an das Ladegerät an, um ihn zu reaktivieren.

Automatische Erinnerungen durch einen Kalendereintrag im Handy oder Computer sind eine bewährte Möglichkeit, das Aufladen nicht zu vergessen.

## Reinigung

Ein sauberes Fahrrad ist ein glückliches Fahrrad. Der beste Weg, um ein Fahrrad zu reinigen, ist ein Eimer mit warmem Wasser und Seife. Vermeiden Sie die Nutzung eines Hochdruckreinigers.

HINWEIS: Spritzen Sie kein Wasser direkt auf elektrische Bauteile.

## Vorbeugende Wartung

### Säubern und inspizieren Sie die Antriebskomponenten auf Verschleiß

- Kette
- Zahnkränze
- Ritzel (Unteres Umlenkriztel, Umwerferritzel)
- Kettenblatt
- Antriebsritzel

### Überprüfen Sie Bolzen und Verschlüsse

- Alle Standard-Fahrradverschlüsse: Gelenke, Lenkervorbau, Kurbelbolzen, Kettenringbolzen
- Motoraufhängung
- Drehmomentsensor-Aufhängung
- Akku-Halterungsstift
- Überprüfen Sie die Speichenspannung
- Inspizieren Sie die Bremsbacken und -scheiben
- Halten Sie den Ladeanschluss sauber/geschlossen

## Wartung

Checkliste für regelmäßige Wartung und Einstellung	Checkliste					Hinweise
	500KM	1000KM	1500KM	2000KM	2500KM	
Fahrradkette - auf Verschleiß prüfen, reinigen und schmieren	Vor jeder Fahrt					Zustand prüfen (Längung, Risse) und schmieren
Ladeanschluss	Vor jedem Ladevorgang					Auf eingedrungenes Wasser, Korrosion, Ausrichtung der Kontakte & Schmutz prüfen
Drehmomentsensor kalibrieren						ODER jedes Mal, wenn Sie eine Komponente des Antriebssystems oder der Antriebsgruppe austauschen
Befestigungsschrauben des Motors	●	●	●	●	●	Auf korrektes Drehmoment prüfen.
Antriebsritzel & Sicherungsring	●	●	●	●	●	Zustand prüfen; immer austauschen, wenn Verschleißgrenze erreicht ist
Drehmomentsensor & Spannrolle	●	●	●	●	●	Auf Risse und Beschädigungen prüfen
Motorgehäuse & Abdeckungen		●		●		Auf Risse und Beschädigungen prüfen
Motorkabel		●		●		Die Isolierung und den Stecker auf Beschädigungen prüfen
Akkugehäuse	Jedes Mal überprüfen, wenn sich der Akku nicht im Fahrrad befindet.					Das Gehäuse und den Stecker auf Beschädigungen prüfen
Fernbedienung & Kabel am Lenker	●	●	●	●	●	Das Gehäuse und den Stecker auf Beschädigungen prüfen
Display & Kabel am Oberrohr	●	●	●	●	●	Auf übermäßiges Spiel und Schäden am Bildschirm prüfen
Verlängerungskabel am Unterrohr	●	●	●	●	●	Das Gehäuse und den Stecker auf Beschädigungen prüfen
Geschwindigkeitssensor & Kabel	Jedes Mal überprüfen, wenn sich das Laufrad nicht im Fahrrad befindet.					Das Gehäuse und den Stecker auf Beschädigungen prüfen; Sicherstellen, dass die Magnete ordentlich befestigt sind
Antriebskette - reinigen und schmieren		●		●		Zustand prüfen und schmieren
Antriebskette - austauschen	Alle 2500 km austauschen					Zustand prüfen, um internen Motorverschleiß und Geräusche zu vermeiden
Motor Kupplungslager - austauschen	Alle 2500 km austauschen					Lager auf reibungslose Funktion prüfen
Spider Kupplungslager - austauschen	Alle 2500 km austauschen					Lager auf reibungslose Funktion prüfen

## Transport

---

Achten Sie beim Transport/Versand Ihres Fahrrades mit Powerplay™-Antrieb darauf, dass unter Umständen Beschränkungen auftreten können und besondere Behandlung, Beschriftung und/oder Verpackung nötig sind. Informieren Sie sich im Voraus über alle rechtlichen Anforderungen in Ihrem Land. Wenn das Fahrrad mit entferntem Akku auf einem Auto transportiert wird, stellen Sie bitte sicher, dass alle Anschlüsse abgedeckt sind, um Verschmutzung durch Straßenschmutz, Wasser und Salz zu vermeiden.

## Registrieren

---

Wenn Sie Ihr Bike registrieren, können wir Sie offiziell in der Rocky Mountain Familie willkommen heißen. Es ist auch ein wichtiger Schritt für die Aktivierung der Garantie Ihres Bikes. Sollten Sie irgendwann ein Problem haben, können wir Ihren Fall effizient bearbeiten und Sie schnellstmöglich wieder auf Ihr Bike bringen. Es ist einfach und dauert nur ein paar Minuten.

**Registrieren Sie Ihr Bike: [bikes.com/register](https://bikes.com/register)**

## Garantieinformationen

Ihr Powerplay™-Fahrrad unterliegt einer Gewährleistung auf Material-, und Produktionsmängel gemäß folgender Tabelle:

Kategorie	Laufzeit	Hinweise
Rahmen	5 Jahre	Vorderes und hinteres Rahmendreieck
Hardware	1 Jahr	Gelenke, Achsen etc.
Elektronische Bauteile	3 Jahre	Antrieb, Fernbedienung, Jumbotron, Sensoren, Ladegerät
Verschleißteile des Antriebs	1 Jahr	Kettenräder, Ritzel, Antriebskette und Lager
Akku	24 Monate	<p>Der Powerplay™-Antrieb verringert die Motorleistung bei sich entleerendem Akku schrittweise, um die Reichweite zu maximieren.</p> <p>Die Reichweite hängt von vielen Faktoren ab, wie zum Beispiel der Unterstützungsstufe, der Umgebungstemperatur, der Beschleunigung, dem Luftwiderstand, der Wartung, dem Alter des Akkus, hügeligem und rauem Gelände und/ oder dem Gewicht des Fahrers.</p> <p>Bei Lagerung von über 3 Monaten den Akku alle 3 Monate laden. Werden diese Ladeabstände überschritten, kann der Akku Schaden nehmen und die Garantie erlischt</p>
Components	As per Original Manufacturer Warranty	

Garantiefälle und Kundenservice können nur bei dem autorisierten Händler vorgenommen werden, der das komplette Fahrrad oder den Rahmen verkauft hat. Die Garantie für Ihren Rocky Mountain Rahmen erstreckt sich auf Schäden durch Material- und Verarbeitungsfehler ab dem ursprünglichem Kaufdatum Ihres neuen Rocky Mountain Fahrrad es entsprechend dem Rahmenmaterial und der Art der Nutzung.

### Rahmenmaterial / Art der Nutzung

- Carbonfaser: 5 Jahre – Beschränkt\*
- Aluminium – vorne und voll gefedert: 5 Jahre – Beschränkt\*
- Bitte beachten Sie die unten aufgeführten Beschränkungen.

## Weitere Garantie für Schäden durch Material- und Verarbeitungsfehler

- Beschichtung – Lackierung und Aufkleber: 1 Jahr
- Hardware Rahmen, Federung, Gelenke und Buchsen: 1 Jahr
- Gelenke und Buchsen: 6 Monate

## HINWEIS Garantie gilt nicht für Folgendes:

- Gewerblich genutzte Bikes, wie z.B. Verleih, Kurierdienste, Polizei, Sicherheitsdienst, etc.
- Einbau von Komponenten, Teilen oder Zubehör, das ursprünglich nicht für das Fahrrad (oder den Rahmen) wie verkauft vorgesehen war oder nicht damit kompatibel ist
- Rocky Mountain Fahrrad wurde nicht von einem autorisierten Händler gekauft
- Rocky Mountain Fahrrad/Rahmen wurde im Internet durch Drittanbieter (z. B. eBay) erworben, unabhängig von den Angaben in der Auflistung

### Einzelheiten dazu, was nicht von der Garantie abgedeckt ist:

- Normale Abnutzung und Verschleiß an Reifen, Schläuchen, Bremsen, Schaltzügen, Bremsbelägen etc. sind nicht abgedeckt. Ihr autorisierter Rocky Mountain Händler kann genaue Informationen über die Wartung dieser Teile geben.
- Folgeschäden oder Schäden, die durch Unfall, unsachgemäße oder missbräuchliche Nutzung verursacht werden.
- Unsachgemäße Montage und/oder unterlassene ordnungsgemäße Wartung, Sandstrahlen, Schleifen, Fräsen, Bürsten, Feilen, Schweißen, Lötten, das Bohren von Löchern, Eloxieren, Neulackieren oder Verchromen werden von der Garantie nicht abgedeckt und können dazu führen, dass die Herstellergarantie der Komponenten erlischt.
- Wenn Sie in extremem Gelände fahren, wie es in Mountainbike-Videos gezeigt wird (z. B. durch Befahren „Trial“-ähnlicher Strecken, Befahren von Rampen, Ausführen von Stunts, Fahren auf BMX-Strecken, in der Stadt Treppen und Böschungen herunterfahren oder Fahrten in ähnlichem Gelände), setzen Sie sich großen Gefahren aus und verlieren Ihre Garantieansprüche gemäß den Angaben in der Garantietabelle. Es ist wichtig zu wissen, dass verbogene Komponenten, Rahmen, Gabeln, Lenker, Sattelstützen, Pedale, Kurbeln und Felgen Zeichen von Unfällen und/oder unsachgemäßem Gebrauch sind.
- Arbeitskosten für den Austausch oder den Wechsel von Teilen sind nicht eingeschlossen.
- Rocky Mountain behält sich das Recht vor, Teile nach seinem Ermessen zu reparieren oder auszutauschen, die als gültiger Garantieanspruch erachtet werden. Bitte beachten Sie, dass Rocky Mountain eine Farbübereinstimmung mit dem ursprünglichen Teil nicht garantieren kann.

## GARANTIEAUSSCHLUSS UND HAFTUNGSBESCHRÄNKUNGEN

DIE GARANTIE VON ROCKY MOUNTAIN IST AUF DIE REPARATUR BZW. DEN AUSTAUSCH DER PRODUKTE BESCHRÄNKT UND SCHLIESST KEINE GARANTIE, WEDER AUSDRÜCKLICH NOCH IMPLIZIT, GESETZLICH ODER KONVENTIONELL EIN, UND SCHLIESST JEDLICHE IMPLIZITE GEWÄHRLEISTUNG DER MARKTFÄHIGKEIT UND DER EIGNUNG FÜR BESTIMMTE ZWECKE AUS. ROCKY MOUNTAIN HAFTET UNTER KEINEN UMSTÄNDEN FÜR DIREKTE ODER INDIREKTE, BESTIMMTE, ZUFÄLLIGE ODER FOLGESCHÄDEN, SELBST WENN ROCKY MOUNTAIN ÜBER DIESE SCHÄDEN UNTERRICHTET WURDE. DIE HAFTUNGSSUMME VON ROCKY MOUNTAIN IST AUF 50,00 DOLLAR BESCHRÄNKT.

# Konformitätserklärung

---

Die folgenden mit Powerplay™ ausgerüsteten Fahrradplattformen erfüllen die Anforderungen der unten aufgeführten Standards..

Rocky Mountain Altitude Powerplay™

Rocky Mountain Instinct Powerplay™

For a complete list of models go to [www.bikes.com](http://www.bikes.com)

- EN 15194:2017: Fahrräder mit Trethilfe, die mit einem elektromotorischen Hilfsantrieb ausgestattet sind – EPAC-Fahrräder
- ISO 4210-2:2015: Sicherheitstechnische Anforderungen und Testverfahren für Mountainbikes
- IEC/EN 62133-2:2017: Anforderungen und Prüfungen für den sicheren Betrieb von tragbaren, gasdichten Sekundär-Lithiumzellen und -batterien. Teil 2: Lithium-Systeme

## Hersteller

### Rocky Mountain

#### Geschäftsbereich von Industries RAD Inc.

9095, 25th Avenue

St-Georges, QC

Canada, G6A 1A1

2021/10/27

## Patente

---

Powerplay™-Bikes sind möglicherweise von einem oder mehreren dieser Patente geschützt:

- **Dyname System**  
USA: US9643683B2  
EUROPA: EP2957496B1  
KANADA: CA2894856C
- **Drehmomentsensor**  
USA: US10583893B2  
EUROPA: Ausstehend  
KANADA: Ausstehend





## Introduzione

---

Il presente manuale contiene informazioni importanti per la sicurezza, la manutenzione e l'uso. Leggilo attentamente e comprendilo a fondo prima di usare la tua nuova bicicletta Powerplay™ per la prima volta.

Questo materiale si applica solo alla trasmissione Powerplay™ e deve essere utilizzato insieme al Manuale del proprietario di Rocky Mountain.

Leggi il Manuale del proprietario prima di utilizzare la tua bicicletta Powerplay™ per la prima volta. Se non possiedi una copia del manuale di istruzioni, puoi ottenerla dal rivenditore autorizzato Rocky Mountain più vicino a te.

## Registrazione

---

La procedura di registrazione della tua bicicletta è il modo ufficiale di accoglierti nella famiglia Rocky Mountain. È inoltre una tappa importante per attivare la garanzia della tua bicicletta. Nel caso in cui si verificasse un problema, potremo gestire il tuo caso in maniera efficiente e farti risalire in sella il più presto possibile. La procedura di registrazione è semplice e richiede solo alcuni minuti.

**Registra la tua bicicletta: [bikes.com/register](https://bikes.com/register)**

## Avvertenze

---

### **Potenza**

La bicicletta Powerplay™ è dotata di una potente funzionalità di pedalata assistita quando si esercita forza sui pedali. Prendi confidenza con le caratteristiche di guida e di pedalata assistita della tua bicicletta su un giro sicuro e piano prima di usarla sui percorsi fuoristrada.

### **Avviamento istantaneo**

La bicicletta Powerplay™ è dotata della tecnologia "Avviamento istantaneo", che usa un sofisticato circuito di rilevazione della coppia per erogare istantaneamente una potenza uniforme e naturale. Tale circuito è molto sensibile e quindi è necessario prestare attenzione a evitare che la bicicletta acceleri da ferma in modo inatteso o incontrollato.

### **Prestare attenzione ai sui sentieri**

La bicicletta Powerplay™ accelera più rapidamente e si comporta diversamente rispetto alle biciclette tradizionali non assistite. Occorre prestare un'attenzione adeguata sui sentieri e tenere a mente le particolari caratteristiche di comportamento e accelerazione della bicicletta.

### **Mantenere lontane le dita**

Non avvicinare le dita o qualsiasi attrezzo all'unità di trasmissione. La manutenzione e la riparazione dell'unità di trasmissione devono essere eseguite esclusivamente da un centro di assistenza autorizzato Rocky Mountain.

### **Non modificare**

Non modificare l'unità di trasmissione Powerplay o qualsiasi componente collegato direttamente all'unità di trasmissione. La manutenzione e la riparazione dell'unità di trasmissione devono essere eseguite esclusivamente da un centro di assistenza autorizzato Rocky Mountain. Qualsiasi tentativo di modificare l'unità di trasmissione Powerplay può causare gravi lesioni personali o la morte e invalida immediatamente la garanzia della bicicletta.

# Shrediquette

---

## Utenti

Sii sempre gentile con chi si trova sugli stessi sentieri. Presta particolare attenzione agli animali domestici, come i cani e i cavalli. Dai la precedenza agli altri utenti del sentiero in tutte le situazioni, sia in salita che in discesa.

## Sentieri

Usa la tua bicicletta Powerplay solo su sentieri o percorsi destinati a veicoli motorizzati. Osserva tutte le leggi e tutti i regolamenti vigenti a livello locale. Come tutti gli utenti dei sentieri, i ciclisti sono tenuti a prestare attenzione a non danneggiare i sentieri o l'ambiente. Non sbandare sui sentieri e non apportare modifiche.

## Conoscere La Tua Bicicletta



### Dettagli tecnici

- Dimensioni e peso ridotti
  - Il motore Dyname 4.0 è più leggero del 18,5% rispetto alla generazione precedente, Dyname 3.0.
  - Abbiamo ridotto il peso del nostro motore aumentandone nel contempo l'affidabilità. Il motore Dyname 4.0 è dotato di cuscinetti più grandi per una maggiore durata della trasmissione.
- Sistema di trasmissione silenzioso
  - Il motore Dyname 4.0 ha un minore numero di giri e, di conseguenza, un ronzio elettrico ridotto rispetto ad altri sistemi.
  - Abbiamo rimosso il passacatena superiore presente nel sistema di trasmissione Dyname 3.0 per ridurre il rumore meccanico e la resistenza durante la pedalata.
- Erogazione di potenza reattiva e naturale
  - Il sensore di coppia del nostro sistema rileva la tensione applicata direttamente alla catena e rimuove il ritardo indesiderato per dare una risposta istantanea e naturale quando viene erogata la potenza.
  - Abbiamo sviluppato una nuova curva di

coppia progettata per erogare potenza gradualmente fino a raggiungere il massimo di 770 W alla cadenza ottimale (85 giri/min). La curva di potenza variabile ti offre più controllo sulla tua bicicletta sui sentieri, anche in scenari come le partenze da colline ripide e tecniche.

- Coppia e potenza
  - Il sistema di trasmissione Dyname 4.0 offre la stessa coppia di 108 Nm, leader della categoria, introdotta nel sistema Dyname 3.0 della nostra precedente generazione di biciclette.
  - Il nostro sistema di trasmissione ha una potenza di picco di 770 W: quando ti occorrono, hai tutti i watt necessari.
- Jumbotron
  - Il Jumbotron è il nostro display, perfettamente integrato nel tubo superiore delle nostre nuove bici Powerplay. Posizionato in modo da mostrare tutti i dati e le informazioni chiave in una posizione comoda e facile da vedere, il display può essere controllato con il telecomando sul manubrio o con i pulsanti sul Jumbotron stesso.

## Conoscere La Tua Bicicletta



### Dettagli tecnici

- Capacità della batteria  
 -Abbiamo aumentato la capacità della batteria Powerplay da 672 Wh a 720 Wh, per permetterti di passare più tempo in sella.
- Telecomando più piccolo  
 -Abbiamo sostituito l'iWoc che era presente sulla nostra precedente generazione di Powerplay con un nuovo telecomando più piccolo. Progettato da noi, il nostro nuovo telecomando ha una migliore ergonomia per il ciclista ed è progettato per il minimo ingombro. Il design più piccolo ne permette anche l'uso con più opzioni di cambio e freno.
- Carica  
 -Per i nuovi modelli Powerplay abbiamo un caricatore da 4 ampere e uno da 2 ampere, entrambi i quali ricaricano rapidamente la batteria per permetterti di rimetterti subito in sella. Il meno potente dei due, il caricatore da 2 ampere, carica la batteria da 0 a 100% in 7 ore e 35 minuti, battendo tutta la concorrenza.
- Cinematismo del perno medio-alto e traiettoria ruota  
 -Il nostro design rivisto delle sospensioni presenta una posizione del perno principale medio-alta che si integra perfettamente con la nostra trasmissione Dyname 4.0. La catena cinematica ha un migliore supporto sia nel rapporto di leva che nell'anti-squat; questo si traduce in un'erogazione di potenza più fluida al suolo con meno perdita di energia. Il perno principale medio-alto crea anche una traiettoria della ruota più arretrata che elimina del tutto il chattering da piccolo a medio.
- Sistema di regolazione RIDE-4  
 -Il sistema di regolazione RIDE-4 permette ai ciclisti di mettere a punto rapidamente la geometria e le sospensioni con una sola chiave a brugola. Sono possibili quattro configurazioni grazie a due piccoli chip.

## Conoscere La Tua Bicicletta



### Dettagli tecnici

- Lunghezza del fodero orizzontale regolabile-La lunghezza del fodero orizzontale è regolabile in passi da 10 mm, capovolgendo i chip dell'asse e l'adattatore del freno a montaggio diretto da 200 mm. La posizione corta favorisce uno stile di guida brioso e agile, mentre la posizione più lunga favorisce la stabilità ad alte velocità. L'asta di sospensione Rocky Mountain è compatibile UDH anche nella posizione lunga.
- Intradamento dei cavi interno con fissaggio - Ci sono portacavi interni con fermi sicuri per evitare il rumore di cavi liberi durante la guida, ma che al tempo stesso rendono facile il passaggio di cavi e guaine, anche se preferisci una configurazione tipo moto con il freno anteriore sul lato destro.
- Protezioni aggiuntive e guidacatena - I telai sono dotati di protezioni per il tubo obliquo e di protezione antirumore per il fodero orizzontale.
- Attacco ammortizzatore modulare - Il nostro attacco ammortizzatore modulare, disponibile solo sui modelli in carbonio, permette futuri aggiornamenti del cinematismo delle sospensioni.
- Design dei perni aggiornato -I nostri perni del fodero orizzontale e verticale sono dotati di doppi cuscinetti per una maggiore stabilità e durata. Ci sono cuscinetti schermati su tutti i perni, compreso l'attacco inferiore dell'ammortizzatore (compatibile anche con gli ammortizzatori post-vendita).

## Configurazione Di Base

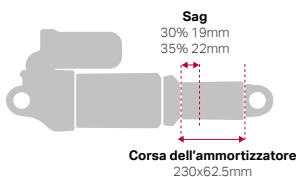
Esistono diverse variabili che possono essere cambiate per mettere a punto la configurazione della sospensione. Queste sono alcune linee guida di base per darti un'idea; potrai poi sperimentare le regolazioni migliori per te. Il primo passo è impostare il sag. Il sag misura l'affondamento dell'unità ammortizzante quando il biker è in sella (inclusi tutti gli accessori). Regola la capacità di assorbimento delle sospensioni ad aria o a molla e il precarico fino a raggiungere il sag desiderato.

Rispetta la quantità minima e massima di precarica raccomandata dal produttore per una determinata sospensione a molla. Se è necessario modificare la capacità di assorbimento della molla, tieni presente che è necessario rimuovere gli occhielli ammortizzatori per rimuovere la molla elicoidale.

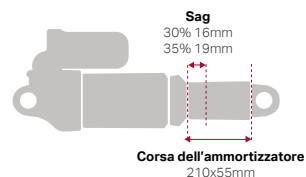
### Sag dell'ammortizzatore

Si raccomanda un sag tra il 30 e il 35 % per questa piattaforma.

#### ALTITUDE POWERPLAY



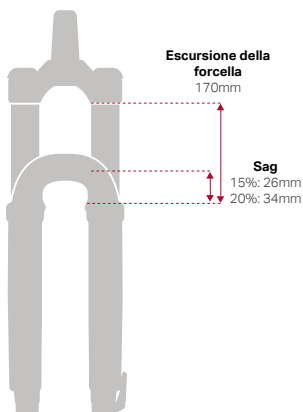
#### INSTINCT POWERPLAY



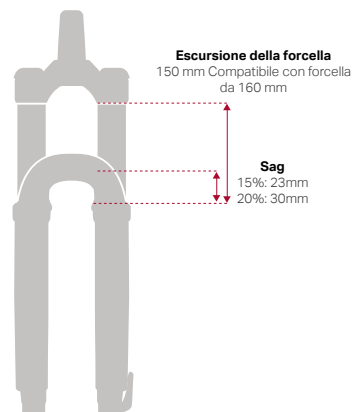
### Sag forcella

Si raccomanda un sag tra il 15 e il 20 % per questa piattaforma.

#### ALTITUDE POWERPLAY



#### INSTINCT POWERPLAY





## Tabella Molle Altitude Powerplay

### Rebound

La regolazione del rebound controlla la velocità alla quale la sospensione ritorna a estensione completa dopo un urto. Uno smorzamento del rebound eccessivo, cioè far cliccare la manopola del rebound verso l'impostazione lenta, porterà la forcella o l'ammortizzatore a muoversi troppo lentamente. Impatti ripetuti porteranno la forcella ad affondare sempre più nella corsa, facendola sembrare più rigida. Uno smorzamento del rebound insufficiente, cioè far cliccare la manopola del rebound verso l'impostazione veloce, porterà la forcella a ritornare in posizione troppo velocemente, causando una perdita di trazione e controllo. Seguire le raccomandazioni del fabbricante per la regolazione di base, poi fare delle prove per trovare l'equilibrio perfetto.

### Compression

La compressione a bassa velocità (LSC) resiste agli spostamenti di peso del biker, ai movimenti di pompaggio, ai cambiamenti improvvisi della forza di accelerazione e ad altre azioni lente. Troppa LSC si tradurrà in una sensazione di guida più dura; una LSC insufficiente si tradurrà in una sensazione di pedalata troppo morbida e che non risponde. feel that's too soft and unresponsive.

#### 2022 ALTITUDE POWERPLAY 230 x 62,5 FOX DHX2 AMMORTIZZATORE A MOLLA

\*Conteggio clic da chiuso: 0 clic = chiuso\*

PESO DEL BIKER	PESO MOLLA IN ACCIAIO	PESO MOLLA FOX SLS	SAG DEL L'AMMORTIZZATORE	IMPOSTAZIONE LSC *SE DISPONIBILE CONSIGLIATA	IMPOSTAZIONE HSR CONSIGLIATA	IMPOSTAZIONE LSC CONSIGLIATA	IMPOSTAZIONE HSC CONSIGLIATA
100 / 45	300	300	19 - 22 mm	10-11	6-7	14-15	6-7
110 / 50	300	325	19 - 22 mm	9--11	6-7	14-15	6-7
120 / 55	350	350	19 - 22 mm	8-9	6-7	14-15	6-7
130 / 59	350	375	19 - 22 mm	8-10	6-7	13-14	6-7
140 / 64	400	400	19 - 22 mm	6-7	5-6	12-13	5-6
150 / 68	400	425	19 - 22 mm	6-7	5-7	11-13	5-6
160 / 73 *Size MD	450	450	19 - 22 mm	5-6	4-5	9-10	5-6
170 / 77	450	475	19 - 22 mm	5-6	4-5	9-11	4-6
180 / 82 *Size LG	500	500	19 - 22 mm	4-5	4-5	9-10	4-5
190 / 86	500	525	19 - 22 mm	4-5	3-5	7-9	3-4
200 / 91 *Size XL	550	550	19 - 22 mm	3-4	3-4	6-7	3-4
210 / 95	600	Non disponibile	19 - 22 mm	2-3	2-3	5-6	2-3
220 / 100	600		19 - 22 mm	2-3	2-3	5-6	2-3
230 / 105	650		19 - 22 mm	1-2	1-2	4-5	1-2
240 / 109	700		19 - 22 mm	1-2	0-1	3-4	0-1
250 / 114	Non disponibile		19 - 22 mm	Non disponibile	Non disponibile	Non disponibile	Non disponibile

#### 2022 ALTITUDE POWERPLAY 230 x 62,5 FOX FLOAT X2 AIR SHOCK

\*Conteggio clic da chiuso: 0 clic = chiuso\*

PESO DEL BIKER	FOX FLOAT X2 PSI	SAG DEL L'AMMORTIZZATORE	IMPOSTAZIONE LSR CONSIGLIATA	IMPOSTAZIONE HSR CONSIGLIATA	IMPOSTAZIONE LSC CONSIGLIATA	IMPOSTAZIONE HSC CONSIGLIATA
100 / 45	135	19 - 22 mm	11-14	5-6	14-16	6-7
110 / 50	145	19 - 22 mm	11-13	5-6	14-16	6-7
120 / 55	155	19 - 22 mm	10-12	5-6	13-15	6-7
130 / 59	165	19 - 22 mm	9-11	4-5	13-15	6-7
140 / 64	175	19 - 22 mm	8-10	4-5	12-14	5-6
150 / 68	190	19 - 22 mm	7-9	4-5	11-13	5-6
160 / 73	200	19 - 22 mm	7-9	3-4	10-12	5-6
170 / 77	210	19 - 22 mm	6-8	3-4	9-11	4-5
180 / 82	220	19 - 22 mm	6-8	3-4	8-10	4-5
190 / 86	230	19 - 22 mm	5-7	2-3	7-9	4-5
200 / 91	240	19 - 22 mm	4-6	2-3	6-8	4-5
210 / 95	255	19 - 22 mm	3-5	2-3	5-7	3-4
220 / 100	265	19 - 22 mm	2-4	2-3	4-6	3-4
230 / 105	275	19 - 22 mm	2-4	1-2	2-4	3-4
240 / 109	285	19 - 22 mm	1-3	1-2	2-4	3-4
250 / 114	295	19 - 22 mm	1-3	1-2	2-4	2-3

## Tabella Molle Altitude Powerplay

### 2022 ALTITUDE POWERPLAY 230 x 62,5 FOX FLOAT X AIR SHOCK \*Conteggio clic da chiuso: 0 clic = chiuso\*

PESO DEL BIKER	FOX FLOAT X PSI	SAG DEL L'AMMORTIZZATORE	IMPOSTAZIONE LSR CONSIGLIATA	IMPOSTAZIONE LSC *SE DISPONIBILE CONSIGLIATA
100 / 45	140	19 - 22 mm	12	Inizia aperto / Regola per adattarlo
110 / 50	145	19 - 22 mm	11-12	Inizia aperto / Regola per adattarlo
120 / 55	155	19 - 22 mm	11	Inizia aperto / Regola per adattarlo
130 / 59	165	19 - 22 mm	10-11	Inizia aperto / Regola per adattarlo
140 / 64	175	19 - 22 mm	10	Inizia aperto / Regola per adattarlo
150 / 68	185	19 - 22 mm	8-10	Inizia aperto / Regola per adattarlo
160 / 73	190	19 - 22 mm	8	Inizia aperto / Regola per adattarlo
170 / 77	200	19 - 22 mm	7-8	Inizia aperto / Regola per adattarlo
180 / 82	210	19 - 22 mm	7	Inizia aperto / Regola per adattarlo
190 / 86	220	19 - 22 mm	7	Inizia aperto / Regola per adattarlo
200 / 91	230	19 - 22 mm	7	Inizia aperto / Regola per adattarlo
210 / 95	240	19 - 22 mm	5-6	Inizia aperto / Regola per adattarlo
220 / 100	250	19 - 22 mm	5	Inizia aperto / Regola per adattarlo
230 / 105	260	19 - 22 mm	2-3	Inizia aperto / Regola per adattarlo
240 / 109	270	19 - 22 mm	2	Inizia aperto / Regola per adattarlo
250 / 114	280	19 - 22 mm	2	Inizia aperto / Regola per adattarlo

### 2022 ALTITUDE POWERPLAY 230 x 62,5 FOX DHX2 AMMORTIZZATORE A MOLLA

\*Conteggio clic da chiuso: 0 clic = chiuso\*

PESO DEL BIKER	PESO MOLLA IN ACCIAIO	MOLLA FOX SLS	SAG DEL L'AMMORTIZZATORE	IMPOSTAZIONE LSR CONSIGLIATA	IMPOSTAZIONE HSR CONSIGLIATA	IMPOSTAZIONE LSC CONSIGLIATA	IMPOSTAZIONE HSC CONSIGLIATA
100 / 45	300	300	19 - 22 mm	11-12		14-15	
110 / 50	300	325	19 - 22 mm	10-11		14-15	
120 / 55	350	350	19 - 22 mm	9-11		14-15	
130 / 59	350	350	19 - 22 mm	8-9		14-15	
140 / 64	400	400	19 - 22 mm	8-10		14-15	
150 / 68	400	425	19 - 22 mm	6-7		13-14	
160 / 73 *Size MD	450	450	19 - 22 mm	6-7		12-13	
170 / 77	450	475	19 - 22 mm	5-6		11-13	
180 / 82 *Size LG	500	500	19 - 22 mm	5-6	Not Available	9-10	Not Available
190 / 86	500	525	19 - 22 mm	4-5		9-11	
200 / 91 *Size XL	550	550	19 - 22 mm	4-5		9-10	
210 / 95	600	Not Available	19 - 22 mm	3-4		7-9	
220 / 100	600		19 - 22 mm	2-3		6-7	
230 / 105	650		19 - 22 mm	2-3		5-6	
240 / 109	700		19 - 22 mm	1-2		5-6	
250 / 114	Not Available		19 - 22 mm	Not Available		6-7	

## Tabella Molle Instinct Powerplay

### 2022 INSTINCT POWERPLAY 210 X 55 FOX FLOAT X AIR SHOCK\*Conteggio clic da chiuso: 0 clic = chiuso\*

PESO DEL BIKER	FOX FLOAT X PSI	SAG DEL L'AMMORTIZZATORE	IMPOSTAZIONE LSR CONSIGLIATA	IMPOSTAZIONE LSC *SE DISPONIBILE CONSIGLIATA
100 / 45	130	16 - 19 mm	12	Inizia aperto / Regola per adattarlo
110 / 50	140	16 - 19 mm	11-12	Inizia aperto / Regola per adattarlo
120 / 55	150	16 - 19 mm	11	Inizia aperto / Regola per adattarlo
130 / 59	160	16 - 19 mm	10-11	Inizia aperto / Regola per adattarlo
140 / 64	170	16 - 19 mm	10	Inizia aperto / Regola per adattarlo
150 / 68	180	16 - 19 mm	8-10	Inizia aperto / Regola per adattarlo
160 / 73	190	16 - 19 mm	8	Inizia aperto / Regola per adattarlo
170 / 77	200	16 - 19 mm	7-8	Inizia aperto / Regola per adattarlo
180 / 82	210	16 - 19 mm	7	Inizia aperto / Regola per adattarlo
190 / 86	220	16 - 19 mm	7	Inizia aperto / Regola per adattarlo
200 / 91	230	16 - 19 mm	7	Inizia aperto / Regola per adattarlo
210 / 95	240	16 - 19 mm	5-6	Inizia aperto / Regola per adattarlo
220 / 100	250	16 - 19 mm	5	Inizia aperto / Regola per adattarlo
230 / 105	260	16 - 19 mm	2-3	Inizia aperto / Regola per adattarlo
240 / 109	270	16 - 19 mm	2	Inizia aperto / Regola per adattarlo
250 / 114	280	16 - 19 mm	2	Inizia aperto / Regola per adattarlo

### 2022 INSTINCT POWERPLAY 210 X 55 ROCK SHOX DELUXE AIR SHOCK

\*Conteggio clic da chiuso: 0 clic = chiuso\*

PESO DEL BIKER	FOX FLOAT X PSI	SAG DEL L'AMMORTIZZATORE	IMPOSTAZIONE LSR CONSIGLIATA	IMPOSTAZIONE LSC *SE DISPONIBILE CONSIGLIATA
100 / 45	110	16 - 19 mm	8	Inizia aperto / Regola per adattarlo
110 / 50	120	16 - 19 mm	7-8	Inizia aperto / Regola per adattarlo
120 / 55	130	16 - 19 mm	7-8	Inizia aperto / Regola per adattarlo
130 / 59	140	16 - 19 mm	7	Inizia aperto / Regola per adattarlo
140 / 64	150	16 - 19 mm	6-7	Inizia aperto / Regola per adattarlo
150 / 68	160	16 - 19 mm	6-7	Inizia aperto / Regola per adattarlo
160 / 73	170	16 - 19 mm	6	Inizia aperto / Regola per adattarlo
170 / 77	180	16 - 19 mm	5-6	Inizia aperto / Regola per adattarlo
180 / 82	190	16 - 19 mm	5-6	Inizia aperto / Regola per adattarlo
190 / 86	200	16 - 19 mm	5	Inizia aperto / Regola per adattarlo
200 / 91	210	16 - 19 mm	4-5	Inizia aperto / Regola per adattarlo
210 / 95	220	16 - 19 mm	4-5	Inizia aperto / Regola per adattarlo
220 / 100	230	16 - 19 mm	4	Inizia aperto / Regola per adattarlo
230 / 105	240	16 - 19 mm	3-4	Inizia aperto / Regola per adattarlo
240 / 109	250	16 - 19 mm	3-4	Inizia aperto / Regola per adattarlo
250 / 114	260	16 - 19 mm	3	Inizia aperto / Regola per adattarlo

## Occhiello Ammortizzatore

### Manutenzione

Il telaio è dotato di cuscinetti a cartuccia nell'occhiello posteriore, che consentono una migliore aderenza ai piccoli urti. Questi cuscinetti sono portati da coppe saldamente installate sull'asse dell'ammortizzatore.



Quando si fa la manutenzione dell'ammortizzatore, consigliamo vivamente di rimuovere questi componenti, poiché i centri di assistenza per le sospensioni non possono garantire che vengano restituiti. Per rimuovere il sistema, segui questi passaggi:

- Utilizzare il kit di utensili per occhielli ammortizzatori Rocky Mountain (codice# 1810031)
- Installare la calotta copri cuscinetto su un lato dell'occhiello del cuscinetto
- Quindi, installare uno degli strumenti per la rimozione della coppa sopra la coppa del cuscinetto con la calotta copri cuscinetto installato.
- Avvitare saldamente la vite M8 contro la calotta copri cuscinetto
- Installare l'altro strumento di rimozione della coppa sopra l'altra coppa del cuscinetto
- Avvitare la vite M8 fino in fondo fino a quando non inizia a spingere sull'altro lato. È a contatto con l'interno della calotta copri cuscinetto.
- Continuare a infilare fino a quando una delle coppe non è completamente estratta.
- Quindi inserire il punteruolo attraverso l'occhiello dell'ammortizzatore e appoggiarlo

saldamente contro la coppa del cuscinetto che è ancora premuta nell'occhiello dell'ammortizzatore.

- Delicatamente, ma con fermezza, martellare il punteruolo fino a rimuovere completamente la coppa del cuscinetto dall'occhiello dell'ammortizzatore.

**Se non si dispone del kit di strumenti per occhielli per cuscinetti Rocky Mountain, utilizzare un estrattore per cuscinetti a foro cieco:**

- Utilizzare un estrattore per cuscinetti a foro cieco (estensione di 8mm) per rimuovere entrambi i cuscinetti.
- Rimuovere la boccola centrale.
- Utilizzare l'estrattore per cuscinetti a foro cieco (estensione da 10mm) per rimuovere le coppe vuote.

*NOTA: il diametro interno delle coppe è di 11 mm, il che significa che l'estensione da 12mm non si adatta (quindi non forzarla); utilizzare l'estensione da 10mm.*

Per installare nuove coppe, utilizzare una pressa per cuscinetti o una morsa con ganasce morbide installate, assicurandosi di premere sul bordo esterno delle coppe e non dimenticare la boccola distanziatrice centrale tra le coppe.

## RIDE-4

Il sistema di regolazione RIDE-4™ permette al biker di regolare in modo preciso la geometria con una chiave a brugola da 5 mm. Esistono quattro configurazioni possibili grazie a una coppia di chip rotanti. La regolazione della geometria è un'arte complessa che varia molto in base allo stile del biker, alle sue preferenze e abilità, e a seconda del tipo di terreno. Ti consigliamo di affidarti a un professionista per questa regolazione, ma crediamo anche che imparare a regolare da soli la propria bicicletta è il modo migliore per comprendere appieno la sua performance. Durante la regolazione del tuo RIDE-4, apporta i cambiamenti progressivamente, prendi appunti e sii metodico. Non regolare di fretta prima di una lunga pedalata. Prenditi il tempo necessario e cerca il piacere in ciò che fai.

### PRONTI PER OGNI SENTIERO

Il sistema di regolazione RIDE-4™ permette al biker di regolare in modo preciso la geometria e le sospensioni con una chiave a brugola da 5 mm.

ANGOLO DEL  
CANNOTTO DI  
STERZO PIÙ ACUTO  
SOSPENSIONE MENO  
PROGRESSIVA



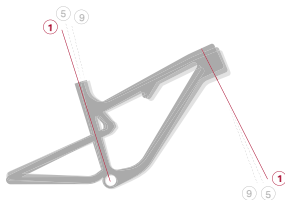
ANGOLO DEL  
CANNOTTO DI STERZO  
SOSPENSIONE PIÙ PROGRESSIVA



### Position

APERTA

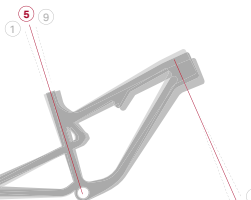
Il movimento centrale più basso e la sospensione progressiva aumentano la stabilità alle alte velocità. Raccomandata per ciclismo più aggressivo



### Position 3

NEUTRA

Questa posizione offre un mix equilibrato di geometria e prestazioni delle sospensioni per adattarsi a una grande varietà di percorsi

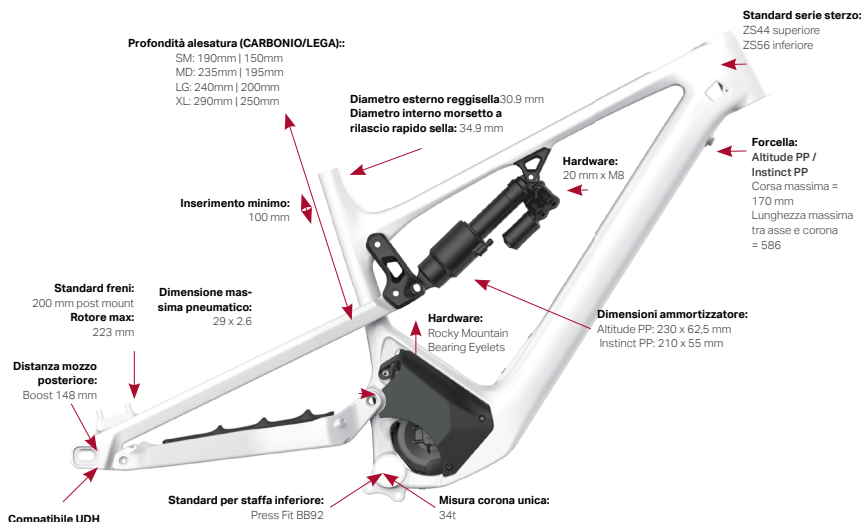


### Position 4

ACUTA

Il movimento centrale più alto e la sospensione lineare consentono una migliore distanza dai pedali, un tasso di sospensione iniziale più sostenuto e una posizione sulla bicicletta più adatta alla salita.

## Guida Alle Misure



### Montaggio ammortizzatori

Controlliamo che ci sia spazio per molti ammortizzatori ma non possiamo garantire la compatibilità con tutte le marche e modelli.

Rivolgersi al proprio rivenditore locale in caso di domande specifiche riguardanti il montaggio degli ammortizzatori.

### Ammortizzatori approvati per Altitude Powerplay e Instinct Powerplay

#### Fox

- FLOAT DPS
- FLOAT X
- FLOAT X2
- DHX
- DHX2

#### Marzocchi

- Bomber RC

#### RockShox

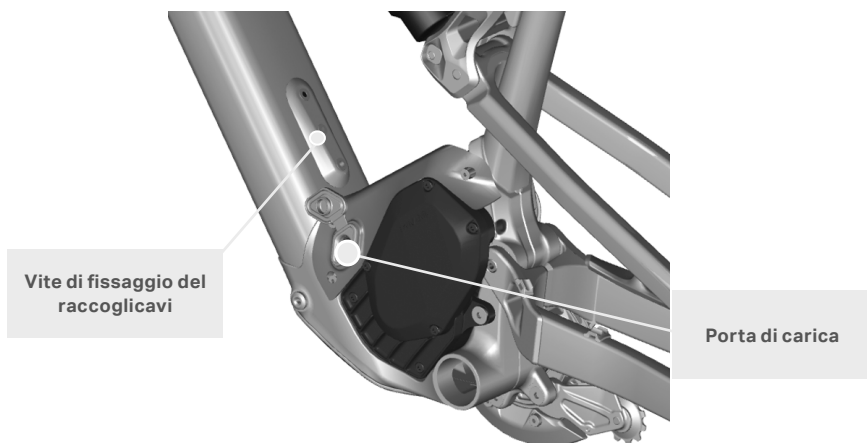
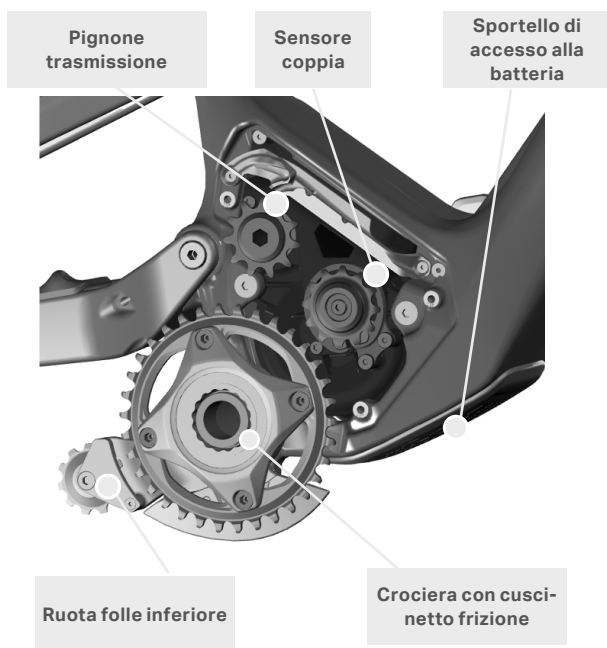
- Deluxe
- Super Deluxe
- Super Deluxe Coil
- \*SIDLuxe not approved

#### Can Creek

- DB Coil
- DBiL Coil
- DB Air
- DBiL Air

## Immagini







## Controlli di guida

**Unità di controllo remoto TMI** (Thumb-Machine Interface, interfaccia pollice-macchina)



## Jumbotron

Il display Jumbotron è il centro di comunicazione della bicicletta Powerplay™. Serve per far funzionare il sistema, visualizzare informazioni e diagnosticare e riparare i guasti. Gli aggiornamenti del firmware saranno eseguiti attraverso il modulo USB e il computer come necessario.



## Display



# Uso della bicicletta

## Avvertenza

Assicurati di azionare i freni prima di esercitare qualsiasi pressione sui pedali o anche solo di appoggiarvi i piedi. La trasmissione PowerplayTM usa un circuito di rilevamento coppia sofisticato per erogare una potenza uniforme, istantanea e naturale. Tale circuito è molto sensibile e devi quindi prestare attenzione a evitare che la bicicletta acceleri allontanandosi da te mentre sei fermo.

## Accensione

Per avviare la trasmissione PowerplayTM, usa il pulsante sul Jumbotron per accendere la bicicletta, tenendolo premuto per 2 secondi. Nota: la trasmissione PowerplayTM si avvia sempre nella seconda modalità di assistenza più bassa. Il ciclista può quindi aumentare l'assistenza utilizzando l'unità di controllo remoto o il Jumbotron.

## Livelli di potenza

La trasmissione PowerplayTM offre diversi livelli di potenza dell'assistenza:

### Livello 1: Eco

È l'impostazione di potenza più bassa, utilizzata per aumentare al massimo la durata della batteria e l'azione del ciclista.

### Livello 2: Trail

Questo livello bilancia assistenza e durata della batteria per la guida generica su sentieri.

### Livello 3: Trail+

Questo livello dà al ciclista una spinta sufficiente per una guida emozionante e una buona velocità nelle salite, senza scaricare eccessivamente la batteria.

### Livello 4: Ludicrous

Questo livello eroga potenza elevata alla ruota posteriore, per dare la massima velocità e assistenza. Tieni presente che l'uso prolungato della modalità Ludicrous scarica la batteria piuttosto rapidamente. Per cambiare livello di assistenza, usa l'unità di controllo remoto (pulsante su o giù) o clicca il pulsante sul Jumbotron.

NOTA: IL CICLISTA PUÒ PERSONALIZZARE SIA LE IMPOSTAZIONI DI POTENZA DI TUTTE LE 4 MODALITÀ, SIA LA SPINTA DEL MOTORE (SENSIBILITÀ DI COPPIA) NEL MENU PRINCIPALE. TIENI PREMUTO PER ACCEDERE. ⚡

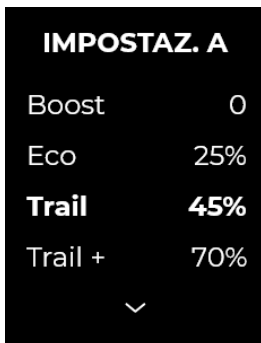
## Regolazione assistenza

I livelli di assistenza possono essere regolati all'inizio o in qualsiasi momento durante la corsa. Il sistema **Dyname™ 4.0** può tenere in memoria 3 diverse mappe di assistenza: una mappa **FACTORY** predefinita e due impostazioni personalizzabili. Il ciclista può scegliere tra le mappe a seconda della reazione desiderata del sistema di trasmissione.

### Selezione impostazione



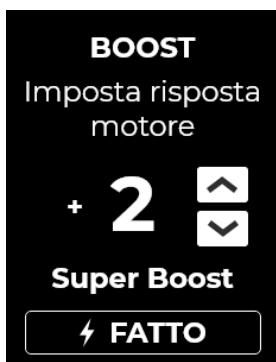
### Regolazione impostazione



#### 2 parametri regolabili

- **Boost:** come il motore risponde all'input del ciclista (sensibilità di coppia o % di boost)
- **Potenza assistenza:** % della potenza disponibile per ciascuno dei 4 livelli di assistenza

## Boost motore



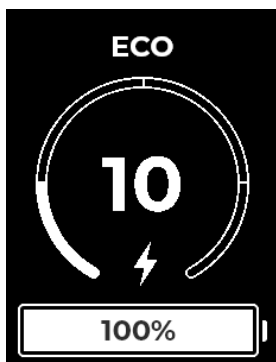
### Regolazione da +2 a -2

**+2** Minimo sforzo richiesto al ciclista. Spinta massima, autonomia della batteria minima: BRAAAAAAP

**0** Prestazioni equilibrate, buona risposta e autonomia della batteria

**-2** Sforzo di pedalata significativo richiesto al ciclista, autonomia della batteria massima, ottimale per allenamento.

## Potenza assistenza



### Regolazione da 1% a 100%

Per ciascuna delle 4 modalità di assistenza (Eco, Trail, Trail+, Ludicrous) puoi selezionare la potenza erogata. La percentuale si riferisce al picco di potenza disponibile. Non puoi regolare la potenza di una modalità di assistenza alta su un livello inferiore a quello di una modalità di assistenza bassa; ad es., la modalità Trail non può essere regolata su una potenza più bassa della modalità Eco.

# Batteria

---

I nostri modelli Powerplay™ hanno comandi, motori e componenti della batteria proprietari. Alcuni di questi componenti sono sensibili e richiedono precauzioni aggiuntive. Vogliamo assicurarci che tu abbia il maggior numero di informazioni possibili. Prendi nota dei seguenti dettagli aggiornati relativi alla batteria della Powerplay™ di Rocky Mountain e alla sua ricarica e manutenzione.

Il mancato rispetto delle istruzioni e delle linee guida contenute in questa sezione può provocare danni ai componenti elettrici della bicicletta e invalidare la garanzia. Ancora più importante, il mancato rispetto delle istruzioni può provocare lesioni personali gravi o letali.

## Informazioni generali

- Le batterie utilizzate in tutti i dispositivi Powerplay™ di Rocky Mountain hanno tutte le certificazioni richieste e un sistema di gestione della batteria (Battery Management System, BMS) che prevede più livelli di protezione dai guasti, per prevenire i pericoli. Nonostante queste misure di sicurezza, una batteria carica che ha raggiunto temperature estreme o una porta di ricarica che ha subito danni può comportare pericoli, causando scosse elettriche, incendi o lesioni.
- Se la batteria o il caricabatterie mostrano segni di danni, non li utilizzare e porta immediatamente la bicicletta al tuo rivenditore autorizzato Rocky Mountain per un controllo.
- La batteria e l'unità di trasmissione, così come gli altri componenti Powerplay™ proprietari, devono essere riparati solo da meccanici che hanno seguito la formazione su Powerplay™ erogata da Rocky Mountain.
- Evita il contatto di oggetti piccoli, appuntiti e/o metallici con la batteria o la presa di caricamento della batteria.
- Non modificare, aprire o smontare la batteria o il caricabatterie.
- Non pulire mai una bicicletta Powerplay™ con una lancia ad alta pressione né immergerla in acqua. La pioggia e il normale lavaggio non causano problemi.
- Una batteria integra non rilascia fluidi o gas. Tuttavia, in caso di danni, la batteria può rilasciare un liquido che può causare irritazioni e ustioni alla pelle e un gas irritante per le vie respiratorie. In caso di contatto della pelle o degli occhi con qualsiasi fluido o gas della batteria, lava immediatamente con acqua e rivolgiti a un medico.

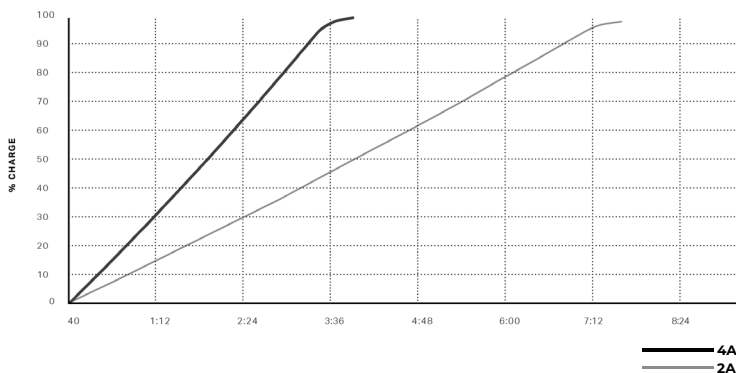
- Quando trasporti la bicicletta su un'auto, se la batteria viene rimossa, assicurati che tutti i collegamenti siano coperti per evitare contaminazioni da detriti stradali, acqua e sale.
- Se si verifica un incendio della batteria, non tentare di estinguerlo direttamente con acqua. Puoi usare acqua sui materiali incendiati attorno alla batteria, ma non sulle celle chimiche stesse. Per estinguere correttamente una batteria in fiamme, utilizza un estintore di classe ABC o BC. Può anche essere usata sabbia per soffocare efficacemente il fuoco. Se possibile, senza esporti al rischio di lesioni personali, se una batteria si surriscalda o si incendia, porta la batteria o l'intera bicicletta all'aperto per evitare che il fuoco si propaghi. Se la batteria è collegata a un caricabatterie, la prima cosa da fare è scollegare il caricabatterie o staccare la corrente.

## Carica

- Usa solo i caricabatterie Powerplay™ dedicati per qualsiasi batteria Powerplay™.
- Non lasciare il caricabatterie esposto alla luce diretta del sole, specialmente durante la ricarica.
- **Per ricaricare la batteria:**
  1. Individua la porta di ricarica sulla bicicletta Powerplay™ e apri la protezione della porta di ricarica.
  2. Osserva la forma del connettore del cavo di ricarica e orientalo correttamente verso la porta di ricarica della bicicletta. Collega il caricabatterie alla bicicletta Powerplay™.
  3. Inserisci il caricabatterie in una presa elettrica. Il LED sul caricabatterie si illuminerà con luce rossa per indicare che è in corso la ricarica.
  4. Quando la ricarica è completa, il LED diventerà verde. Non è necessario scollegare il caricabatterie immediatamente dopo il completamento della ricarica; evita tuttavia di lasciare la bicicletta collegata al caricabatterie per un periodo superiore alle 12 ore.
- Ricarica la tua bicicletta Powerplay™ in un'area aperta con accesso libero a un'uscita esterna.
- Come per qualsiasi bicicletta e apparecchiatura con batterie agli ioni di litio, si raccomanda di ricaricare la bicicletta solo sotto supervisione.
- Se la temperatura della batteria raggiunge i 50 °C, la ricarica si arresta fino a quando la temperatura scende a 45 °C. Se la temperatura della batteria scende a 0 °C, la ricarica si arresta fino a quando la temperatura sale a 3 °C.
- Il tempo di ricarica varia a seconda del livello di carica rimanente della batteria.

- Il tempo di ricarica è il seguente:

	Caricabatterie da 4 A	Caricabatterie da 2 A
Tempo di ricarica da 0 a 80%	2h55	6h00
Tempo di ricarica da 0 a 95%	3h25	7h00
Tempo di ricarica totale da 0 a 100%	3h55	7h35



- Non è necessario caricare completamente la batteria ogni volta. La puoi anche caricare parzialmente, ma ti consigliamo di caricarla completamente una volta ogni 10 cariche.

## Stoccaggio

- Per stoccare la tua bicicletta Powerplay™, tienila in un luogo sicuro non esposto a temperature estreme (sopra i 65 °C o sotto i -30 °C) o con eccessivo irradiazione solare, umidità o condensa. Se pensi che la bicicletta sia stata conservata nelle condizioni sopra elencate, non utilizzarla e contatta il tuo rivenditore autorizzato Rocky Mountain.
- Lasciare una batteria completamente scarica per un periodo prolungato causerà danni e ne diminuirà la capacità. Raccomandiamo di ricaricare la batteria ad almeno il 75% della sua capacità quando possibile, per evitare danni dovuti alla scarica profonda per periodi prolungati e quindi l'annullamento della garanzia.
- Se tieni la bicicletta inutilizzata per lunghi periodi di tempo, devi ricaricare la batteria periodicamente, almeno una volta ogni tre mesi, per mantenerne la capacità. In caso contrario, la batteria può danneggiarsi e perdere capacità. Un buon modo per ricordarsi di ricaricare una batteria non utilizzata è impostare dei promemoria nel computer o nello smartphone.
- Il modo migliore per mantenere la capacità ottimale della batteria nel tempo è quello di stoccare la bicicletta a temperature comprese tra 10 °C e 25 °C e un'umidità relativa inferiore al 65%.



## Funzionalità della batteria

- La batteria funziona in ambiente freddo, anche se con una capacità ridotta. A una temperatura di -10 °C riscontrerai circa il 70% della capacità piena. Se la bicicletta è fredda, raccomandiamo di riscaldarla prima dell'uso.
- Se la temperatura della batteria raggiunge i 65 °C, si spegnerà per protezione finché non scenderà sotto i 60 °C. Se la temperatura della batteria raggiunge i -20 °C, si spegnerà per protezione finché non tornerà ad almeno -15 °C.
- Quando la capacità residua della batteria è bassa, la trasmissione Powerplay™ ridurrà progressivamente la potenza in uscita per massimizzare l'autonomia.
- Tieni presente che le batterie agli ioni di litio perdono gradualmente capacità in base all'età e all'uso. Una diminuzione netta della capacità può essere un segno che la batteria sta raggiungendo la fine della sua vita e deve essere sostituita. Rivolgiti al tuo rivenditore autorizzato Rocky Mountain per la sostituzione della batteria. In condizioni di uso normale puoi prevedere questa durata:

### Batteria 720

Funzionerà all'80% della capacità piena dopo 500 cicli di carica completa (da 0% a 100% di carica).

## LED batteria

- **Durante la carica**

Bianco: 100% - 75%

Verde: 74,9% - 50%

Giallo: 49,9% - 25%

Rosso: 24,9% - 0%

- **Codici di errore (LED lampeggiante)**

Rosso: interrompi l'utilizzo / rivolgiti al tuo rivenditore

Giallo: aspetta 15 minuti.

Blu: troppo freddo! Riprova con una temperatura più elevata.

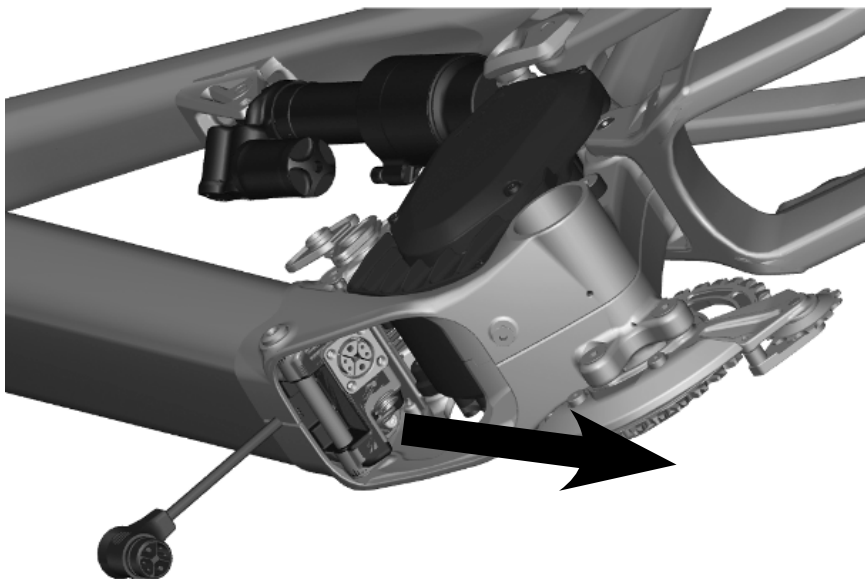
## Rimozione

Le biciclette Powerplay™ sono dotate di una batteria rimovibile, fissata con un bullone esagonale da 4 mm, per garantire un fissaggio solido a prova di vibrazioni.



- Rimuovi la vite di fissaggio del coperchio di protezione e la piastra di protezione.

- Scollega il connettore di alimentazione dalla batteria.
- Rimuovi la vite di fissaggio della batteria. Attenzione! Non far cadere la batteria.
- Estrai la batteria dal tubo obliquo.



## Installazione

Inverti i passaggi precedenti, facendo attenzione ad allontanare il cavo di alimentazione dal punto di inserimento della batteria, per evitare di danneggiarlo.

### AVVERTENZA:

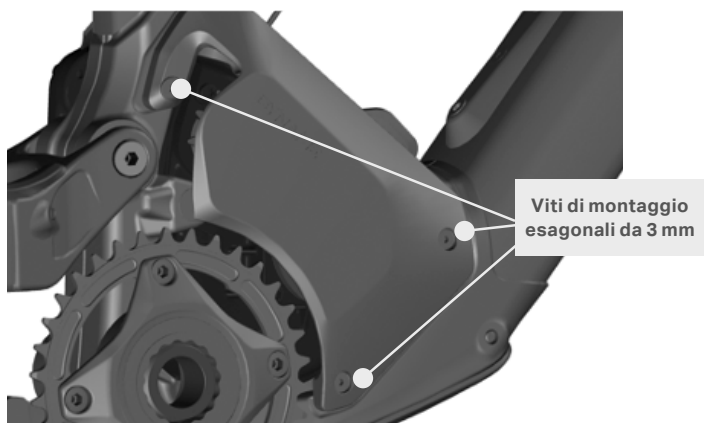
Un cavo di alimentazione danneggiato può essere pericoloso e causare scosse elettriche, incendi o lesioni.

# Motore

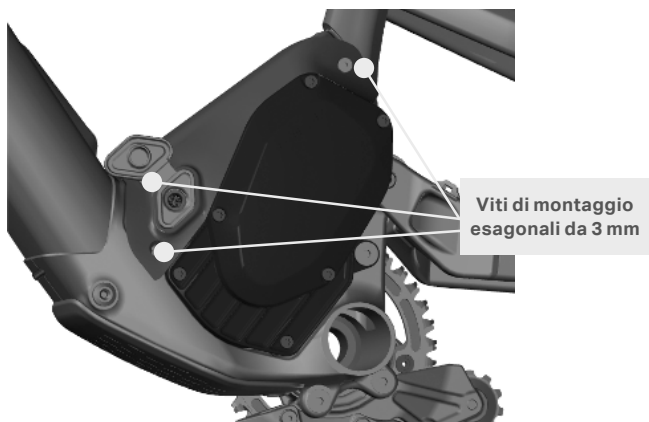
## Rimozione della trasmissione

Per rimuovere il motore dal telaio, segui questi passaggi

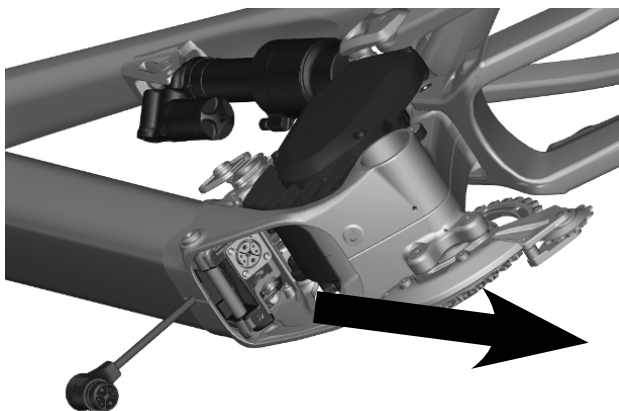
- Spegni la bicicletta.
- Svita le tre viti di montaggio e rimuovi il coperchio del motore lato trasmissione.



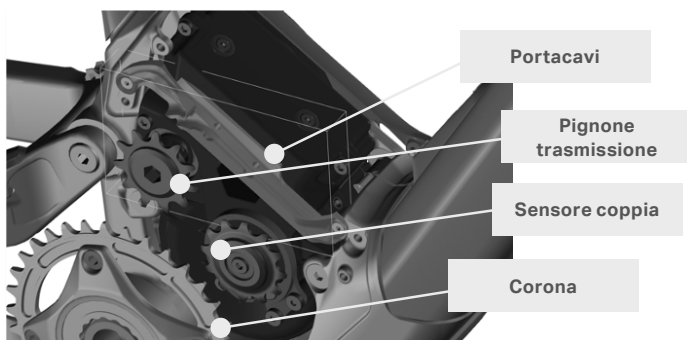
- Svita le tre viti di montaggio e rimuovi il coperchio del motore dal lato non di trasmissione.



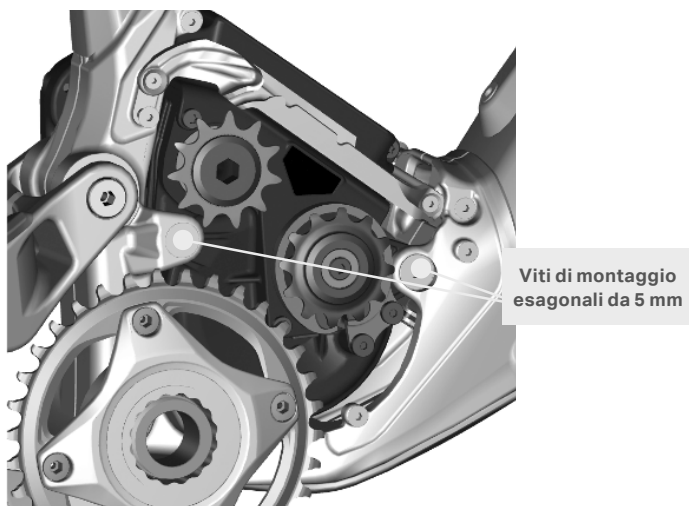
- Rimuovi la batteria come indicato in precedenza (pagina 14).



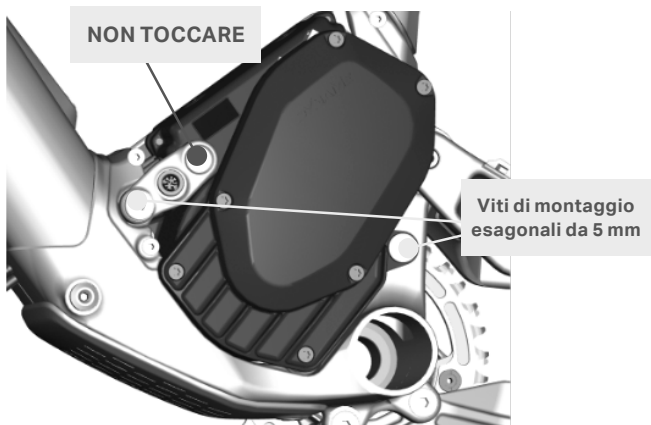
- Sul lato trasmissione, individua il portacavi. Rimuovi le fascette e scollega il sensore di velocità (connettore GIALLO).
- Rimuovi la catena dalla corona, dal pignone di trasmissione e dal sensore di coppia.



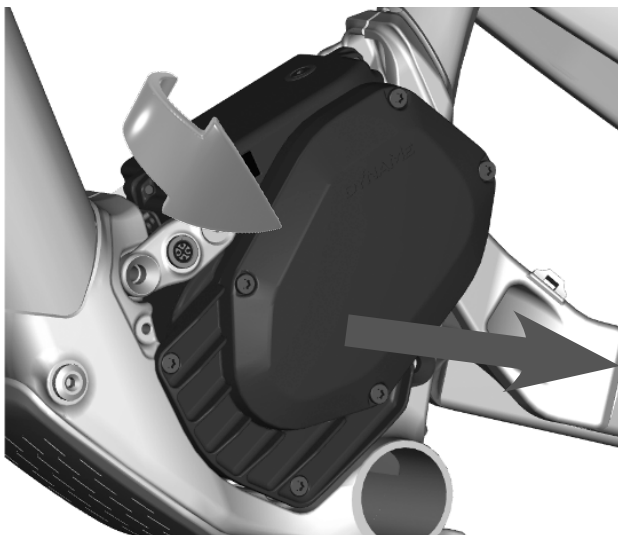
- Rimuovi le due viti di montaggio che fissano il motore sul lato non di trasmissione.



- Rimuovi le due viti di montaggio che fissano il motore sul lato non di trasmissione. Nota che la porta di ricarica rimane sulla staffa di montaggio con il motore. Non rimuovere questa vite esagonale da 5 mm.



- Scollega l'unità di controllo remoto (connettore ROSSO).
- Rimuovi l'intero motore dal lato non di trasmissione, ruotandolo leggermente per evitare che il pignone di trasmissione urti il telaio.



Per reinstallare il motore, basta invertire tutti i passaggi precedenti, facendo riferimento alle specifiche di coppia qui sotto.

- Viti di montaggio motore: 14 Nm
- Viti di montaggio coperchio: 1,5 Nm

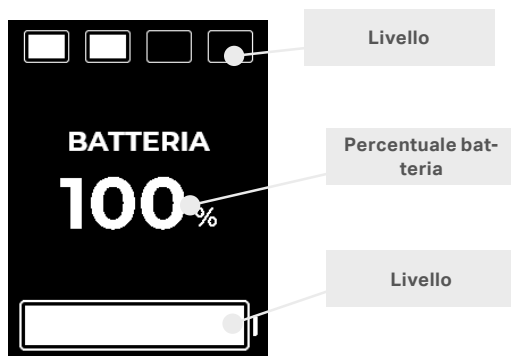
## Schermate di guida

A seconda della selezione, la schermata visualizzerà un tipo di informazioni, continuando comunque a mostrare i dati critici.

### Vista velocità

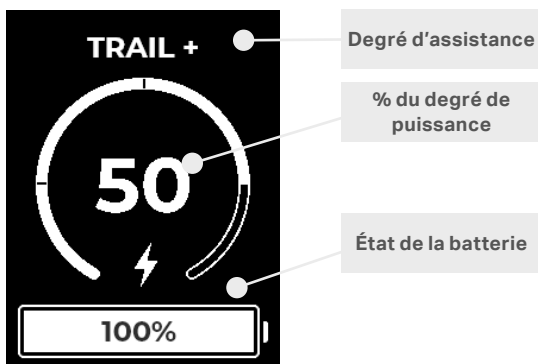


### Vista batteria

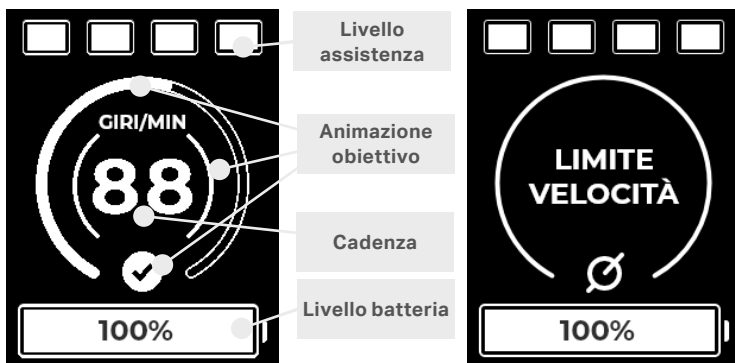




## Vista assistenza

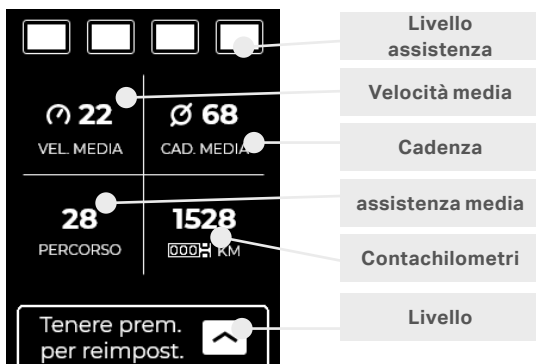


## Vista cadenza



Nota: la cadenza è stimata in base ai giri/min del motore. Questo significa anche che quando il motore è fermo (ad es: sopra la velocità massima), la cadenza non

## Vista contachilometri/giro



## Reimpostazione

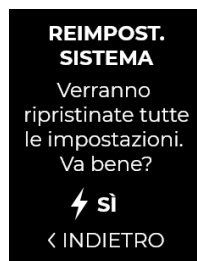
Il ciclista può sempre reimpostare le informazioni sul giro (velocità media, cadenza media, distanza), nonché ripristinare le impostazioni originali di fabbrica del sistema Dyanme.

### Reimpostazione giro



Nella vista del contachilometri, tieni premuto il pulsante SU del TMI

**oppure**



Da qualsiasi schermata di guida, vai al menu principale TENENDO PREMUTO . ⚡  
Vai a Impostazioni - Reimpost. sistema.

## Modalità cammino

La Powerplay™ ha una modalità cammino che puoi utilizzare in caso di necessità. La trasmissione Powerplay™ è in grado di assistere la bicicletta a una velocità da cammino. Sull'unità di controllo remoto tieni premuto il pulsante (A). La bicicletta procederà lentamente in salita mentre tieni premuto il pulsante.

⚠ La modalità cammino non può essere utilizzata mentre il ciclista è sulla bicicletta. Puoi usare la modalità cammino solo quando cammini a fianco della bicicletta.

## Spegnimento

Per spegnere la trasmissione Powerplay™, tieni premuto il pulsante sul Jumbotron. Se la bicicletta viene lasciata inutilizzata per 10 minuti, si spegne automaticamente per risparmiare energia.

## Note

---

### Danneggiamento dell'unità di controllo remoto

Nel caso in cui l'unità di controllo remoto si danneggi e smetta di funzionare, il ciclista può continuare a usare la bicicletta e a cambiare modalità di assistenza utilizzando il Jumbotron. NOTA: i menu e le regolazioni non sono accessibili tramite il Jumbotron, senza l'unità di controllo remoto.

### Autonomia

La distanza per la quale la batteria è in grado di alimentare il sistema di trasmissione varia a seconda di diversi fattori, come il livello di assistenza e la modalità di boost selezionati, la temperatura ambiente, l'accelerazione, la resistenza del vento, le condizioni di manutenzione, l'età della batteria, i dislivelli e le asperità del terreno e/o il peso del ciclista.

### Suggerimenti di guida

- La trasmissione Powerplay™ eroga una potenza uniforme e naturale alla ruota posteriore e funziona al meglio nelle condizioni seguenti.
- Preferire una pedalata uniforme e costante, invece di dare colpi ai pedali.
- Cambiare spesso rapporto, per mantenere una cadenza tra 80 e 120 giri al minuto, che consente un'efficienza ottimale del motore e il raggiungimento di una coppia elevata e delle massime prestazioni della batteria. Usa la vista cadenza sul Jumbotron, che informa il ciclista quando sta pedalando nella zona di massima efficienza.
- Quando cambi i rapporti, presta attenzione a:
  - Ridurre la pressione sui pedali prima di cambiare per evitare di sollecitare eccessivamente la catena.
  - Non cambiare più di un rapporto alla volta.

## Interventi

### Diagnostica e riparazioni

Il Jumbotron può visualizzare messaggi di errore e, in alcuni casi, fornire al ciclista istruzioni per riparare il sistema.

#### Esempio



### Calibrazione

Occasionalmente può essere necessaria una procedura di calibrazione per mantenere le prestazioni del sistema di trasmissione. Di solito questo viene fatto ogni volta che viene sostituito un componente della trasmissione (catena, ingranaggio, pignone, ecc.) o il motore viene reinstallato nel telaio.



## Risoluzione dei problemi

Per la risoluzione dei problemi rivolgiti al tuo rivenditore locale. Il display Jumbotron può generare codici di errore per la diagnostica. Quando appare un codice d'errore, il sistema visualizzerà istruzioni. In alcuni casi può essere possibile effettuare una riparazione sul posto, in altri casi il ciclista potrebbe doversi rivolgere al rivenditore autorizzato. Alcuni errori attivano una modalità a potenza ridotta che permette al ciclista di tornare a casa.

## Standard per la staffa inferiore

La trasmissione Powerplay™ usa un fissaggio a pressione BB92.

NOTA:

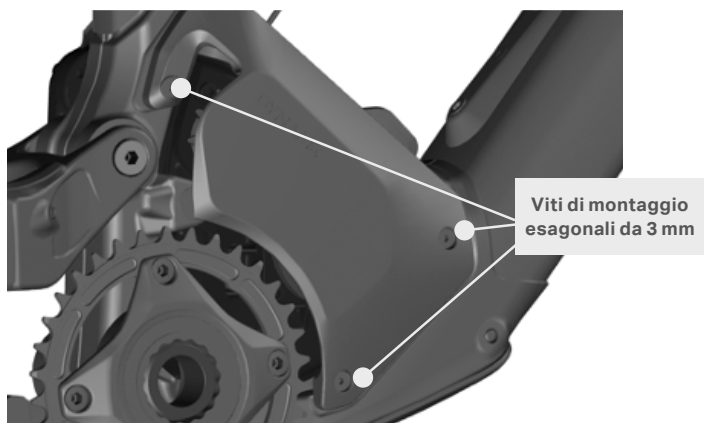
- In questo modo viene lasciato uno spazio sul mandrino Race Face per la crociera della frizione.
- UTILIZZARE LA CROCIERA CORRETTA PER LA CORONA RACE FACE O SRAM EAGLE. QUESTE SONO LE UNICHE CORONE APPROVATE

## Passaggio dei cavi

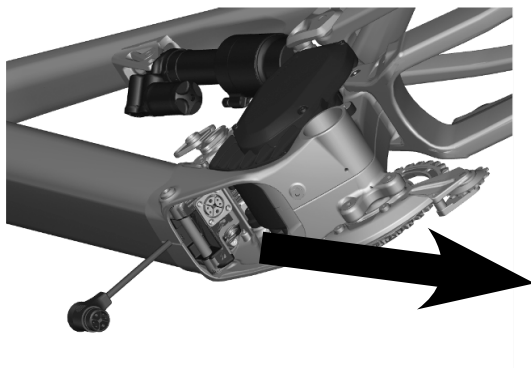
### Cavo del cambio

Per sostituire la guaina usurata del cavo del cambio, segui questi passaggi:

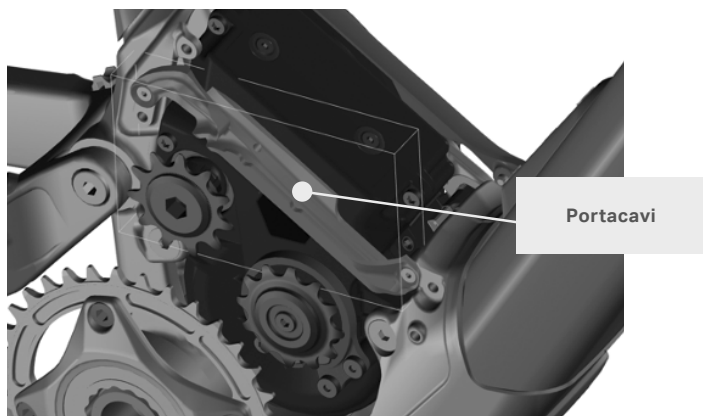
- Svita le tre viti di montaggio e rimuovi il coperchio del motore lato trasmissione.



- Rimuovi la batteria come indicato in precedenza (pagina 14).



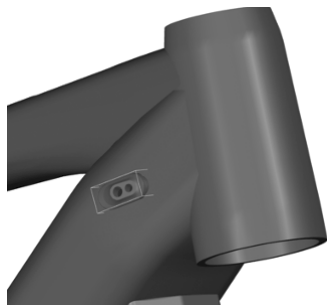
- Taglia e rimuovi le fascette che fissano i cavi e i fili al portacavi sul lato trasmissione del motore. PRENDI NOTA DELLA POSIZIONE DELLA GUAINA SUL PORTACAVI.



- Allenta la vite esagonale da 3 mm tra i bulloni della borraccia, che a sua volta allenta il raccoglicavi che si trova ALL'INTERNO del tubo obliquo. Puoi estrarre i cavi dai lati del raccoglicavi, all'interno del tubo obliquo.



- Rimuovi il coperchio (in carbonio) o il gommino (in lega) del raccoglicavi sul lato destro del tubo obliquo.



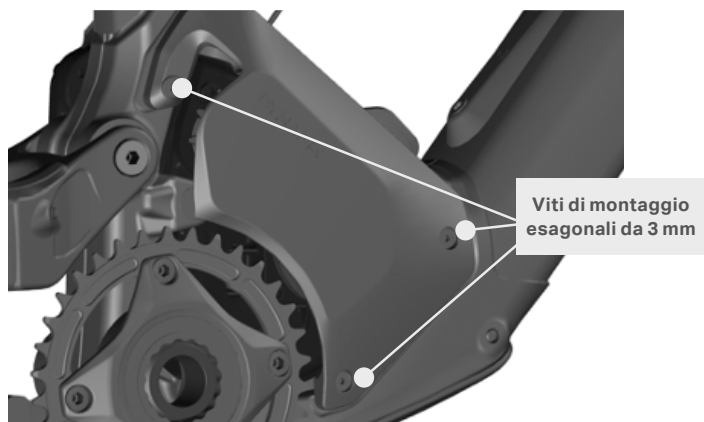
- Rimuovi la vecchia guaina e il cavo.
- Procedendo dalla parte POSTERIORE a quella ANTERIORE, inserisci la guaina del cambio nella parte posteriore del fodero orizzontale.
- Fai passare la guaina del cambio nel portacavi e nel tubo obliquo.
- Fai passare la guaina del cambio fino alla parte anteriore della bicicletta, facendola fuoriuscire dalla porta.
- Fai passare la guaina del cambio nel raccoglicavi, tira e fissa il raccoglicavi nel tubo obliquo con la vite esagonale da 3 mm.
- Fissa i cavi e i fili al portacavi sul lato trasmissione del motore con fascette.
- Installa la guida del cavo del perno principale.
- Taglia e regola il cavo del cambio e la guaina.
- Reinstalla il coperchio o il gommino del raccoglicavi.
- Reinstalla la batteria.



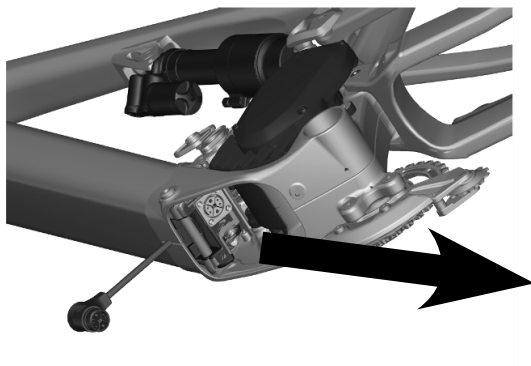
## Tubo del freno

Per sostituire un tubo del freno posteriore, segui questi passaggi:

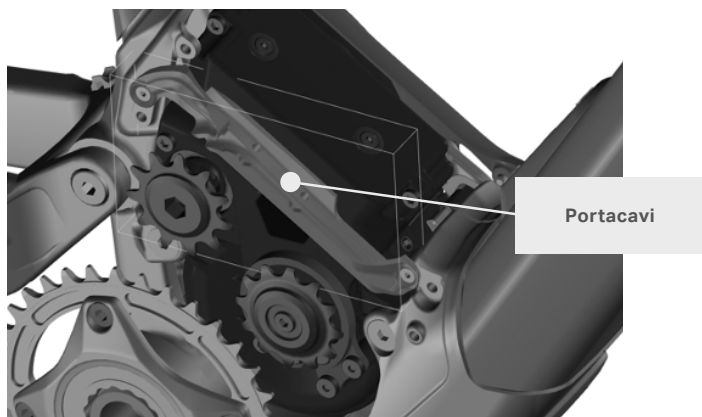
- Svita le tre viti di montaggio e rimuovi il coperchio del motore lato trasmissione.



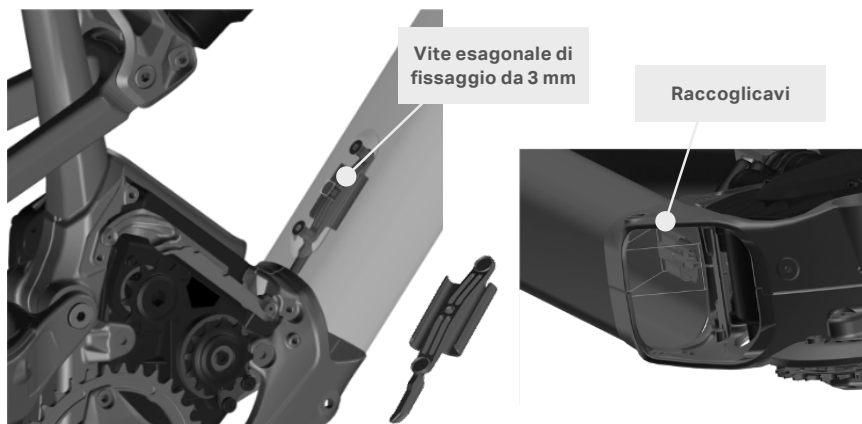
- Rimuovi la batteria come indicato in precedenza (pagina 14).



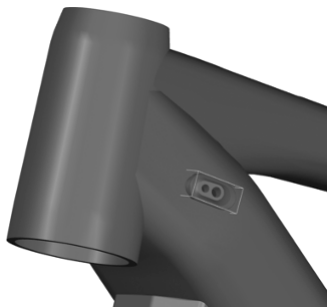
- Taglia e rimuovi le fascette che fissano i cavi e i fili al portacavi sul lato trasmissione del motore. PRENDI NOTA DELLA POSIZIONE DEL TUBO SUL PORTACAVI.



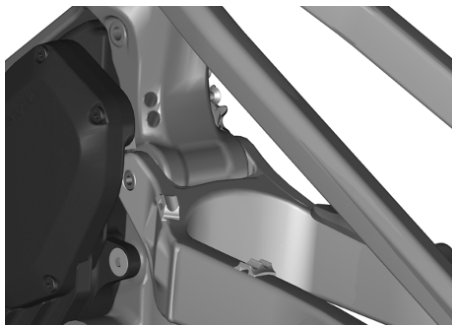
- Allenta la vite esagonale da 3 mm tra i bulloni della borraccia, che a sua volta allenta il raccoglicavi che si trova ALL'INTERNO del tubo obliquo. Puoi estrarre i cavi dai lati del raccoglicavi, all'interno del tubo obliquo.



- Rimuovi il coperchio (in carbonio) o il gommino (in lega) del raccoglicavi sul lato sinistro del tubo obliquo.



- Rimuovi il vecchio tubo. Misura il nuovo tubo per avere una lunghezza corrispondente.
- Procedendo dalla parte posteriore a quella anteriore, installa il tubo sulla pinza e fallo scorrere lungo il fodero orizzontale fino al foro inferiore sul retro del tubo piantone.



- Fai passare il tubo del freno nella parte superiore del portacavi e nel tubo obliquo.
- Fai passare il tubo del freno nel raccoglicavi, tira e fissa il raccoglicavi nel tubo obliquo con la vite esagonale da 3 mm.
- Fissa il tubo, i cavi e i fili al portacavi sul lato trasmissione del motore con fascette.
- Estrai il tubo del freno dal foro della porta laterale sinistra vicino al tubo sterzo e reinstalla il coperchio o il gommino.
- Reinstalla il coperchio del motore lato trasmissione.
- Reinstalla la batteria.

## Manutenzione generale

---

Tieni presente che le biciclette elettriche a pedalata assistita causano più stress e sollecitazioni sui componenti rispetto alle mountain bike tradizionali. I controlli e la manutenzione devono quindi essere eseguiti più spesso per massimizzare sicurezza, prestazioni e durata.

### Carica stagionale

Se tieni la bicicletta inutilizzata per lunghi periodi di tempo, assicurati di caricare la batteria almeno una volta ogni tre mesi. In caso contrario, la batteria può danneggiarsi e perdere capacità. Dopo un mese di mancato utilizzo, la batteria entra in modalità di protezione. Per riattivare la batteria, collegala al caricabatterie.

Un buon modo per ricordarsi di ricaricare una batteria non utilizzata è impostare dei promemoria nel computer o nello smartphone.

### Pulizia

Una bicicletta pulita è una bicicletta felice. Il modo migliore per pulire una bicicletta sporca è con un secchio di acqua calda saponata. Evita di usare una lancia ad alta pressione. NOTA: non spruzzare acqua direttamente su nessun componente elettrico.

### Manutenzione preventiva

#### Pulizia della trasmissione e controllo dello stato di usura.

- Catena
- Rapporti
- Pulegge (ruota folle inferiore, pulegge del deragliatore)
- Corona
- Pignone trasmissione

#### Controlla i bulloni e i dispositivi di fissaggio

- Tutti i dispositivi di fissaggio standard della bicicletta: perni, stelo, viti delle pedivelle, bulloni della corona
- Supporti del motore
- Supporto del sensore di coppia
- Prigioniero della batteria
- Controllo della tensione dei raggi
- Ispezione delle pastiglie dei freni e dei rotori
- Mantenere la porta di ricarica pulita/chiusa

## Manutenzione

Lista di controllo per la regolazione e la manutenzione periodica	Lista di controllo					Notes
	500KM	1000KM	1500KM	2000KM	2500KM	
Catena della bicicletta - controllare l'usura, pulire e lubrificare	Prima di ogni utilizzo					Controllare lo stato (tensione, incrinature) e lubrificare
Porta di ricarica	Prima di ogni ricarica					Controllare se vi sono infiltrazioni d'acqua, corrosione o sporcizia e verificare l'allineamento dei piedini
Sensore di coppia - calibrazione						OPPURE ogni volta che si sostituisce un componente del sistema di trasmissione
Viti di montaggio motore	●	●	●	●	●	Controllare che la coppia di serraggio sia adeguata
Pignone trasmissione e ghiera	●	●	●	●	●	Controllare lo stato; sostituire quando l'usura raggiunge il limite
Sensore coppia e ruota folle inferiore	●	●	●	●	●	Controllare se ci sono incrinature o danni
Carter e coperchi del motore		●		●		Controllare se ci sono incrinature o danni
Cavi del motore		●		●		Controllare se ci sono danni alla guaina isolante o ai connettori
Alloggiamento batteria	Ispezionare ogni volta che la batteria non è inserita nella bicicletta					Controllare se ci sono danni all'alloggiamento o ai connettori
Unità di controllo remoto sul manubrio e cavo	●	●	●	●	●	Controllare se ci sono danni all'alloggiamento o ai connettori
Display sul tubo orizzontale e cavo	●	●	●	●	●	Controllare se è allentato e se lo schermo è danneggiato
Cavo di prolunga del tubo obliquo	●	●	●	●	●	Controllare se ci sono danni all'alloggiamento o ai connettori
Sensore di velocità e cavo	Ispezionare ogni volta che la ruota è smontata dalla bicicletta					Controllare se ci sono danni all'alloggiamento o ai connettori; verificare che i magneti siano ben fissati
Catena - pulire e lubrificare		●		●		Controllare lo stato e lubrificare
Catena - sostituire	Sostituire ogni 2500 KM					Controllare lo stato per evitare rumori e usura interna del motore
Cuscinetto frizione del motore - sostituire	Sostituire ogni 2500 KM					Controllare il funzionamento del cuscinetto
Cuscinetto frizione del motore - sostituire	Sostituire ogni 2500 KM					Controllare il funzionamento del cuscinetto

## Trasporto

---

Il trasporto e/o la spedizione della tua bicicletta dotata di trasmissione Powerplay™ possono essere soggetti a restrizioni e richiedere procedure speciali di movimentazione, etichettatura e/o imballaggio. Informati in anticipo su tutti i requisiti legali del tuo paese. Quando trasporti la bicicletta su un'auto, se la batteria viene rimossa, assicurati che tutti i collegamenti siano coperti per evitare contaminazioni da detriti stradali, acqua e sale.

## Registrazione

---

La procedura di registrazione della tua bicicletta è il modo ufficiale di accoglierti nella famiglia Rocky Mountain. È inoltre una tappa importante per attivare la garanzia della tua bicicletta. Nel caso in cui si verificasse un problema, potremo gestire il tuo caso in maniera efficiente e farti risalire in sella il più presto possibile. La procedura di registrazione è semplice e richiede solo alcuni minuti.

**Registra la tua bicicletta : [bikes.com/register](https://bikes.com/register)**

## Informazioni sulla garanzia

La tua bicicletta Powerplay™ è garantita contro i difetti dei materiali e di fabbricazione come da tabella seguente:

Categoria	Termine	Note
Componenti del telaio	5 anni	Triangolo anteriore + triangolo posteriore
Hardware	1 anno	Perni, assi, ecc.
Elettronica	3 anni	Trasmissione, unità di controllo remoto, jumbotron, sensori, caricabatterie
Parti della trasmissione soggette a usura	1 anno	Pulegge, pignoni, catena e cuscinetti
Batteria	24 mesi	<p>La trasmissione Powerplay™ ridurrà progressivamente la potenza in uscita per massimizzare l'autonomia, man mano che la batteria si esaurisce.</p> <p>L'autonomia varia a seconda di diversi fattori, come il livello di assistenza, la temperatura ambiente, l'accelerazione, la resistenza del vento, le condizioni di manutenzione, l'età della batteria, i dislivelli e le asperità del terreno e/o il peso del ciclista.</p> <p>Se tenuta inutilizzata per più di 3 mesi, ricaricare la batteria ogni 3 mesi. In caso contrario, la batteria può danneggiarsi e causare l'annullamento della garanzia.</p>
Componenti	Come previsto nella garanzia originale del fabbricante	

Tutti i servizi in garanzia e postvendita devono essere gestiti dal rivenditore autorizzato che ti ha venduto il telaio o la bicicletta completa. Il tuo telaio Rocky Mountain è coperto da garanzia per i difetti dei materiali e lavorazione a partire dalla data di acquisto originale della tua nuova bicicletta Rocky Mountain in base al materiale del telaio e al tipo di utilizzo.

### Materiale del telaio / tipo di utilizzo

- Fibra di carbonio: 5 anni - Limitata\*
- Alluminio - ammortizzato davanti e completamente ammortizzato: 5 anni - Limitata\*
- Si rimanda alle limitazioni indicate di seguito.

## La garanzia copre i difetti dei materiali e di fabbricazione

- Rivestimento – vernice e decalcomanie: 1 anno
- Hardware del telaio, sospensioni, perni e bronzine: 1 anno
- Perni e bronzine: 6 mesi

### NOTA: La garanzia non è valida nei casi seguenti:

- Le biciclette utilizzate precedentemente per attività commerciali, come il noleggio, e l'uso da parte di corrieri, forze dell'ordine, servizi di sicurezza, ecc.
- L'installazione di componenti, parti o accessori che non sono originariamente destinati o compatibili con la bicicletta (o il telaio) venduta.
- L'acquisto di una bicicletta Rocky Mountain da un rivenditore non autorizzato.
- L'acquisto di una bicicletta o di un telaio Rocky Mountain da siti Internet di terze parti (come eBay), indipendentemente da ciò che dicono gli annunci pubblicitari su tali siti.

### Dettagli di cosa non è coperto dalla garanzia:

- A. Non sono coperti l'usura e consumo normali di pneumatici, tubolari, freni, cavi degli ingranaggi, pattini dei freni, ecc. Il tuo rivenditore autorizzato Rocky Mountain ti darà le informazioni necessarie sulla normale manutenzione di tali componenti.
- B. Danni consequenziali o qualsiasi danno causato da incidenti, uso improprio o abuso.
- C. Montaggio improprio e/o mancanza di manutenzione adeguata, sabbatura, rettifica, spazzolatura, riempimento, saldatura, brasatura, trapanazione di fori, anodizzazione, riverniciatura o cromatura: non sono coperti dalla garanzia e possono annullare la garanzia dei fabbricanti dei componenti.
- D. L'utilizzo della bicicletta su terreni estremamente difficili come quelli che si vedono nei video di mountain bike (piste di trial, rampe, acrobazie, piste di BMX, scale, terrapieni, ecc.) è estremamente pericoloso e annulla la garanzia descritta nella tabella precedente. È importante notare che la piegatura di componenti, telai, forcelle, manubri, reggisella, pedali, pedivelle e i raggi delle ruote è un segno di incidente e/o abuso.
- E. È esclusa la manodopera per la sostituzione dei componenti.
- F. Rocky Mountain si riserva il diritto di riparare o sostituire a sua discrezione qualsiasi parte considerata validamente coperta da garanzia. Notare che Rocky Mountain non può garantire la corrispondenza dei colori.

## ESCLUSIONE E LIMITAZIONE DEI DANNI:

LA GARANZIA DI ROCKY MOUNTAIN SI LIMITA ALLA RIPARAZIONE O SOSTITUZIONE DEI PRODOTTI E NON FORNISCE ALCUNA GARANZIA, ESPRESSA O IMPLICITA, LEGALE O CONVENZIONALE, E RECLAMO RIGUARDANTE QUALSIASI GARANZIA IMPLICITA DI COMMERCIALITÀ O DI IDONEITÀ A FINI PARTICOLARI, E ROCKY MOUNTAIN IN NESSUNA CIRCOSTANZA SARÀ RESPONSABILE PER DANNI DIRETTI O INDIRETTI, SPECIALI, INCIDENTALI O CONSEQUENZIALI, ANCHE QUANDO ROCKY MOUNTAIN È STATA AVVISATA DI TALI DANNI, E LA RESPONSABILITÀ DI ROCKY MOUNTAIN SI LIMITERÀ A \$ 50,00.



## Dichiarazione di conformità

---

I seguenti modelli di biciclette dotati di Powerplay™ soddisfano i requisiti delle normative elencate di seguito.

Rocky Mountain Altitude Powerplay™ Rocky Mountain Instinct Powerplay™

Per un elenco completo dei modelli vai al sito [www.bikes.com](http://www.bikes.com).

- EN 15194:2017: Cicli elettrici a pedalata assistita – Biciclette EPAC
- ISO 4210-2:2015: Cicli – Requisiti di sicurezza e procedure di prova per mountain bike
- IEC/EN 62133-2:2017: Requisiti e prove per il funzionamento sicuro di pile e batterie al litio secondarie sigillate portatili. Parte 2: Sistemi al litio

### **Produttore**

#### **Rocky Mountain**

**una divisione di Industries RAD inc.**

9095, 25e Avenue

Saint-Georges (Québec) G6A 1A1

2021/10/27

## Brevetti

---

Le bici Powerplay™ possono essere coperte da uno o più di questi brevetti:

- Dymame System  
USA: US9643683B2  
EUROPE: EP2957496B1  
CANADA: CA2894856C
- Toque Sensor  
USA: US10583893B2  
EUROPE: in attesa di  
CANADA: in attesa di



LOVE THE RIDE

**Development Centre**  
**Centre de développement**  
**Entwicklungszentrum**  
**Centro di Sviluppo**

1225 East Keith Road, Unit #10  
North Vancouver, BC, Canada, V7J 1J3  
T. 604-980-9938 F. 604-980-9975

**Head Office**  
**Siège social**  
**Hauptsitz**  
**Sede Centrale**

9095, 25th Avenue,  
St-Georges, QC, Canada, G6A 1A1  
T. 1-800-663-2512 F. 1-800-570-8356

*Rocky Mountain, its logo and other trade names are registered trademarks.  
Some technologies on Rocky Mountain products are patented or patent pending.*

*Rocky Mountain, son logo et ses autres noms commerciaux sont des marques déposées.  
Les produits Rocky Mountain sont munis de technologies brevetées ou en instance de brevet.*

*Rocky Mountain, unser Logo und andere Handelsnamen sind eingetragene Warenzeichen. Einige  
Technologien der Rocky Mountain Produkte sind patentiert oder zum Patent angemeldet.*

*Rocky Mountain, il suo logo e gli altri nomi commerciali sono marchi registrati.  
Alcune tecnologie presenti sui prodotti Rocky Mountain sono brevettate o in attesa di brevetto.*